



Dial Manufacturing, Inc.

Evaporative Cooling • Air Conditioning



CATALOG

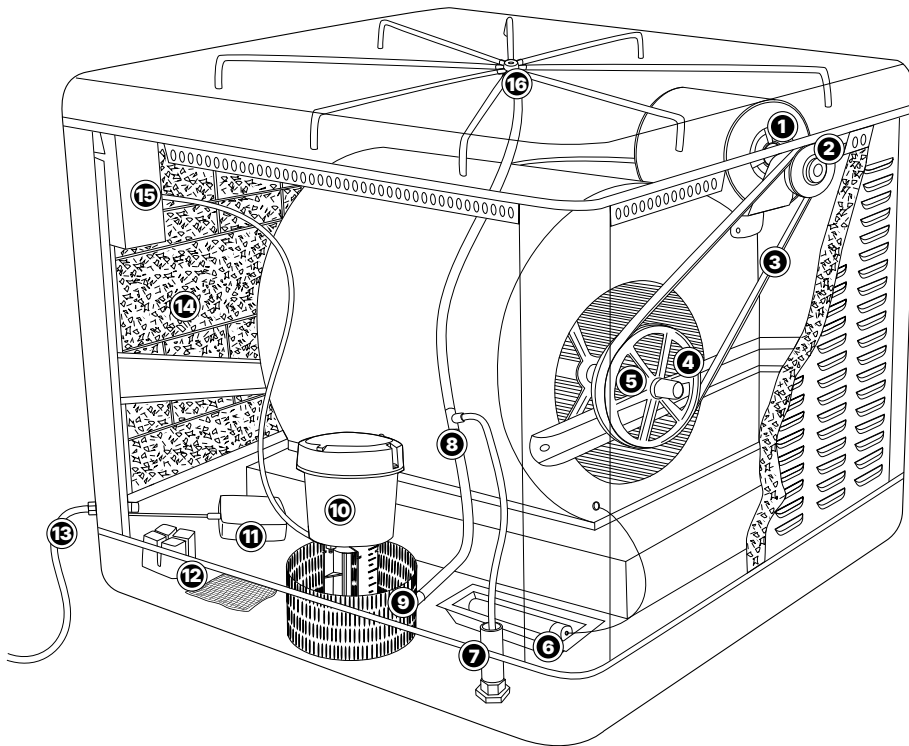
Dial Manufacturing, Inc. provides high-quality portable evaporative coolers, mini-split air conditioners, and replacement parts and accessories for evaporative coolers.



1-800-350-DIAL • www.dialmfg.com

FAMILY OWNED & OPERATED SINCE 1965

EVAPORATIVE COOLER PART IDENTIFICATION



1. Motor
2. Motor Pulley
3. V-Belt
4. Blower Pulley
5. Bearing, Collar & Shaft
6. Anode Kit
7. Drain & Overflow Pipe
8. Bleed Tee
9. Pump Basket / Filter Screen
10. Pump
11. Float Valve
12. Water Conditioner & Air Freshener
13. Water Supply
14. Cooler Pads
15. Electrical
16. Water Distribution

EVAPORATIVE COOLER PARTS

PUMPS	1-3
MOTORS & MOTOR ACCESSORIES	4-7
PADS & RIGID MEDIA	8-13
FLOAT VALVES & PUMP SCREENS	14
TUBING & PUMP HOSE	15
WATER SUPPLY & DISTRIBUTION	16-17
COOLER MAINTENANCE	18-19
PULLEYS	20-22
V-BELTS	23-24
BEARINGS, SHAFTS, COLLARS & WASHERS	25-26
ELECTRICAL	27-28
THERMOSTATS	29
UP-DUX, LEG KITS & ROOF JACKS	30-31
DRAINS & OVERFLOW PIPES	32
ADAPTERS & SILL COCKS	33
BRASS FITTINGS & VALVES	34-36
COOLER COVERS & COVER ACCESSORIES	37-39
PORTABLE EVAPORATIVE COOLERS	40-41
MINI-SPLIT AIR CONDITIONERS	42

DISCLAIMER

- Dial Manufacturing, Inc. is an independent manufacturer of replacement parts for evaporative coolers and is not affiliated with any cooler manufacturer.
- Dial Manufacturing, Inc. follows a policy of continuous product improvement and reserves the right to change design and specifications without prior notice or liability.

ALPINE™, ARCTIC CIRCLE™, ADOBEAIR™, CHAMPION®. CLEANMACHINE®, COMFORTCOOL™, MARQUIS™, MASTERCool®, MASTERCool II®, MCGRAW™, MOBILE MASTERCool®, ULTRA-Cool® and WISPER COOL™ are trademarks or registered trademarks of Champion Cooler Corp. ESSICK® and TRADEWINDS™ are trademarks or registered trademarks of Essick Air Products, Inc. AEROCOOL®, BRISA™, FRIGIKING®, PHOENIX® are trademarks or registered trademarks of Phoenix Manufacturing, Inc. ARVIN®, UNIVERSAL™ and WRIGHT® are registered trademarks of Arvin Industries, Inc. AIREZE™ is a trademark or registered trademark of Aireze Industries, Inc. BONAIRE® and DURANGO® are registered trademarks of Climate Technologies, PTY, LTD. BREEZAIR® is a registered trademarks of F.F. Seeley Nominees Pty. Ltd. Goettl® is a trademark or registered trademark of Goettl Air Conditioning. Williams™ is a trademark of Williams Products. CELCON® is a registered trademark of the Celanese Corporation. DELRIN® is a registered trademark of DuPont Polymers, Inc. COOLER TAB™, DIAL®, DIGITAL COOLER CONTROLLER™, DIGITAL LOW VOLT CONTROLLER™, D-SCALE™, DURA-Cool™, EZI-STAT™, E-Z STRAP™, FRESH AIR™, ISO-MOUNT™, MAX AIRE™, MAX COOL®, MULTI-PITCH™, PEEL-N-SEAL™, POWER-CLEAN®, POWERCOOL®, SCALE ELIMINATOR™, SPIDER SNAKE™, UP-DUX® and VIBE-RX™ are trademarks or registered trademarks of Dial Manufacturing, Inc.

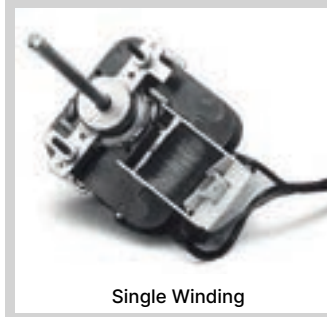
KNOW THE DIFFERENCE — CONCENTRIC VS OFFSET



Dual Windings

CONCENTRIC FEATURES

- Motor with Dual Windings
- Longer Lasting
- More Efficient
- Pumps More Water



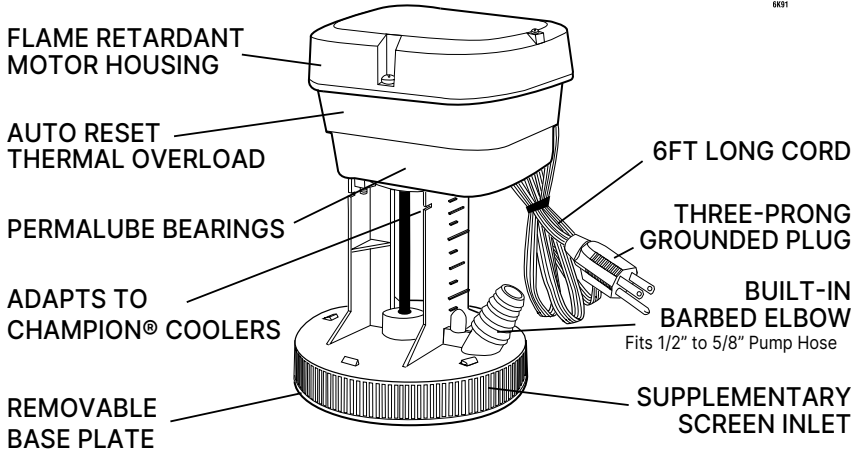
Single Winding

OFFSET FEATURES

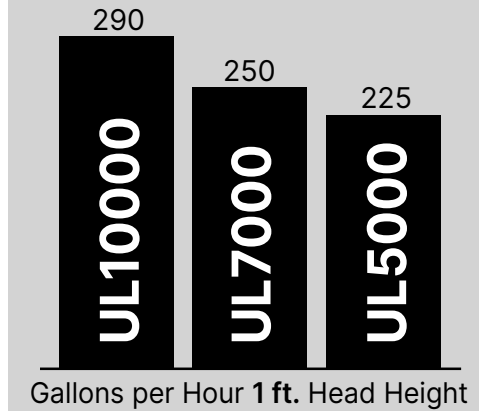
- Motor with Single Winding
- Economic Design

OFFSET PUMP

Operates in Water Reservoirs of 1/2" to 4" - Low Draw



Pump Flow Rate Performance 120 VAC, 60 HZ



90 Day Warranty

Note: Warranty does not cover water damage.

RESIDENTIAL OFFSET PUMPS

Part #	Model	CFM / GPH	Volts	Color	Approval	CTN QTY	CTN WT
1055	UL5000 Offset Pump	5,000 / 225	115V	Maroon	UL/UR	12	22.61
1075	UL7000 Offset Pump	7,000 / 250	115V	Tan	UL/UR	12	24.55
1095	UL10000 Offset Pump	10,000 / 290	115V	Gray	UL/UR	12	26.49



#1075

OFFSET REPLACEMENT PUMP KITS

- Includes Discharge Extender with Built-In Bleed Port
- One Year Warranty*

Recommended for MasterCool® EC 430/440, EC 630/640, IM 450/460; AeroCool® 4400/4800, ACD 5800/6800; UltraCool® 4500/6500; ComfortCool™ SI 5000/7000.

Part #	Model	CFM / GPH	Volts	Color	Approval	CTN QTY	CTN WT
1438	UL Replacement Pump for Single Inlet Coolers	10,000 / 290	115V	Gray	UL/UR	6	12.68

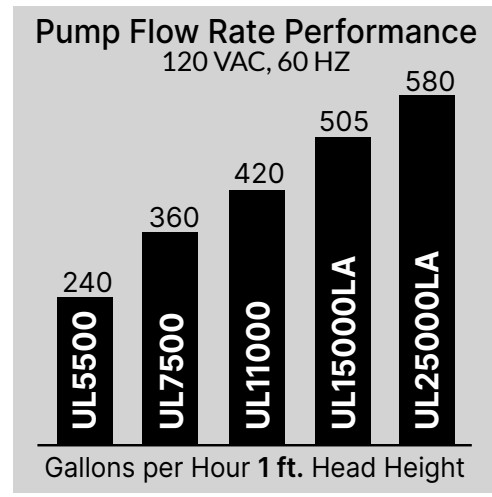
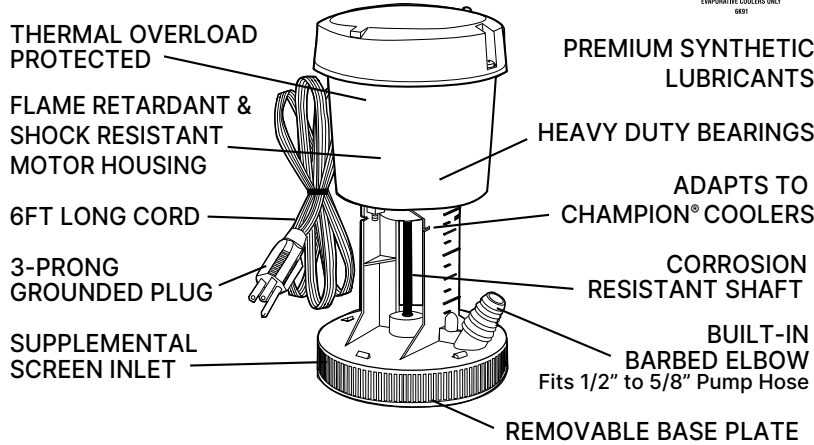
*Warranty does not cover water damage.



#1438

CONCENTRIC PUMP

Operates in Water Reservoirs of 1/2" to 4" - Low Draw



One Year Warranty

Note: Warranty does not cover water damage.

RESIDENTIAL CONCENTRIC PUMPS

Part #	Model	CFM / GPH	Volts	Color	Approval	CTN QTY	CTN WT
1150	UL5500 Premium Concentric Pump	5,500 / 240	115V	Black	UL/UR	12	24.54
1175	UL7500 Premium Concentric Pump	7,500 / 360	115V	Blue	UL/UR	12	28.78
1195	UL11000 Premium Concentric Pump	11,000 / 420	115V	Green	UL/UR	12	33.75
1279	UL7500-2 Premium Concentric Pump	7,500 / 360	230V	Orange/Gray	UL/UR	6	14.07
1286	UL11000-2 Premium Concentric Pump	11,000 / 420	230V	Orange/Gray	UL/UR	6	16.69



#1175

COMMERCIAL / INDUSTRIAL CONCENTRIC PUMPS

• Requires 5/8" or 3/4" I.D. Pump Hose

Part #	Model	CFM / GPH	Volts	Color	Approval	CTN QTY	CTN WT
1387	UL15000LA Industrial Concentric Pump	12-21,000 / 505	115V	Black/Gray	UL/UR	6	17.4
1400	UL25000LA Industrial Concentric Pump	15-25,000 / 580	115V	Black/Gray	UL/UR	6	19.0
1396	UL15000-2LA Industrial Concentric Pump	12-21,000 / 505	230V	Orange/Gray	UL/UR	6	17.5
1402	UL25000-2LA Industrial Concentric Pump	15-25,000 / 580	230V	Orange/Gray	UL/UR	6	17.9



#1396

CONCENTRIC REPLACEMENT PUMP KITS

Fits MasterCool®, Arctic Circle® & AeroCool® Residential Coolers
Includes Discharge Extender with Built-In Bleed Port, Mounting Bracket & Mesh Pump Basket

#1148 Fits MasterCool® MCP44 & Bonaire® Durango® Units
#1148 Includes Discharge Elbow, Mounting Bracket & Mesh Pump Basket

Part #	Model	CFM / GPH	Volts	Color	Approval	CTN QTY	CTN WT
1148	Narrow Profile Window Unit Pump	—	115V	Black	UL/UR	6	13.57
1442	MC8500UL Replacement Pump for MasterCool®	4-8,500 / 360	115V	Tan	UL/UR	6	14.01
1443	MC8500-2UL Replacement Pump for MasterCool®	4-8,500 / 360	230V	Orange/Gray	UL/UR	6	15.65



#1443

PUMP MOUNTING BRACKETS

Part #	Model	Description	PKG	CTN QTY	CTN WT
1513	Pump Mounting Bracket	Fits MasterCool®, Arctic Circle® and all other pump brands.	Clam	10	1



#1513

POWER-CLEAN® MINERAL AND SCALE ELIMINATION SYSTEM



#1541



Test Button Feature



System Includes:
30" x 1/2" I.D. Drain Hose,
Drain Hose Adapter, Mesh
Filter & Mounting Bracket

FITS ALL EVAPORATIVE COOLERS

- Automatic Timer Periodically Activates Pump to Flush Cooler Water
- Connects Directly to Existing Cooler Pump (Recirculating Pump)
- Saves Water When Compared to Traditional Bleed-Off System

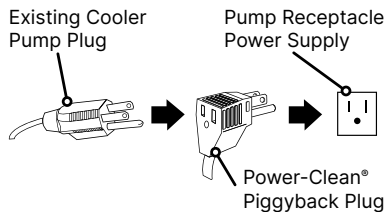
The Power-Clean® Mineral and Scale Elimination System does **NOT** replace the existing pump (recirculating pump) in your evaporative cooler! This pump must be connected to your existing cooler pump to operate.

Two Year Warranty

Note: Warranty does not cover water damage.

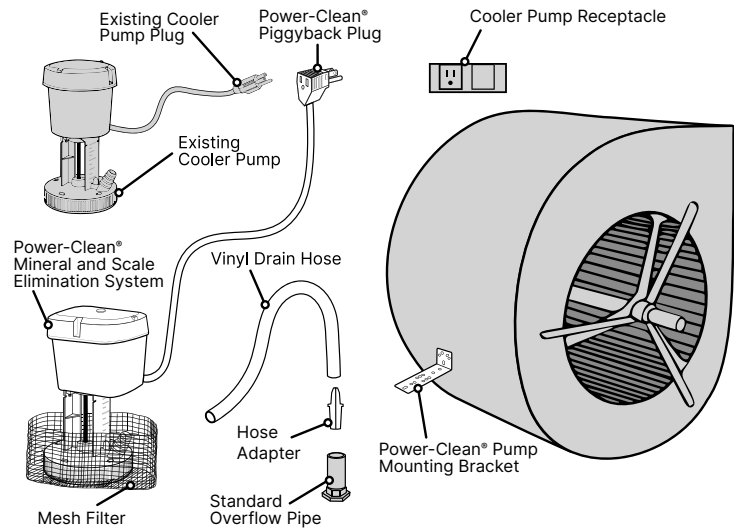
POWER-CLEAN® TEST BUTTON

The Test Button will activate the 7 minute purge cycle. Once this cycle is complete, the 8 hour purge timer will reset.



POWER-CLEAN® PIGGYBACK PLUG

Connects directly to cooler power supply and to the existing cooler recirculating pump.



PURGE PUMPS

Part #	Model	Description	GPH	Amp Rating*	PKG	CTN QTY	CTN WT
1541	115V Mineral & Scale Elimination System	Complete kit for all 115V cooler models.	170	0.7	Box	6	16.34
1543	230V Mineral & Scale Elimination System	Complete kit for all 230V cooler models.	170	0.4	Box	6	16.56

*In Tucson, Arizona; a 1.6 amp pump fuse may be required for Power-Clean® operation.

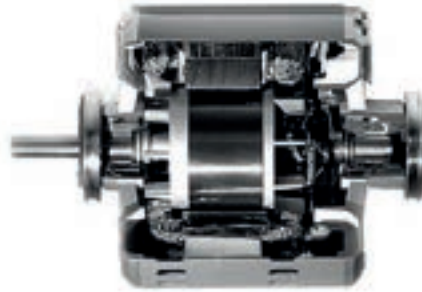
PURGE PUMP DRAIN & DRAIN ADAPTER

- Fits Standard 1/2" I.D. Vinyl Pump Hose
- Replacement for Power-Clean®, CleanMachine® and Automatic Power Cleaning System

Part #	Model	Description	PKG	CTN QTY	CTN WT
1552	Purge Pump Drain Adapter	Adapter only.	Bag	6	0.1
1556	Purge Pump Drain & Overflow Kit	Drain and overflow pipe only.	Bag	25	1.6



ENGINEERED EXCLUSIVELY FOR USE IN EVAPORATIVE COOLERS



UL Recognized Component

Mechanically and electronically approved for evaporative cooler applications.

Superior Starting Switch Features

Rust inhibiting materials and coatings provide increased motor life.

High Temperature Insulation System

Capable of withstanding temperatures over 300° F, this system reduces motor failures due to heat aging.

Automatic Reset Thermal Overload Protection

UL Recognized protector helps to prevent motor burnouts due to temporary overloads.

Premium Moisture Resistant Insulation System

Tests prove that in high moisture applications, this system has twice the life of the nearest competitor.

High Viscosity Encapsulating Varnish

Reduces winding failures and provides increased moisture resistance.

Styrenated Epoxy Coating on Rotor

Chromate free treatment prevents rust buildup and extends the life of the motor.

Permanently Lubricated Ball Bearings

Motor is permanently lubricated during production; no re-lubrication is required.

RESIDENTIAL COOLER MOTORS

- Automatic Reset Thermal Overload
- Permanently Lubricated
- NEMA 56Z Frame (No Base Included)
- One Year Warranty

- 60 Hertz / Single Phase / AC Power Only
- 1725 RPM (1-Speed) / 1725/1140 RPM (2 Speed)
- #2184, #2189, #2205 & #2206 - All Copper Windings
- Clockwise Rotation (Shaft End View)

Part #	Model	Volts	Amp Rating	Shaft Diameter	PKG	CTN QTY	CTN WT
2201	1/3 HP 1 Speed Cooler Motor	115V	6.3	1/2"	Box	1	13.16
2202	1/3 HP 2 Speed Cooler Motor	115V	6.5 / 3.9	1/2"	Box	1	14.6
2203	1/2 HP 1 Speed Cooler Motor	115V	7.6	1/2"	Box	1	14.81
2204	1/2 HP 2 Speed Cooler Motor	115V	8.4 / 4.0	1/2"	Box	1	17.64
2205	3/4 HP 1 Speed Cooler Motor	115V	10.5	1/2"	Box	1	17.68
2206	3/4 HP 2 Speed Cooler Motor	115V	10.5 / 4.8	1/2"	Box	1	20.97
2172	1/2 HP 1 Speed Cooler Motor	230V*	4.4	1/2"	Box	1	14.33
2176	1/2 HP 2 Speed Cooler Motor	230V*	4.2 / 2.0	1/2"	Box	1	16.32
2184	3/4 HP 1 Speed Cooler Motor	230V*	5.1	1/2"	Box	1	17.59
2189	3/4 HP 2 Speed Cooler Motor	230V*	5.1 / 2.5	1/2"	Box	1	20.1

*Not 208V Compatible



#2202

SINGLE INLET COOLER MOTORS

Will fit AeroCool®, UltraCool® & MasterCool® coolers.

- Automatic Reset Thermal Overload
- Permanently Lubricated
- All Copper Windings
- NEMA 56Z Frame (No Base Included)
- 60 Hertz / Single Phase / AC Power Only
- 1725 RPM (1 Speed) / 1725/1140 RPM (2 Speed)
- Clockwise Rotation (Shaft End View)
- One Year Warranty



2395

Part #	Model	Volts	Amp Rating	Shaft Diameter	PKG	CTN QTY	CTN WT
2395	1 HP 2 Speed Motor For Single Inlet Cooler	115V	13.0 / 7.0	5/8"	Box	1	31.52
2396	1 HP 2 Speed Motor For Single Inlet Cooler	230V	6.5 / 3.5	5/8"	Box	1	35.57
2397	1 HP 1 Speed Commercial Cooler Motor	115V / 230V*	13.5 / 6.8	5/8"	Box	1	31.52

*Not 208V Compatible

SINGLE INLET COOLER MOTOR KITS

Kit Includes: Adjustable Pulley, Attached 36" Motor Cord with 230VAC Standard Motor Plug & Motor Clamps
Will fit AeroCool®, UltraCool® & MasterCool® coolers.



2393

- Automatic Reset Thermal Overload
- Permanently Lubricated
- All Copper Windings
- NEMA 56Z Frame (No Base Included)
- 60 Hertz / Single Phase / AC Power Only
- 1725/1140 RPM (2 Speed)
- Clockwise Rotation (Shaft End View)
- One Year Warranty

Part #	Model	Volts	Amp Rating	Shaft Diameter	Pulley Size	PKG	CTN QTY	CTN WT
2393	1 HP 2 Speed Motor Kit For Single Inlet Cooler	115V	13.0 / 7.0	5/8"	4" x 5/8"	Box	1	31.3
2394	1 HP 2 Speed Motor Kit For Single Inlet Cooler	230V*	6.5 / 3.5	5/8"	4" x 5/8"	Box	1	31.5

*Not 208V Compatible

COOLER MOTOR KITS

Kit Includes: Adjustable Pulley, Attached 36" Molded Plug Cord & Motor Clamps

- Automatic Reset Thermal Overload
- Permanently Lubricated
- NEMA 56Z Frame (No Base Included)
- One Year Warranty
- 60 Hertz / Single Phase / AC Power Only
- 1725 RPM (1-Speed) / 1725/1140 RPM (2 Speed)
- #2564 & #2569 - All Copper Windings
- Clockwise Rotation (Shaft End View)



2530

Part #	Model	Volts	Amp Rating	Shaft Diameter	Pulley Size	PKG	CTN QTY	CTN WT
2530	1/3 HP 1 Speed Motor Kit	115V	6.3	1/2"	3 1/4" x 1/2"	Box	1	13.69
2537	1/3 HP 2 Speed Motor Kit	115V	6.5 / 3.5	1/2"	3 1/4" x 1/2"	Box	1	15.11
2545	1/2 HP 1 Speed Motor Kit	115V	7.6	1/2"	3 1/2" x 1/2"	Box	1	15
2548	1/2 HP 2 Speed Motor Kit	115V	8.4 / 4.0	1/2"	3 1/2" x 1/2"	Box	1	18.39
2564	3/4 HP 1 Speed Motor Kit	115V	10.5	1/2"	3 3/4" x 1/2"	Box	1	16.94
2569	3/4 HP 2 Speed Motor Kit	115V	10.5 / 4.8	1/2"	3 3/4" x 1/2"	Box	1	21.89

PREMIUM COOLER MOTOR KITS - IRON PULLEY

Kit Includes: Adjustable Iron Pulley, Attached 36" Molded Plug Cord & Motor Clamps

- Automatic Reset Thermal Overload
- Permanently Lubricated
- NEMA 56Z Frame (No Base Included)
- One Year Warranty
- 60 Hertz / Single Phase / AC Power Only
- 1725/1140 RPM (2 Speed)
- #2506 & #2508 - All Copper Windings
- Clockwise Rotation (Shaft End View)



2502

Part #	Model	Volts	Amp Rating	Shaft Diameter	Pulley Size	PKG	CTN QTY	CTN WT
2502	1/3 HP 2 Speed Premium Motor Kit	115V	6.5 / 3.5	1/2"	3 1/4" x 1/2"	Box	1	15.11
2504	1/2 HP 2 Speed Premium Motor Kit	115V	8.4 / 4.0	1/2"	3 1/2" x 1/2"	Box	1	18.39
2506	3/4 HP 2 Speed Premium Motor Kit	115V	10.5 / 4.8	1/2"	3 3/4" x 1/2"	Box	1	21.89
2508	1 HP 2 Speed Premium Motor Kit	115V	13.0 / 7.0	5/8"	4" x 5/8"	Box	1	31.3



INDUSTRIAL MOTORS

- High Efficiency Motors
- UL Recognized Component
- UL Certified for Energy Efficiency
- For Industrial Evaporative Coolers
- One Year Warranty

#2603

1 PHASE INDUSTRIAL MOTORS

- Suitable for 208 Volts, 60 Hertz, 1.0 Service Factor
- Resilient Mounting Design
- F Insulation Rating

- ODP Enclosure Type
- Reversible Rotation - CW Shelf State Rotation (Shaft End View)
- Auto Thermal Protection

Part #	Model	Volts	Amp Rating	RPM	Service Factor	Efficiency	Frame	Shaft Diameter	Shaft Extension	PKG	CTN QTY	CTN WT
26005	1 HP 1 Phase Industrial Motor	115V / 230V	8.4 / 4.2	1760	1.15	82.6	56H	5/8"	1 1/2"	Box	1	41.5
2601	1 1/2 HP 1 Phase Industrial Motor	115V / 230V	12.2 / 6.1	1760	1.15	83.3	56H	5/8"	1 1/2"	Box	1	49
2602	2 HP 1 Phase Industrial Motor	115V / 230V	16.8 / 8.4	1760	1.15	84.5	56H	5/8"	1 1/2"	Box	1	59

3 PHASE INDUSTRIAL MOTORS

- 60 Hertz
- F Insulation Rating
- Rigid Mounting Design (#26025 - Resilient Mounting Design)

- ODP Enclosure Type
- Reversible Rotation
- Thermostat Thermal Protection

Part #	Model	Volts	Amp Rating	RPM	Service Factor	Efficiency	Frame	Shaft Diameter	Shaft Extension	PKG	CTN QTY	CTN WT
26025	3/4 HP 3 Phase Industrial Motor	208-230V / 460V	2.4-2.4 / 1.2	1760	1.25	81.5	56H	5/8"	1 1/2"	Box	1	31.1
2603	1 HP 3 Phase Industrial Motor	*230V / 460V	3.0 / 1.5	1760	1.15	85.5	143T	7/8"	2 1/4"	Box	1	41.9
2604	1 1/2 HP 3 Phase Industrial Motor	*230V / 460V	4.2 / 2.1	1750	1.15	86.5	145T	7/8"	2 1/4"	Box	1	44.1
2605	2 HP 3 Phase Industrial Motor	*230V / 460V	6.0 / 3.0	1760	1.15	86.5	145T	7/8"	2 1/4"	Box	1	48.5
2606	3 HP 3 Phase Industrial Motor	*230V / 460V	8.42 / 4.21	1765	1.15	89.5	182T	1 1/8"	2 3/4"	Box	1	73
2607	5 HP 3 Phase Industrial Motor	*230V / 460V	13.1 / 6.55	1760	1.15	89.5	184T	1 1/8"	2 3/4"	Box	1	89
2608	7 1/2 HP 3 Phase Industrial Motor	*230V / 460V	19.0 / 9.5	1765	1.15	91	213T	1 3/8"	3 3/8"	Box	1	128
2609	10 HP 3 Phase Industrial Motor	*230V / 460V	25.0 / 12.5	1765	1.15	91.7	215T	1 3/8"	3 3/8"	Box	1	150

*Suitable for 208 Volts, 60 Hertz, 1.0 Service Factor

MOTOR CLAMPS

Part #	Model	Description	PKG	CTN QTY	CTN WT
2710	Motor Clamps (set of 2)		Bag	10	0.9
27105	Motor Clamps (set of 2)	For residential cooler motors with standard 2½" diameter resilient (rubber) mounting rings.	Bin Box/Bag	50	5.1
2715	Motor Clamps (set of 2)		Clam	10	1.1



2710

MOTOR BASE

Part #	Model	Description	PKG	CTN QTY	CTN WT
2724	NEMA 56Z Frame Motor Base for ½ - ¾ HP	Fits standard end ring distance of 7 7/16".	Label	6	9.74
2726	Motor Base for 1 HP Motor Only	Fits standard end ring distance of 9 7/16".	Label	6	10.2



2724

TENSION ADJUSTER

Part #	Model	Description	PKG	CTN QTY	CTN WT
2731	Belt/Motor Tension Adjuster		Bulk	10	1.74
2736	Belt/Motor Tension Adjuster	For coolers without a built-in adjustable motor mount.	Clam	6	1.58



2731

SHAFT KEYS

Part #	Model	Description	PKG	CTN QTY	CTN WT
2739	3/16" x 3/16" x 1 1/2" Motor Shaft Key	For 5/8" bore motor pulleys with keyway.	Clam	10	0.21
6750	1/4" x 1/4" x 1 1/2" Shaft Key	Universal blower shaft key.	Clam	10	0.33



2739

MOTOR PULLEY ADAPTER

Part #	Model	Description	PKG	CTN QTY	CTN WT
2742	½" x 5/8" Motor Pulley Adapter	Adapts 5/8" bore motor pulley to a standard ½" cooler motor shaft.	Bulk	10	0.42



2742

ASPEN SNOW-COOL — DURABLE ASPEN FIBER COOLER PAD

- New Stitched Design Prevents Sagging
- Aspen Fiber Expands to Fill Pad Frames When Wet
- For Better Cooling Performance - Replace Pads Twice per Year

INDIVIDUALLY PACKAGED ASPEN PADS

Part #	Model	Fold to Fit	Pallet QTY	Master Pack QTY	Bundle QTY	Bundle WT
3001	28" x 34" Aspen Pad	26" x 34" & 28" x 32"	504	168	24	46
3002	22" x 34" Aspen Pad	18" x 29" & 22" x 30"	672	168	24	36
3003	24" x 30" Aspen Pad	21" x 29"	672	168	24	35
3004	20" x 36" Aspen Pad	Tradewinds™ TC-451	672	168	24	35
3005	24" x 36" Aspen Pad	22" x 34" & 20" x 36"	504	168	24	28
3006	20" x 22" Aspen Pad	18" x 22"	1344	168	24	21
3007	22" x 24" Aspen Pad	20" x 22", 20" x 22" & 21" x 24"	1344	168	24	25
3008	30" x 36" Aspen Pad	30" x 35"	336	84	12	26
3009	22" x 30" Aspen Pad (Ships as PPS IP9)		672	168	24	35
3011	24" x 42" Aspen Pad	Tradewinds™ TC-571	672	168	24	48
3012	28" x 32" Aspen Pad	26" x 30"	504	168	24	43
3015	36" x 42" Aspen Pad	36" x 36"	252	84	12	36
3016	18" x 22" Aspen Pad		1344	168	24	19
3024	33" x 36" Aspen Pad	30" x 36" & 32" x 35"	336	84	12	29
3025	30" x 30" Aspen Pad (Previously PPS IP49)		504	168	24	43
3026	18" x 26" Aspen Pad (Previously PPS IP52)		1344	168	24	22
3030	32" x 40" Aspen Pad	26" x 40"	252	84	12	31
3044	24" x 26" Aspen Pad	22" x 24", 22" x 26" & 24" x 24"	504	168	24	30
3045	24" x 24" Aspen Pad	22" x 24"	1008	168	24	28
3046	29" x 29" Aspen Pad	28" x 29"	504	168	24	40
3048	26" x 34" Aspen Pad	Tradewinds™ TS-451	504	168	24	42



3002

Note: Small package carriers (e.g. UPS, FedEx, etc.) charge an additional handling fee for Aspen pads/rolls.

ASPEN ROLLS



3404

Part #	Model	Pallet QTY	PKG QTY	PKG WT
3404	20" x 288" Aspen Roll	16	1	12
3409	24" x 288" Aspen Roll	16	1	16
3410	28" x 288" Aspen Roll	16	1	20
3411	30" x 288" Aspen Roll	16	1	22
3412	36" x 288" Aspen Roll	16	1	26

Note: Small package carriers (e.g. UPS, FedEx, etc.) charge an additional handling fee for Aspen pads/rolls.

BULK PACKAGED ASPEN PADS

Part #	Model	Fold to Fit	Pallet QTY	Master Pack QTY	Bundle QTY	Bundle WT
3049	28" x 58" Aspen Pad		252	84	12	39
3051	26" x 54" Aspen Pad		252	84	12	34
3052	35" x 47" Aspen Pad		252	84	12	39
3101	28" x 34" Aspen Pad	26" x 34" & 28" x 32"	504	168	24	46
3102	22" x 34" Aspen Pad	18" x 29" & 22" x 30"	504	168	24	36
3103	24" x 30" Aspen Pad	21" x 29"	672	168	24	39
3104	20" x 36" Aspen Pad	Tradewinds™ TC-451	504	168	24	35
3105	24" x 36" Aspen Pad	22" x 34" & 20" x 36"	672	168	24	51
3106	20" x 22" Aspen Pad	18" x 22"	1344	168	24	21
3107	22" x 24" Aspen Pad	20" x 22", 20" x 22" & 21" x 24"	1344	168	24	25
3108	30" x 36" Aspen Pad	30" x 35"	336	84	12	29
3109	22" x 30" Aspen Pad (Previously 3058)		672	168	24	32
3110	22" x 50" Aspen Pad (Previously 3054)		504	84	12	26
3111	24" x 40" Aspen Pad	Tradewinds™ TC-571	504	168	24	46
3112	28" x 32" Aspen Pad	26" x 30"	504	168	24	43
3113	25" x 58" Aspen Pad		252	84	12	33
3114	18" x 30" Aspen Pad		672	168	24	26
3115	36" x 42" Aspen Pad	36" x 36"	252	84	12	77
3116	18" x 22" Aspen Pad		1344	168	24	19
3117	18" x 48" Aspen Pad (Previously 3053)	22" x 56" & 25" x 58"	432	168	24	46
3118	26" x 30" Aspen Pad		504	168	24	37
3119	20" x 27" Aspen Pad		432	168	24	26
3121	28" x 40" Aspen Pad		336	84	12	27
3124	33" x 36" Aspen Pad	30" x 36" & 32" x 35"	336	84	12	29
3130	32" x 40" Aspen Pad	26" x 40"	336	84	12	31
3132	36" x 36" Aspen Pad		336	84	12	31
3133	38" x 46" Aspen Pad		252	84	12	42
3139	14" x 22" Aspen Pad		1344	84	24	15
3140	30" x 60" Aspen Pad		252	84	12	28
3144	24" x 27" Aspen Pad (Previously 3056)	22" x 24", 22" x 26" & 24" x 24"	504	168	24	31
3145	24" x 24" Aspen Pad	22" x 24"	1344	168	24	34
3146	29" x 29" Aspen Pad	28" x 29"	504	168	24	40
3147	28" x 56" Aspen Pad (Previously 3055)		252	84	12	38
3149	30" x 30" Aspen Pad		504	168	24	43
3150	23" x 28" Aspen Pad		672	168	24	31
3151	32" x 32" Aspen Pad (Previously 3059)		336	84	12	25
3152	18" x 26" Aspen Pad		1344	168	24	22
3153	22" x 44" Aspen Pad (Previously 3050)		432	168	24	92
3154	24" x 47" Aspen Pad (Previously 3057)		504	168	24	62
3155	34" x 44" Aspen Pad		252	84	12	36
3156	25" x 33" Aspen Pad		504	168	24	40
3160	29" x 138" Aspen Pad		105	35	5	40
3165	24" x 42" Aspen Pad		504	168	24	48
3414	28" x 120" Aspen Pad		147	49	7	47
3415	28" x 138" Aspen Pad		105	35	5	39
3416	28" x 144" Aspen Pad		105	35	5	40



3145

Note: Small package carriers (e.g. UPS, FedEx, etc.) charge an additional handling fee for Aspen pads/rolls.

DURA-COOL™ — THE MOST ADVANCED COOLER PAD

DURA-COOL™ is a bonded fiber that is coated with an absorbent foam. Unlike conventional pads which decay, DURA-COOL™ can withstand hard water exposure, chlorine, disinfectants and cooler treatment chemicals.

DURA-COOL™ media will stop more airborne dust and particulates from entering your home. This means CLEANER, FRESHER air to breathe.

- Lasts Longer than Aspen Pads
- Does Not Decay or Cause Odors
- No Debris to Clog Pump
- Designed to be Cleaned & Recycled



3060

DURA-COOL™ PADS

Part #	Model	Cut to Fit	PKG	CTN QTY	CTN WT
3060	19" x 36" Dura-Cool Pad		Label	24	15.9
3062	24" x 40" Dura-Cool Pad		Label	24	20.6
3063	25" x 33" Dura-Cool Pad		Label	24	17.4
3069	24" x 36" Dura-Cool Pad	22" x 34"	Label	24	18.7
3070	24" x 30" Dura-Cool Pad	24" x 24"	Label	24	14.8
3071	28" x 32" Dura-Cool Pad		Label	24	18
3072	28" x 34" Dura-Cool Pad	28" x 32"	Label	24	20.46
3073	29" x 30" Dura-Cool Pad	29" x 29"	Label	24	19.25
3074	30" x 36" Dura-Cool Pad	28" x 34"	Label	24	22.37
3075	32" x 40" Dura-Cool Pad	32" x 35"	Label	24	26.3

Note: Dura-Cool™ pads/rolls do not qualify for UPS shipping.



3078

DURA-COOL™ ROLLS

Part #	Model	PKG	CTN QTY	CTN WT
3078	29" x 144" Dura-Cool Roll	Sleeve	5	14.33
3079	33" x 160" Dura-Cool Roll	Sleeve	5	18.21
3080	36" x 240" Dura-Cool Roll	Sleeve	5	31.7
3095	36" x 576" Dura-Cool Roll	Label	1	13.6

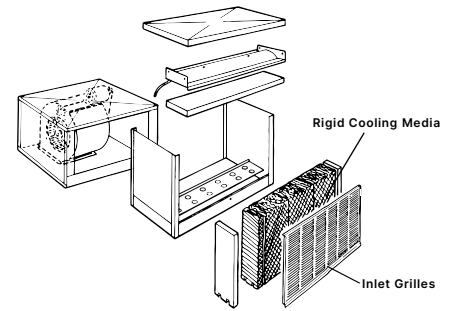
Note: Dura-Cool™ pads/rolls do not qualify for UPS shipping.

MAX COOL® — CELLULOSE EVAPORATIVE COOLING RIGID MEDIA

MAX COOL® evaporative cooling media is engineered and manufactured for optimal performance and longevity from a cellulose base impregnated with plastic resins and anti-rot agents.

The dual angle flute design of MAX COOL® rigid evaporative media allows air to pass through at a higher velocity which delivers cooler air to provide maximum comfort with low energy input.

- Consistent Performance
- Fast Wet-Out
- Heavier Paper Holds More Water
- Long Life
- High Air Velocity
- Energy Efficient



Exploded View of a Single Inlet Cooler

RIGID COOLING MEDIA FOR NARROW PROFILE COOLERS

Part #	Model	Box Contents	PKG	CTN QTY	CTN WT	DIM WT
3420	MasterCool® MCP44 (Replacement Pegs Included)	1 Piece: 24"W x 35½"H x 2"D 2 Pieces (ea): 6 ⁵ / ₁₆ "W x 35½"H x 2"D	Box	1	5.85	27
3421	Bonaire® Durango® (Replacement Pegs Included)	1 Piece: 30 ¹ / ₁₆ "W x 35 ⁷ / ₁₆ "H x 2 ³ / ₈ "D 2 Pieces (ea): 4 ¹⁵ / ₁₆ "W x 35 ⁷ / ₁₆ "H x 2 ³ / ₈ "D	Box	1	7.6	45

Note: Small package carriers (e.g. UPS, FedEx, etc.) ship rigid media products at a "dimensional weight charge".



3420



3426

2" & 3" RIGID COOLING MEDIA

Part #	Model / Dimensions	Box Contents	PKG	CTN QTY	CTN WT	DIM WT
3426	Mobile MasterCool® MMB10 (Notched) 10"W x 20¼"H x 2"D	2 Pieces (ea): 10"W x 19¼"H x 2"D 2 Pieces (ea): 10"W x 1" x 2"	Box	1	2.5	9
3427	Mobile MasterCool® MMB12 (Notched) 15¼"W x 24 ³ / ₈ " x 3"D	2 Pieces (ea): 15¼"W x 23 ⁵ / ₈ " x 3"D 2 Pieces (ea): 15¼"W x 1" x 3"D	Box	1	4.4	21
3428	Mobile MasterCool® MMB14 (Notched) 20 ¹ / ₈ "W x 28 ³ / ₈ "H x 3"D	2 Pieces (ea): 20 ¹ / ₈ "W x 27 ³ / ₈ "H x 3"D 2 Pieces (ea): 20 ¹ / ₈ "W x 1"H x 3"D	Box	1	7.25	35
3436	MasterCool® MW5500 Window View	4 Pieces (ea): 10"W x 26 ¹ / ₈ "H x 3"D	Box	1	6.75	40

Note: Small package carriers (e.g. UPS, FedEx, etc.) ship rigid media products at a "dimensional weight charge".

3½" RIGID COOLING MEDIA

Part #	Model	Box Contents	PKG	CTN QTY	CTN WT	DIM WT
3431	3½" for BreezAir® EXV 5500 / EXT 5500 / EM-1	4 Pieces (ea): 31½"W x 17½"H x 3½"D	Box	1	13.5	66
3432	3½" for BreezAir® EXV 7500 / EXT 6500 / EM-2	4 Pieces (ea): 31½"W x 25"H x 3½"D	Box	1	18.6	93

Note: Small package carriers (e.g. UPS, FedEx, etc.) ship rigid media products at a "dimensional weight charge".



3431



34371

4" RIGID COOLING MEDIA

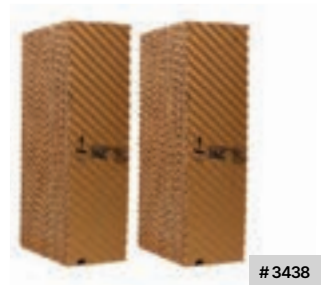
Both a Standard Density and a High Density are required to fill the frame of cooler.

Part #	Model / Dimensions	Box Contents	PKG	CTN QTY	CTN WT	DIM WT
34371	40"W x 23"H x 4"D Rigid Media (Standard Density)	2 Pieces (ea): 20"W x 23"H x 4"D	Box	1	5.49	32
34372	40"W x 23"H x 4"D Rigid Media (High Density)	2 Pieces (ea): 20"W x 23"H x 4"D	Box	1	7.49	32
34391	40"W x 30"H x 4"D Rigid Media (Standard Density)	2 Pieces (ea): 20"W x 30"H x 4"D	Box	1	7.4	41
34392	40"W x 30"H x 4"D Rigid Media (High Density)	2 Pieces (ea): 20"W x 30"H x 4"D	Box	1	9.67	41

Note: Small package carriers (e.g. UPS, FedEx, etc.) ship rigid media products at a "dimensional weight charge".

8" RIGID COOLING MEDIA

Part #	Model / Dimensions	Box Contents	PKG	CTN QTY	CTN WT	DIM WT
3437	8" for AeroCool®/MasterCool® 4800 CFM (Grooved) 40"W x 23"H x 8"D	2 Pieces (ea): 20"W x 23"H x 8"D	Box	1	11	71
3438	8" for MasterCool® 6800 CFM (Grooved) 40"W x 28"H x 8"D	2 Pieces (ea): 20"W x 28"H x 8"D	Box	1	13	75
3439	8" for AeroCool® 6800 CFM 40"W x 30"H x 8"D	2 Pieces (ea): 20"W x 30"H x 8"D	Box	1	13	81
3440	8" for UltraCool®/ComfortCool™ 5000 CFM 41¼"W x 22¼"H x 8"D	2 Pieces (ea): 20¾"W x 22¼"H x 8"D	Box	1	9.4	63
3441	8" for UltraCool®/ComfortCool™ 7000 CFM 41¼"W x 29"H x 8"D	2 Pieces (ea): 20¾"W x 29"H x 8"D	Box	1	13.2	81
3442	8" for MasterCool® Industrial ADA 100 44¾"W x 36¾"H x 8"D	3 Pieces (ea): 12"W x 36¾"H x 8"D 1 Piece: 8¾"W x 36¾"H x 8"D	Box	1	9.5	111
3443	8" for MasterCool® Industrial ADA 150 48"W x 46¾"H x 8"D	4 Pieces (ea): 12"W x 46¾"H x 8"D	Box	1	12.9	141
3460	8" for MasterCool® Industrial PM300 (Grooved) 40"W x 37¼"H x 8"D	2 Pieces (ea): 20"W x 37¼"H x 8"D	Box	1	17.2	117
3461	8" for MasterCool® Industrial PM400 (Grooved) 48"W x 44½"H x 8"D	2 Pieces (ea): 24"W x 44½"H x 8"D	Box	1	20.9	125



#3438

Note: Small package carriers (e.g. UPS, FedEx, etc.) ship rigid media products at a "dimensional weight charge".

12" RIGID COOLING MEDIA



#3452

Part #	Model / Dimensions	Box Contents	PKG	CTN QTY	CTN WT	DIM WT
3452	12" for MasterCool® / AeroCool® PM120 (Grooved) 40"W x 23"H x 12"D	2 Pieces (ea): 20"W x 23"H x 12"D	Box	1	18.15	108
3453	12" for MasterCool® PM220 (Grooved) 40"W x 28"H x 12"D	2 Pieces (ea): 20"W x 28"H x 12"D	Box	1	19.5	114
3454	12" for AeroCool® 6800 CFM 40"W x 30"H x 12"D	2 Pieces (ea): 20"W x 30"H x 12"D	Box	1	20.9	139
3455	12" for UltraCool® ADA/ASA 5012 & 5112 41¼"W x 22¼"H x 12"D	2 Pieces (ea): 20¾"W x 22¼"H x 12"D	Box	1	16	104
3456	12" for UltraCool® ADA/ASA 7012 & 7112 41¼"W x 28⅞"H x 12"D	2 Pieces (ea): 20¾"W x 28⅞"H x 12"D	Box	1	19	140
3457	12" for MasterCool® Industrial ADA 100-12 44¾"W x 36¾"H x 12"D	3 Pieces (ea): 12"W x 36¾"H x 12"D 1 Piece: 8¾"W x 36¾"H x 12"D	Box	1	14.3	167
3458	12" for MasterCool® Industrial ADA 150-12 48"W x 46¾"H x 12"D	4 Pieces (ea): 12"W x 46¾"H x 12"D	Box	1	19.4	211
3459	12" for MasterCool® Industrial ADA 200-12 60"W x 51¾"H x 12"D	5 Pieces (ea): 12"W x 51¾"H x 12"D	Box	1	27	292
3465	12" for MasterCool® Industrial PM500 (Grooved) 48"W x 44½"H x 12"D	2 Pieces (ea): 24"W x 44½"H x 12"D	Box	1	32.7	207

Note: Small package carriers (e.g. UPS, FedEx, etc.) ship rigid media products at a "dimensional weight charge".

RIGID COOLING MEDIA STICKS (PALLET QUANTITIES ONLY)

Part #	Model	Dimensions	PKG	CTN QTY	PLT QTY	PLT WT
3501	12" Rigid Media Stick	12"W x 48"H x 12"D	Pallet	4	32	282
3502	12" Rigid Media Stick	12"W x 60"H x 12"D	Pallet	4	32	352
3503	12" Rigid Media Stick	12"W x 72"H x 12"D	Pallet	4	32	423
3511	24" Rigid Media Stick	12"W x 48"H x 24"D	Pallet	2	16	282
3512	24" Rigid Media Stick	12"W x 60"H x 24"D	Pallet	2	16	352
3513	24" Rigid Media Stick	12"W x 72"H x 24"D	Pallet	2	16	423

Note: Rigid Media Sticks do not qualify for UPS shipping. Small package carriers (e.g. FedEx) ship rigid media products at a "dimensional weight charge".

RIGID COOLING MEDIA INSERTS

Part #	Model	Dimensions	PKG	CTN QTY	CTN WT
3490	Styrofoam Insert (30 pcs)	½"W x 22"H x 7⅞"D	Box	30	3
3491	Styrofoam Insert (30 pcs)	½"W x 27"H x 7⅞"D	Box	30	4
3492	Styrofoam Insert (30 pcs)	½"W x 43⅞"H x 7⅞"D	Box	30	6

Note: Small package carriers (e.g. UPS, FedEx, etc.) ship rigid media products at a "dimensional weight charge".



3490

RIGID COOLING MEDIA PEGS & WASHERS

Part #	Model	Description	PKG	CTN QTY	CTN WT
3499	Pegs & Washers for Rigid Media (8 per)	For securing rigid media pads in Bonaire® and MasterCool® narrow profile window evaporative coolers.	Bag	10	0.679



3499

ASPEN PAD RETAINER RIVET

Part #	Model	Description	PKG	CTN QTY	CTN WT
4790	Aspen Pad Retainer Rivet For Champion®/Essick® (20 per)	Removable and reusable push rivet for Champion® and Essick® aspen coolers made after 2019.	Bag	20	0.15



4790

PAD FRAME LATCHES

Part #	Model	Description	PKG	CTN QTY	CTN WT
4792	Pad Frame Latch Assembly (2 per)	Sun resistant Polypropylene. Fits all residential coolers with plastic latches.	Bag	10	0.4
4793	Pad Frame Latch Assembly (2 per)		Clam	10	0.54
4795	Metal Pad Frame Latch	Two latches required for each pad frame. For Arctic Circle, Arvin®, McGraw and Wright® coolers with metal latches. Mounting screws included.	Bulk	10	0.33
4797	Metal Pad Frame Latch (2 per)		Clam	10	0.88



4792



4797

PAD FRAME RETAINING WIRES

Part #	Model	Description	PKG	CTN QTY	CTN WT
7971	16" Retaining Wires	Replacement pad frame retaining wires for Arctic Circle, Arvin® and McGraw evaporative coolers only.	Label	5	1.9
7972	21" Retaining Wires		Label	5	2.14
7973	27" Retaining Wires		Label	5	2.8
7974	30" Retaining Wires		Label	5	3



7973

FLOAT VALVE ACCESSORIES

Part #	Model	Description	PKG	CTN QTY	CTN WT
4098	Float Valve Mounting Bracket	Galvanized steel. Fits all floats.	Label	10	1.73
4108	¼" Float Valve Locknut	Replacement locknut for all ¼" float valves.	Bulk	10	0.1
9525	¼" cc Brass Cap (1 per)	Winter seal for float valve.	Clam	10	0.22



PLASTIC FLOAT VALVES

Part #	Model	Description	PKG	CTN QTY	CTN WT
4101	¼" Compression Standard Plastic Float Valve	Brass inlet, arm and stem. Polypropylene body and float (white). Noiseless and non-corrosive.	Label	10	1.54
4102	¼" Compression Standard Plastic Float Valve	Brass inlet, arm and stem. Polypropylene body and float (white). Noiseless and non-corrosive.	Label	50	7.8
4105	¼" Compression Standard Plastic Float Valve	Brass inlet, arm and stem. Polypropylene body and float (white). Noiseless and non-corrosive.	Clam	10	2.17
4120	¼" Compression Low Spray Float Valve	Durable plastic and stainless steel. Hooded design directs water downwards into reservoir. Corrosion/Rust resistant.	Label	25	6.15
4122	¾" Compression Low Spray Float Valve	Durable plastic and stainless steel. Hooded design directs water downwards into reservoir. Corrosion/Rust resistant.	Label	25	6.59
4124	¾" MPT / ½" FPT Low Spray Float Valve	Durable plastic and stainless steel. Hooded design directs water downwards into reservoir. Corrosion/Rust resistant.	Label	25	7.04
4132	¼" Compression Premium Plastic Float Valve	Brass inlet, arm and stem. Rugged Celcon® body. Polypropylene float (white). Extra shut off capacity.	Label	10	1.93
4190	¼" Compression Plastic Float Valve	Plastic inlet, stem and arm with adjustable screw. Noiseless and non-corrosive.	Label	50	7.5
4192	¾" Compression Plastic Float Valve	Plastic inlet, stem and arm with adjustable screw. Noiseless and non-corrosive.	Label	50	7.5
4194	¾" MPT Plastic Float Valve	Polypropylene float (white). For use with evaporative coolers, fountains, ponds, stock tanks and swimming pools.	Label	50	7.5
4196	½" MPT Plastic Float Valve	Polypropylene float (white). For use with evaporative coolers, fountains, ponds, stock tanks and swimming pools.	Label	50	7.5

BRASS FLOAT VALVES

Part #	Model	Description	PKG	CTN QTY	CTN WT
4153	¼" Brass Float Valve	¼" Compression - Brass body casting, arm and stem. Polypropylene float (blue).	Label	10	2.41
4154	¼" Brass Float Valve	¼" Compression - Brass body casting, arm and stem. Polypropylene float (blue).	Label	50	11.11
4157	¼" Brass Float Valve	¼" Compression - Brass body casting, arm and stem. Polypropylene float (blue).	Clam	10	2.96
4159	¼" Heavy Duty Brass Float Valve	¼" Compression - Heavy duty brass body, plunger, arm & stem. Polypropylene float (green). 2 piece arm with adjustable screw.	Label	10	4.03
4161	¼" Heavy Duty Brass Float Valve	¼" Compression - Heavy duty brass body, plunger, arm & stem. Polypropylene float (green). 2 piece arm with adjustable screw.	Clam	30	10.74
4162	¼" Heavy Duty Brass Float Valve - 3" Arm	¼" Compression with 3" Arm - Heavy duty brass body, plunger & stem. Polypropylene float (green). 2 piece arm with adjustable screw.	Label	10	3.52
4163	¼" Heavy Duty Brass Float Valve - 3" Arm	¼" Compression with 3" Arm - Heavy duty brass body, plunger & stem. Polypropylene float (green). 2 piece arm with adjustable screw.	Label	30	10.11
4164	¾" Heavy Duty Brass Float Valve	¾" Compression - Heavy duty brass body, plunger, arm and stem. Polypropylene float (black). 2 piece arm with adjustable screw.	Label	10	4.13
4178	¾" MPT / ½" FPT Heavy Duty Brass Float Valve	¾" MPT or ½" FPT Connection - Heavy Duty Brass body, plunger and 2 piece arm. Polypropylene float (black).	Label	10	4.06
4180	¾" MPT / ½" FPT Heavy Duty Brass Float Valve - 3" Arm	¾" MPT or ½" FPT Connection - Heavy Duty Brass body, plunger and 2 piece arm. Polypropylene float (black).	Bin Box/Label	10	3.59



PUMP SCREENS & FILTERS

Part #	Model	Description	PKG	CTN QTY	CTN WT
4215	Rectangular Pump Basket	Heavy duty formed polyethylene basket. 6" W x 3½" H x 8" D. Fits all pump models.	Bulk	50	13.17
4218	Rectangular Pump Basket	Heavy duty formed polyethylene basket. 6" W x 3½" H x 8" D. Fits all pump models.	Label	12	3.37
4220	Mesh Pump Basket	Poly mesh basket. OEM style fits all offset and concentric pumps.	Bulk	50	1.98
4222	Mesh Pump Basket	Poly mesh basket. OEM style fits all offset and concentric pumps.	Label	12	0.83
42225	Mesh Pump Basket	Poly mesh basket. OEM style fits all offset and concentric pumps.	Bin Box/Label	24	1.18
4235	Pump Screen	Adjustable polyethylene screen designed to fit all pump models. Easy to install.	Bulk	50	6.58
4238	Pump Screen	Adjustable polyethylene screen designed to fit all pump models. Easy to install.	Label	24	3.56
4253	Pump Micro Filter	Eliminates fine media from entering water distribution system. For use with pump screen only. Easy to install.	Bag	10	0.57

POLY TUBING

Part #	Model	Description	PKG	CTN QTY	CTN WT
4288	¼" O.D. 25 Ft. Copper Poly Tube		Label	10	3.42
4294	¼" O.D. 50 Ft. Natural (White) Poly Tube		Label	20	11.72
4296	¼" O.D. 50 Ft. Black Poly Tube		Label	20	13.24
4299	¼" O.D. 50 Ft. Copper Poly Tube	Polyethylene tubing to use as a water supply line to evaporative coolers. For outdoor use only. Do not use indoors or in attic. Not for use with potable water lines.	Label	20	13.41
4310	¼" O.D. 100 Ft. Natural (White) Poly Tube		Label	20	20.63
4316	¼" O.D. 100 Ft. Copper Poly Tube	Copper and Black Poly tubing are resistant to UV degradation.	Label	20	23.4
4321	¼" O.D. 100 Ft. Black Poly Tube		Label	20	25.2
4323	¼" O.D. 1000 Ft. Natural (White) Poly Tube		Box	1	13
4325	¼" O.D. 1000 Ft. Black Poly Tube		Box	1	13



4299



4355

COPPER TUBING

Part #	Model	Description	PKG	CTN QTY	CTN WT
4352	¼" O.D. 25 Ft. Copper Tube	Standard utility with .020" wall thickness.	Pkg	10	15.77
4355	¼" O.D. 50 Ft. Copper Tube	For use as a water supply line to evaporative coolers and humidifiers. For up to 125 psi. Do not use for potable water applications or refrigeration lines.	Pkg	10	29.32
4361	¾" O.D. 50 Ft. Copper Tube		Pkg	10	44.43

VINYL PUMP HOSE

Part #	Model	Description	PKG	CTN QTY	CTN WT
4372	½" I.D. 5 Ft. Vinyl Pump Hose	Run water from pump to distributor. Standard for residential pumps with 4,500-11,000 CFM ratings.	Label	10	3.93
4378	½" I.D. 100 Ft. Vinyl Pump Hose		Bulk	4	25.92
4388	¾" I.D. 6 Ft. Vinyl Pump Hose	Run water from pump to distributor. Required for pumps with 15,000-21,000 CFM ratings.	Label	4	2.82
4396	¾" I.D. 6 Ft. Vinyl Pump Hose	Run water from pump to distributor. Required for pumps with 25,000 CFM rating.	Label	4	3.92



4372



4350

METAL TUBE CUTTERS

Part #	Model	Description	PKG	CTN QTY	CTN WT
4336	Metal Tube Cutter	Cuts ⅝" to 1½" copper, brass and steel tubing.	Clam	6	3.21
43495	Mini Metal Tube Cutter	Cuts ⅝" to ⅝" copper, brass and steel tubing.	Bin Box/Bag	20	4.8
4350	Mini Metal Tube Cutter		Clam	6	1.44

TUBE STRAPS & PUMP HOSE CLAMPS

Part #	Model	Description	PKG	CTN QTY	CTN WT
9062	¼" Metal Tube Strap	Metal straps to support ¼" and ¾" O.D. poly or copper tube water lines.	Bulk	50	0.0
9063	¼" Metal Tube Strap (4 per)		Bag	10	0.0
9284	Pump Hose Restrictor Clamp	Regulates water level to prevent overflow in pad frame water troughs.	Bulk	10	0.25
9287	Pump Hose Restrictor Clamp		Clam	8	0.26
9289	¼" Hose Ring Clamp	¼" O.D. ring clamp (bronze). Fits ¼" poly tube used with bleed off tees.	Bulk	25	0.04
9294	½" Hose Ring Clamp	¾" O.D. ring clamp (green). Fits ½" I.D. Vinyl pump hose.	Bulk	25	0.21
9296	½" Hose Ring Clamp (2 per)		Clam	10	0.26
9298	¾" Hose Ring Clamp	¾" O.D. ring clamp (gray). Fits ¾" I.D. Vinyl industrial pump hose.	Bulk	25	0.27



9063

9284

9296

PUMP INSTALLATION KITS

- Connects Pump to Water Distributor
- Fits Standard Residential Cooler Pumps

- For Outdoor Use Only
- Not for Use with Potable Water Applications

Part #	Model	Description	PKG	CTN QTY	CTN WT
4403	Pump Installation Start-Up Kit	Kit Includes: ¼" Float Valve, Water Distributor Adapter, ½" 5 Ft. Pump Hose, Pump Hose Restrictor Clamp, Mesh Pump Basket, Hose Ring Clamps (2), Plastic Drain & Overflow Pipe	Bag	10	1.73



4403

POLY TUBE WATER HOOK-UP KITS

- For Running Water to an Evaporative Cooler
- Adapts to Standard Garden Hose Bib

- For Outdoor Use Only
- Not for Use with Potable Water Applications

Part #	Model	Description	PKG	CTN QTY	CTN WT
4472	Water Hook-Up Kit with Male Union	Kit Includes: ¼" 25 Ft. Poly Tube (Copper), Brass Sill Cock - ¾" GHT with ⅜" FPT port, Hose Washer, ¼"cc x ⅜" MPT Brass Male Union & ¼" Poly Tube Adapter (2)	Bag	10	8.27
44726	Water Hook-Up Kit with Male Union LL		Bag	10	9.61
4475	Water Hook-Up Kit with Male Union		Clam	10	10.64
4479	Water Hook-Up Kit with Angle Valve	Kit Includes: ¼" 25 Ft. Poly Tube (Copper), Brass Sill Cock - ¾" GHT with ⅜" FPT port, Hose Washer, ¼"cc x ⅜" MPT Brass Angle Valve & ¼" Poly Tube Adapter (2)	Clam	10	10.92



4472

COPPER TUBE WATER HOOK-UP KITS

- For Running Water to an Evaporative Cooler
- Adapts to Standard Garden Hose Bib

- For Outdoor Use Only
- Not for Use with Potable Water Applications

Part #	Model	Description	PKG	CTN QTY	CTN WT
4487	Water Hook-Up Kit with Angle Valve	Kit Includes: ¼" 25 Ft. Copper Tube, Brass Sill Cock - ¾" GHT with ⅜" FPT port, Hose Washer, ¼"cc x ⅜" MPT Brass Angle Valve & ¼" Poly Tube Adapter	Pkg	10	21.63



4487

WATER DISTRIBUTOR KITS

Kit Includes: Distributor Head, 20⅞" Distributor Tubes, Water Distributor Adapter, Attachment Screw & Distributor Tube Cement

Part #	Model	Description	PKG	CTN QTY	CTN WT
4489	3 Way Side Draft Distributor Kit		Bag	8	3.76
4491	4 Way Side Draft Distributor Kit	For all side discharge coolers.	Bag	8	4.34
4493	6 Way Side Draft Distributor Kit		Bag	12	5.67
4497	4 Way Down Draft Distributor Kit		Bag	8	4
4501	8 Way Down Draft Distributor Kit	For all down discharge coolers.	Bag	12	7
4502	Universal Distributor Kit	For all side and down discharge coolers. Also includes Distributor Insert Plugs (5 per).	Bag	12	6.78



4491

WATER DISTRIBUTOR HEADS

Part #	Model	Description	PKG	CTN QTY	CTN WT
4713	3 Way Side Distributor Head		Bulk	12	0.42
4718	3 Way Side Distributor Head		Clam	12	0.63
4732	6 Way Side Distributor Head	Standard OEM style water distributor head. Must be welded to distributor tubes using Distributor Tube Cement to prevent water damage to motor and pump. Accepts #10 x ½" Phillips pan tapping screw. Screw not included.	Bulk	12	0.49
4737	6 Way Side Distributor Head		Clam	12	0.71
4759	4 Way Down Distributor Head		Clam	12	0.7
4770	8 Way Down Distributor Head		Bulk	12	0.55
4775	8 Way Down Distributor Head		Clam	12	0.79
4777	Universal Distributor Head Kit	Kit Includes: 8 Way Down Distributor Head, Water Distributor Adapter, Distributor Insert Plugs (5 per), #10 x ½" Phillips pan tapping screw & Distributor Tube Cement. Distributor tubes not included.	Clam	10	1.69



4777

WATER DISTRIBUTION ACCESSORIES

Part #	Model	Description	PKG	CTN QTY	CTN WT
4619	Water Distributor Adapter		Bin Box/Bag	10	0.18
4621	Water Distributor Adapter	Connects pump hose to water distributor head. 1/2" I.D. barb x 1/4" MPT 120° angle.	Bulk	50	0.64
4625	Water Distributor Adapter		Clam	8	0.44
4626	Tube Retainer Clip For Champion®		Bulk	50	0.17
4627	Tube Retainer Clip For Champion® (4 per)	Support clip for water distributor tubes. Prevents sagging and movement. Replacement for Champion® coolers.	Clam	10	0.34
4629	Tube Retainer Clip For Champion® (4 per)		Bin Box/Bag	10	0.35
4630	Tube Retainer Clip		Bulk	50	1
4632	Tube Retainer Clip (4 per)	Support clip for water distributor tubes, prevents sagging and movement. Replacement for Arctic Circle, Arvin®, McGraw and Wisper Cool coolers.	Clam	10	0.38
4633	Tube Retainer Clip (4 per)		Bin Box/Bag	10	1
4662	Water Distribution Meter Tip	3/64" I.D. meter tip (black) for industrial coolers using a perimeter PVC pipe water distribution system.	Bulk	10	0.04
4688	Distributor Tube Cement	Solvent for welding distributor tubes to distributor heads. Contains Methyl ethyl Ketone & Acetone.	Clam	6	0.94
4779	Distributor Insert Plug	Plugs unneeded distributor head ports. Attach using Distributor Tube Cement.	Bulk	50	0.14



4619

4626

4630

WATER DISTRIBUTOR TUBES

Part #	Model	Description	PKG	CTN QTY	CTN WT
4637	18 1/2" Distributor Tube	18 1/2" (end to bend length) x 3/8" O.D. Cut to fit many evaporative coolers.	Bulk	100	5.39
4638	20 1/8" Distributor Tube		Bulk	100	6.06
4643	20 1/8" Distributor Tube	20 1/8" (end to bend length) x 3/8" O.D. Fits all residential evaporative coolers.	Box	200	11.58
4648	20 1/8" Distributor Tube (4 per)		Bag	10	2.61
4784	Water Distributor Tube For MasterCool®	PVC water distributor tube for MasterCool® Single Inlet coolers (Made by AdobeAir® before 2009).	Label	20	4.5



4648

SPIDER SNAKES™

Part #	Model	Description	PKG	CTN QTY	CTN WT
4690	24" Spider Snake™		Label	10	0.85
4691	24" Spider Snake™	Flexible Snake bends 90° to remove scale and wood pulp debris from water distributor tubes and pump hoses.	Bin Box/Clam	10	1.49
4693	60" Spider Snake™		Label	10	1.69
4694	60" Spider Snake™		Clam	10	2.02



4691

DRIP TRAYS & WATER TROUGHS

Part #	Model	Description	PKG	CTN QTY	CTN WT
4799	24" Water Drip Tray		Label	6	5.5
4800	28" Water Drip Tray	Replacement water drip trays for evaporative coolers.	Label	6	4.73
4798	20" Water Trough For Champion®		Label	6	5.33
4801	26" Water Trough For Champion®		Label	6	5.3
4802	30 3/4" Water Trough For Champion®	Replacement water troughs for Champion® evaporative coolers.	Label	6	7.68
4803	32" Water Trough For Champion®		Label	6	7.94



4799



4798

BLEED OFF KITS

Prevents scale build-up and algae by effectively changing out the cooler water. Designed to eliminate approximately 90% of mineral build-up caused by evaporation. Heavy duty tee easily connects to existing pump hose and will not corrode. Rate of bleed varies with pump pressure.



5009

Part #	Model	Description	PKG	CTN QTY	CTN WT
5009	1/2" Bleed Off Kit	Kit Includes: Bleed Tee (Fits Standard 1/2" I.D. Pump Hose), 1/4" 25 Ft. Poly Tube (Copper), Pump Hose Restrictor Clamp & 1/2" Pump Hose Ring Clamps (2)	Bag	10	4.19
5011	1/2" Bleed Off Kit		Clam	10	6.87
5019	1/2" Bleed Tee		Bulk	10	0.1
5022	1/2" Bleed Tee	Bleed tee only. Fits standard 1/2" I.D. pump hose.	Bulk	50	0.3
5023	1/2" Bleed Tee with Hose Ring Clamps (2)		Bag	10	0.14
50235	1/2" Bleed Tee with Hose Ring Clamps (2)	Kit Includes: Bleed Tee (Fits Standard 1/2" I.D. Pump Hose) & 1/2" Pump Hose Ring Clamps (2)	Bin Box/Clam	25	0.91
5025	1/2" Bleed Tee with Hose Ring Clamps (2)		Clam	10	0.39
5030	5/8" Bleed Tee	Bleed tee only. Fits 5/8" I.D. pump hose.	Bulk	10	0.1
5034	3/4" Bleed Tee	Bleed tee only. Fits 3/4" I.D. pump hose.	Bulk	10	0.13



5152

ANODE KITS

Controls rust-electrolysis as a sacrificial metal to protect cooler cabinet and parts. Unique anode tray design keeps anode above metal cooler bottom and allows the anode to degrade evenly on all sides. Safe to use and easy to install.

Part #	Model	Description	PKG	CTN QTY	CTN WT
5152	Cooler Anode Kit - Magnesium	Kit Includes: Magnesium Anode, Grounding Wire & Sediment Collecting Tray	Clam	12	3.47
5157	Premium Anode Kit - Zinc	Kit Includes: Zinc Anode, Grounding Wire & Sediment Collecting Tray Also inhibits growth of bacteria, fungus, mold and eliminates unpleasant odors.	Clam	12	4.88

SCALE ELIMINATOR™

Polyphosphate formula holds minerals in suspension, reducing scale buildup. To prevent scale formation, these minerals must be removed from cooler. For best results use with purge pump or bleed-off tee. Replace every 3 months.

- For Evaporative Cooler Use Only
- Reduces Mineral Build-up on Pads
- For Outdoor Use Only
- Not for Use with Potable Water Applications



5179

Part #	Model	Description	PKG	CTN QTY	CTN WT
5179	Water Supply Line In Line Scale Eliminator™	Cartridge attaches to 1/4" copper or poly tube evaporative cooler water line using 1/4" brass compression fittings.	Clam	6	4.6
51795	Water Supply Line In Line Scale Eliminator™		Bin Box/Label	8	5.605
52825	Scale Eliminator™	Mesh bag rests in evaporative cooler pan water near cooler pump or float valve.	Bin Box/Bag	20	5.25
5284	Scale Eliminator™		Clam	10	2.76



5284



5255



5279

FRESH AIR™ & COOLER TAB™

Time-release formula that controls unpleasant odors from algae and bacteria in evaporative cooler water. Safe for evaporative coolers and easy to use. Place under the float valve inlet for quick odor control. Place next to the pump for longer lasting odor control.

- Long Lasting Odor Control
- For Evaporative Cooler Use Only
- For Outdoor Use Only
- Not for Use with Potable Water Applications

Part #	Model	Description	PKG	CTN QTY	CTN WT
5255	Fresh Air™	Odor control cake for evaporative cooler pan water. Fresh Air™ can be divided 4 ways.	Box	12	6.024
5279	Cooler Tab™	Odor control tablet for evaporative cooler pan water.	Clam	10	1.75

COOLER CLEANER

- Dissolves Scale & Minerals
- Inhibits Offensive Cooler Odors
- 100% Biodegradable
- Not for Use with Potable Water Applications

Part #	Model	Description	PKG	CTN QTY	CTN WT
5218	Pint Cooler Cleaner	Provides a one step treatment to inhibit build-up of scale, rust, and offensive odor. Conditions cooler pad to reduce air temperature. Contains mild acid and wetting agents.	Bottle	12	14.32
5225	Quart Cooler Cleaner		Bottle	12	29.18
5231	Gallon Cooler Cleaner		Bottle	4	36.24



5218-5231

HEAVY DUTY D-SCALE™

- Reduces Scale, Minerals, Water Slime & Light Corrosion
- 3x More Powerful than Cooler Cleaner
- Biodegradable
- Not for Use with Potable Water Applications

Part #	Model	Description	PKG	CTN QTY	CTN WT
5242	Quart Heavy Duty D-Scale™	Industrial-strength cleaning agent formulated for use in evaporative coolers.	Bottle	12	29.76
5244	Gallon Heavy Duty D-Scale™		Bottle	4	36.48



5242-5244

COOLER INTERIOR COATING

- Inhibits Rust and Corrosion
- Waterproofs Exposed Metal Surfaces in Evaporative Cooler
- Easy to Apply
- Not for Use with Potable Water Applications

Part #	Model	Description	PKG	CTN QTY	CTN WT
5324	13 Oz. Aerosol Cooler Coating	Fast drying, aerosol evaporative cooler interior coating. Contains highly refined asphalt and a unique additive that inhibits rust and corrosion.	Can	12	13.53
5328	20 Oz. Aerosol Cooler Coating		Can	12	20.16
5347	Quart Cooler Coating	Premium quality evaporative cooler interior coating. Contains highly refined asphalt and a unique additive that inhibits rust and corrosion.	Can	12	25.17
5351	Gallon Cooler Coating		Can	4	35.22
5366	5 Gallon Cooler Coating		Can	1	41



5324-5328

5347-5366

COOLER EXTERIOR PAINT

Part #	Model	Description	PKG	CTN QTY	CTN WT
5623	12 Oz. Tan Spray Paint	Standard Tan/Almond color aerosol exterior evaporative cooler paint.	Can	12	12.39
5624	12 Oz. Gray Spray Paint	Gray color aerosol exterior evaporative cooler paint for 1995 and newer Phoenix® and Frigiking® evaporative coolers.	Can	12	12.67
5637	12 Oz. Aluminum Spray Paint	Standard Chrome Aluminum color aerosol exterior evaporative cooler paint.	Can	12	12.66



5623-5637

MAINTENANCE ACCESSORIES

Part #	Model	Description	PKG	CTN QTY	CTN WT
5708	10 Ft. Peel-N-Seal™ Tape	2 in. x 10 Ft. All weather, heavy duty, pressure sensitive tape with an aluminum foil backing that will provide an instant water resistant bond for roof, duct and cooler.	Pkg	12	4.1
5713	Zoom Spout™ Cooler Oil	Turbine oil for lubricating cooler bearings and some cooler motors with oilable bearings. Inhibits rust and oxidation. Equivalent to 10 weight, non-detergent oil.	Bottle	12	3.78
5714	Zoom Spout™ Cooler Oil		Bottle	24	7.53
5744	Wire Brush & Scraper	Rugged wire bristles for cleaning scale build-up, lime-mineral deposits, algae, rust and dirt from cooler pan, pad frames and parts. Includes metal scraper.	Label	12	4.42
5749	Coarse Coating Brush	Thick 3 1/8" wide polypropylene fiber brush for applying coating.	Label	12	0.53

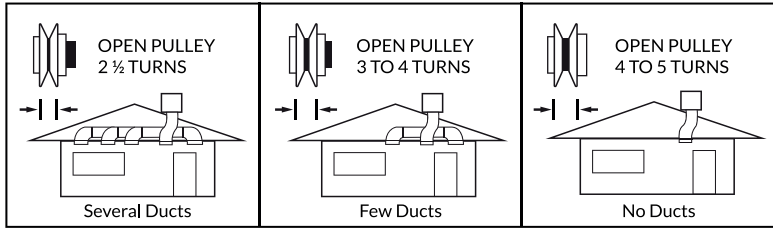


5708

5713

5744

5749



Initial Pulley Settings

VARIABLE MOTOR PULLEYS

- Use Same Size Pulley as Recommended by Cooler Manufacturer
- Installation Requires $5/32$ " Hex Key & Straight Edge

VARIABLE MOTOR PULLEYS

Part #	Model	Diameter	Bore	Keyway	Motor	PKG	CTN QTY	CTN WT
6122	3/4" x 1/2" Variable Pulley	3/4"	1/2"	—	1/3 HP	Bulk	20	5.31
6123	3/4" x 1/2" Variable Pulley	3/4"	1/2"	—	1/3 HP	Bin Box/Bag	10	5.68
6124	3/4" x 1/2" Variable Pulley	3/4"	1/2"	—	1/3 HP	Sleeve	6	5.77
6129	3/4" x 5/8" Variable Pulley	3/4"	5/8"	3/16" Keyway	1/3 HP	Bag	10	5.86
6143	3/2" x 1/2" Variable Pulley	3/2"	1/2"	—	1/2 HP	Bulk	20	6.13
6144	3/2" x 1/2" Variable Pulley	3/2"	1/2"	—	1/2 HP	Bin Box/Bag	10	6.47
6145	3/2" x 1/2" Variable Pulley	3/2"	1/2"	—	1/2 HP	Sleeve	6	6.57
6146	3/2" x 5/8" Variable Pulley	3/2"	5/8"	3/16" Keyway	1/2 HP	Bag	10	6.78
6148	3/4" x 1/2" Variable Pulley	3/4"	1/2"	—	1/2 or 3/4 HP	Bulk	20	6.36
6149	3/4" x 1/2" Variable Pulley	3/4"	1/2"	—	1/2 or 3/4 HP	Sleeve	6	6.78
6151	3/4" x 1/2" Variable Pulley	3/4"	1/2"	—	1/2 or 3/4 HP	Bin Box/Bag	10	6.70
6153	3/4" x 5/8" Variable Pulley	3/4"	5/8"	3/16" Keyway	1/2 or 3/4 HP	Bag	10	6.89
6170	4" x 1/2" Variable Pulley	4"	1/2"	—	1 HP	Bag	10	9.20
6172	4" x 5/8" Variable Pulley	4"	5/8"	3/16" Keyway	1 HP	Bin Box/Bag	4	9.33
6173	4" x 5/8" Variable Pulley	4"	5/8"	3/16" Keyway	1 HP	Sleeve	6	9.59



#6213



#6191

IRON VARIABLE MOTOR PULLEYS

Part #	Model	Diameter	Bore	Keyway	Motor	PKG	CTN QTY	CTN WT
6190	3/4" x 1/2" Variable Iron Pulley	3/4"	1/2"	—	1/3 HP	Bulk	20	4.92
6191	3/4" x 1/2" Variable Iron Pulley	3/4"	1/2"	—	1/3 HP	Bin Box/Bag	6	5.22
6192	3/2" x 1/2" Variable Iron Pulley	3/2"	1/2"	—	1/2 HP	Bulk	20	6.14
6193	3/2" x 1/2" Variable Iron Pulley	3/2"	1/2"	—	1/2 HP	Bin Box/Bag	6	6.37
6194	3/4" x 1/2" Variable Iron Pulley	3/4"	1/2"	—	1/2 or 3/4 HP	Bulk	20	6.42
6195	3/4" x 1/2" Variable Iron Pulley	3/4"	1/2"	—	1/2 or 3/4 HP	Bin Box/Bag	6	6.68
6196	3/4" x 5/8" Variable Iron Pulley	3/4"	5/8"	3/16" Keyway	1/2 or 3/4 HP	Bulk	6	6.71
6197	4" x 1/2" Variable Iron Pulley	4"	1/2"	—	1 HP	Bulk	6	6.77
6198	4" x 5/8" Variable Iron Pulley	4"	5/8"	3/16" Keyway	1 HP	Bulk	6	7.39
6199	4" x 5/8" Variable Iron Pulley	4"	5/8"	3/16" Keyway	1 HP	Bin Box/Bag	4	7.64

VARIABLE PITCH INDUSTRIAL MOTOR PULLEYS

SINGLE GROOVE IRON MOTOR PULLEYS

• Cast Iron Motor Pulley

• For Industrial Evaporative Coolers

Part #	Model	Diameter	Diameter Range 4L / A Belts				Diameter Range 5L / B Belts				Bore	Keyway	PKG	CTN QTY	CTN WT
			Min. Pitch	Turns Open	Max. Pitch	Turns Open	Min. Pitch	Turns Open	Max. Pitch	Turns Open					
61752	1VP34- $\frac{5}{8}$ " Iron Pulley	3.15"	2	5	3	0	2.5	5	3.3	1	$\frac{5}{8}$ "	$\frac{3}{16}$ "	Bag	1	1.8
61763	1VP40- $\frac{7}{8}$ " Iron Pulley	3.75"	2.6	5	3.6	0	2.8	6	3.8	1	$\frac{7}{8}$ "	$\frac{3}{16}$ "	Bag	1	2.03
61773	1VP44- $\frac{7}{8}$ " Iron Pulley	4.15"	3	5	4	0	3.2	6	4.2	1	$\frac{7}{8}$ "	$\frac{3}{16}$ "	Bag	1	2.74
61782	1VP50- $\frac{5}{8}$ " Iron Pulley	4.75"	3.6	5	4.6	0	3.8	6	4.8	1	$\frac{5}{8}$ "	$\frac{3}{16}$ "	Bag	1	3.43
61783	1VP50- $\frac{7}{8}$ " Iron Pulley	4.75"	3.6	5	4.6	0	3.8	6	4.8	1	$\frac{7}{8}$ "	$\frac{3}{16}$ "	Bag	1	3.47
61784	1VP50-1 $\frac{1}{8}$ " Iron Pulley	4.75"	3.6	5	4.6	0	3.8	6	4.8	1	1 $\frac{1}{8}$ "	$\frac{1}{4}$ "	Bag	1	3.26
61792	1VP56- $\frac{5}{8}$ " Iron Pulley	5.35"	4.2	5	5.2	0	4.4	6	5.4	1	$\frac{5}{8}$ "	$\frac{3}{16}$ "	Bag	1	3.98
61793	1VP56- $\frac{7}{8}$ " Iron Pulley	5.35"	4.2	5	5.2	0	4.4	6	5.4	1	$\frac{7}{8}$ "	$\frac{3}{16}$ "	Bag	1	4.02
61794	1VP56-1 $\frac{1}{8}$ " Iron Pulley	5.35"	4.2	5	5.2	0	4.4	6	5.4	1	1 $\frac{1}{8}$ "	$\frac{1}{4}$ "	Bag	1	3.78



#61752

DOUBLE GROOVE IRON MOTOR PULLEYS

• Cast Iron Motor Pulley

• For Industrial Evaporative Coolers

Part #	Model	Diameter	Diameter Range 4L / A Belts				Diameter Range 5L / B Belts				Bore	Keyway	PKG	CTN QTY	CTN WT
			Min. Pitch	Turns Open	Max. Pitch	Turns Open	Min. Pitch	Turns Open	Max. Pitch	Turns Open					
61802	2VP36- $\frac{5}{8}$ " Iron Pulley	3.35"	2.2	5	3.2	0	2.6	5	3.4	1	$\frac{5}{8}$ "	$\frac{3}{16}$ "	Bag	1	3.54
61803	2VP36- $\frac{7}{8}$ " Iron Pulley	3.35"	2.2	5	3.2	0	2.6	5	3.4	1	$\frac{7}{8}$ "	$\frac{3}{16}$ "	Bag	1	3.32
61812	2VP42- $\frac{5}{8}$ " Iron Pulley	3.95"	2.8	5	3.8	0	3	6	4	1	$\frac{5}{8}$ "	$\frac{3}{16}$ "	Bag	1	4.30
61813	2VP42- $\frac{7}{8}$ " Iron Pulley	3.95"	2.8	5	3.8	0	3	6	4	1	$\frac{7}{8}$ "	$\frac{3}{16}$ "	Bag	1	4.26
61814	2VP42-1 $\frac{1}{8}$ " Iron Pulley	3.95"	2.8	5	3.8	0	3	6	4	1	1 $\frac{1}{8}$ "	$\frac{1}{4}$ "	Bag	1	3.82
61832	2VP50- $\frac{5}{8}$ " Iron Pulley	4.75"	3.6	5	4.6	0	3.8	6	4.8	1	$\frac{5}{8}$ "	$\frac{3}{16}$ "	Bag	1	6.21
61833	2VP50- $\frac{7}{8}$ " Iron Pulley	4.75"	3.6	5	4.6	0	3.8	6	4.8	1	$\frac{7}{8}$ "	$\frac{3}{16}$ "	Bag	1	5.96
61834	2VP50-1 $\frac{1}{8}$ " Iron Pulley	4.75"	3.6	5	4.6	0	3.8	6	4.8	1	1 $\frac{1}{8}$ "	$\frac{1}{4}$ "	Bag	1	5.06
61843	2VP56- $\frac{5}{8}$ " Iron Pulley	5.35"	4.2	5	5.2	0	4.4	6	5.4	1	$\frac{5}{8}$ "	$\frac{3}{16}$ "	Bag	1	8.16
61844	2VP56-1 $\frac{1}{8}$ " Iron Pulley	5.35"	4.2	5	5.2	0	4.4	6	5.4	1	1 $\frac{1}{8}$ "	$\frac{1}{4}$ "	Bag	1	7.21
61845	2VP56-1 $\frac{3}{8}$ " Iron Pulley	5.35"	4.2	5	5.2	0	4.4	6	5.4	1	1 $\frac{3}{8}$ "	$\frac{1}{4}$ "	Bag	1	7.66
61864	2VP62-1 $\frac{1}{8}$ " Iron Pulley	5.95"	4.4	5	5.4	0	4.7	6	5.9	1	1 $\frac{1}{8}$ "	$\frac{1}{4}$ "	Bag	1	11.09
61865	2VP62-1 $\frac{3}{8}$ " Iron Pulley	5.95"	4.4	5	5.4	0	4.7	6	5.9	1	1 $\frac{3}{8}$ "	$\frac{1}{4}$ "	Bag	1	10.59
61875	2VP65-1 $\frac{1}{8}$ " Iron Pulley	6.50"	4.9	5	5.9	0	5.2	6	6.4	0	1 $\frac{1}{8}$ "	$\frac{1}{4}$ "	Bag	1	12.52



#61803

FIXED MOTOR PULLEYS

Part #	Model	Diameter	Bore	Keyway	PKG	CTN QTY	CTN WT
6207	2" x 1/2" Fixed Motor Pulley	2"	1/2"	—	Bulk	20	5.74
6209	2" x 5/8" Fixed Motor Pulley	2"	5/8"	3/16" Keyway	Bulk	20	5.34
6215	2 1/4" x 1/2" Fixed Motor Pulley	2 1/4"	1/2"	—	Bag	10	4.8
6235	2 1/2" x 1/2" Fixed Motor Pulley	2 1/2"	1/2"	—	Bulk	20	9.47
6237	2 1/2" x 5/8" Fixed Motor Pulley	2 1/2"	5/8"	3/16" Keyway	Bulk	20	8.82
6244	2 3/4" x 1/2" Fixed Motor Pulley	2 3/4"	1/2"	—	Bag	10	4.12
6255	2 3/4" x 5/8" Fixed Motor Pulley	2 3/4"	5/8"	3/16" Keyway	Bulk	20	10.43
6262	3" x 1/2" Fixed Motor Pulley	3"	1/2"	—	Bulk	20	9.15
6264	3" x 1/2" Fixed Motor Pulley	3"	1/2"	—	Bag	10	5.18
6271	3" x 5/8" Fixed Motor Pulley	3"	5/8"	3/16" Keyway	Bulk	20	9.71
6280	3 1/4" x 1/2" Fixed Motor Pulley	3 1/4"	1/2"	—	Bulk	20	10.55
6293	3 1/2" x 1/2" Fixed Motor Pulley	3 1/2"	1/2"	—	Bulk	20	9.43
6298	3 1/2" x 5/8" Fixed Motor Pulley	3 1/2"	5/8"	3/16" Keyway	Bulk	20	10.08
62985	4" x 5/8" Fixed Motor Pulley	4"	5/8"	3/16" Keyway	Bulk	20	13.52



6262

Note: Fixed motor pulleys are sized to avoid overloading cooler motors that were installed without using an ammeter.

BLOWER PULLEYS

Part #	Model	Diameter	Bore	Keyway	PKG	CTN QTY	CTN WT
6307	7" x 5/8" Blower Pulley	7"	5/8"	1/4" Keyway	Label	5	5.74
6309	7" x 3/4" Blower Pulley	7"	3/4"	1/4" Keyway	Label	5	5.11
6310	7" x 1" Blower Pulley	7"	1"	1/4" Keyway	Label	5	5.24
6311	8" x 5/8" Blower Pulley	8"	5/8"	1/4" Keyway	Label	5	6.28
6312	8" x 3/4" Blower Pulley	8"	3/4"	1/4" Keyway	Label	5	5.75
6314	8" x 1" Blower Pulley	8"	1"	1/4" Keyway	Label	5	5.73
6319	9" x 3/4" Blower Pulley	9"	3/4"	1/4" Keyway	Label	5	8.87
6321	9" x 1" Blower Pulley	9"	1"	1/4" Keyway	Label	5	8.57
6322	10" x 5/8" Blower Pulley	10"	5/8"	1/4" Keyway	Label	5	9.6
6323	10" x 3/4" Blower Pulley	10"	3/4"	1/4" Keyway	Label	5	9.03
6324	10" x 1" Blower Pulley	10"	1"	1/4" Keyway	Label	5	8.54
6327	11" x 5/8" Blower Pulley	11"	5/8"	1/4" Keyway	Label	5	9.5
6328	11" x 3/4" Blower Pulley	11"	3/4"	1/4" Keyway	Label	5	10.21
6330	11" x 1" Blower Pulley	11"	1"	1/4" Keyway	Label	5	10.48
6336	12" x 3/4" Blower Pulley	12"	3/4"	1/4" Keyway	Label	5	11.56
6338	12" x 1" Blower Pulley	12"	1"	1/4" Keyway	Label	5	11.59
6339	14" x 5/8" Blower Pulley	14"	5/8"	1/4" Keyway	Label	5	14.56
6340	14" x 3/4" Blower Pulley	14"	3/4"	1/4" Keyway	Label	5	14.83
6341	14" x 1" Blower Pulley	14"	1"	1/4" Keyway	Label	5	14.31



6213

PULLEY PULLER

Part #	Model	Description	PKG	CTN QTY	CTN WT
6100	Pulley Puller	Removes motor and blower pulleys.	Label	5	6.64



6100

PRECISION ENGINEERED V-BELTS

- ½" Wide Vulcanized Rubber
- Replace with Same Size as Original
- Rated for All 4L and A V-Belt Applications



NOTE: V-Belt model size indicates outside circumference measurement. "Type A" v-belt size is 2 inches smaller than listed model size and is the inside circumference measurement.

V-BELTS											
Part #	Model	Reference #	PKG	CTN QTY	CTN WT	Part #	Model	Reference #	PKG	CTN QTY	CTN WT
6520	20" V-Belt	4L200 / A18	Sleeve	5	0.62	6561	61" V-Belt	4L610 / A59	Sleeve	5	1.92
6521	21" V-Belt	4L210 / A19	Sleeve	5	0.7	6562	62" V-Belt	4L620 / A60	Sleeve	5	1.95
6522	22" V-Belt	4L220 / A20	Sleeve	5	0.71	6563	63" V-Belt	4L630 / A61	Sleeve	5	1.96
6523	23" V-Belt	4L230 / A21	Sleeve	5	0.72	6564	64" V-Belt	4L640 / A62	Sleeve	5	2.03
6524	24" V-Belt	4L240 / A22	Sleeve	5	0.8	6565	65" V-Belt	4L650 / A63	Sleeve	5	2.05
6525	25" V-Belt	4L250 / A23	Sleeve	5	1	6566	66" V-Belt	4L660 / A64	Sleeve	5	2.1
6526	26" V-Belt	4L260 / A24	Sleeve	5	0.86	6567	67" V-Belt	4L670 / A65	Sleeve	5	2.02
6527	27" V-Belt	4L270 / A25	Sleeve	5	0.92	6568	68" V-Belt	4L680 / A66	Sleeve	5	2.15
6528	28" V-Belt	4L280 / A26	Sleeve	5	0.95	6569	69" V-Belt	4L690 / A67	Sleeve	5	2.25
6529	29" V-Belt	4L290 / A27	Sleeve	5	0.92	6570	70" V-Belt	4L700 / A68	Sleeve	5	2.15
6530	30" V-Belt	4L300 / A28	Sleeve	5	1	6571	71" V-Belt	4L710 / A69	Sleeve	5	2.2
6531	31" V-Belt	4L310 / A29	Sleeve	5	1.01	6572	72" V-Belt	4L720 / A70	Sleeve	5	2.22
6532	32" V-Belt	4L320 / A30	Sleeve	5	1.25	6573	73" V-Belt	4L730 / A71	Sleeve	5	2.26
6533	33" V-Belt	4L330 / A31	Sleeve	5	1.05	6574	74" V-Belt	4L740 / A72	Sleeve	5	2.22
6534	34" V-Belt	4L340 / A32	Sleeve	5	1.1	6575	75" V-Belt	4L750 / A73	Sleeve	5	2.25
6535	35" V-Belt	4L350 / A33	Sleeve	5	1.1	6576	76" V-Belt	4L760 / A74	Sleeve	5	2.3
6536	36" V-Belt	4L360 / A34	Sleeve	5	1.16	6577	77" V-Belt	4L770 / A75	Sleeve	5	2.32
6537	37" V-Belt	4L370 / A35	Sleeve	5	1.17	6578	78" V-Belt	4L780 / A76	Sleeve	5	2.5
6538	38" V-Belt	4L380 / A36	Sleeve	5	1.12	6579	79" V-Belt	4L790 / A77	Sleeve	5	2.45
6539	39" V-Belt	4L390 / A37	Sleeve	5	1.25	6580	80" V-Belt	4L800 / A78	Sleeve	5	2.5
6540	40" V-Belt	4L400 / A38	Sleeve	5	0.31	6581	81" V-Belt	4L810 / A79	Sleeve	5	2.5
6541	41" V-Belt	4L410 / A39	Sleeve	5	1.35	6582	82" V-Belt	4L820 / A80	Sleeve	5	2.47
6542	42" V-Belt	4L420 / A40	Sleeve	5	1.36	6583	83" V-Belt	4L830 / A81	Sleeve	5	2.52
6543	43" V-Belt	4L430 / A41	Sleeve	5	1.37	6584	84" V-Belt	4L840 / A82	Sleeve	5	2.55
6544	44" V-Belt	4L440 / A42	Sleeve	5	1.4	6585	85" V-Belt	4L850 / A83	Sleeve	5	2.61
6545	45" V-Belt	4L450 / A43	Sleeve	5	0.29	6586	86" V-Belt	4L860 / A84	Sleeve	5	2.62
6546	46" V-Belt	4L460 / A44	Sleeve	5	0.292	6587	87" V-Belt	4L870 / A85	Sleeve	5	2.65
6547	47" V-Belt	4L470 / A45	Sleeve	5	0.294	6588	88" V-Belt	4L880 / A86	Sleeve	5	2.75
6548	48" V-Belt	4L480 / A46	Sleeve	5	0.304	6589	89" V-Belt	4L890 / A87	Sleeve	5	2.72
6549	49" V-Belt	4L490 / A47	Sleeve	5	0.306	6590	90" V-Belt	4L900 / A88	Sleeve	5	2.8
6550	50" V-Belt	4L500 / A48	Sleeve	5	0.3	6591	91" V-Belt	4L910 / A89	Sleeve	5	2.8
6551	51" V-Belt	4L510 / A49	Sleeve	5	0.32	6592	92" V-Belt	4L920 / A90	Sleeve	5	2.85
6552	52" V-Belt	4L520 / A50	Sleeve	5	0.252	6593	93" V-Belt	4L930 / A91	Sleeve	5	2.86
6553	53" V-Belt	4L530 / A51	Sleeve	5	1.65	6594	94" V-Belt	4L940 / A92	Sleeve	5	2.92
6554	54" V-Belt	4L540 / A52	Sleeve	5	1.7	6595	95" V-Belt	4L950 / A93	Sleeve	5	2.91
6555	55" V-Belt	4L550 / A53	Sleeve	5	1.71	6596	96" V-Belt	4L960 / A94	Sleeve	5	3
6556	56" V-Belt	4L560 / A54	Sleeve	5	1.75	6597	97" V-Belt	4L970 / A95	Sleeve	5	2.95
6557	57" V-Belt	4L570 / A55	Sleeve	5	1.8	6598	98" V-Belt	4L980 / A96	Sleeve	5	2.97
6558	58" V-Belt	4L580 / A56	Sleeve	5	1.82	6599	99" V-Belt	4L990 / A97	Sleeve	5	3
6559	59" V-Belt	4L590 / A57	Sleeve	5	1.85	6600	100" V-Belt	4L1000 / A98	Sleeve	5	3.1
6560	60" V-Belt	4L600 / A58	Sleeve	5	1.9						

V-BELTS

Part #	Model	Reference #	PKG	CTN QTY	CTN WT
6603	103" V-Belt	4L1030 / A101	Sleeve	5	TBD
6604	104" V-Belt	4L1040 / A102	Sleeve	5	TBD
6605	105" V-Belt	4L1050 / A103	Sleeve	5	TBD
6606	106" V-Belt	4L1060 / A104	Sleeve	5	TBD
6607	107" V-Belt	4L1070 / A105	Sleeve	5	TBD
6608	108" V-Belt	4L1080 / A106	Sleeve	5	TBD
6609	109" V-Belt	4L1090 / A107	Sleeve	5	TBD

TYPE B INDUSTRIAL V-BELTS

- $\frac{3}{32}$ " Wide Vulcanized Rubber
- Rated for All 5L and B V-Belt Applications

- Replace with Same Size as Original
- For Industrial Evaporative Coolers

Part #	Model	Reference #	PKG	CTN QTY	CTN WT
65922	92" V-Belt	5L920 / B89	Sleeve	5	TBD
65932	93" V-Belt	5L930 / B90	Sleeve	5	TBD
65942	94" V-Belt	5L940 / B91	Sleeve	5	TBD
65962	96" V-Belt	5L960 / B93	Sleeve	5	TBD
65982	98" V-Belt	5L980 / B95	Sleeve	5	TBD
66052	105" V-Belt	5L1050 / B102	Sleeve	5	TBD
66062	106" V-Belt	5L1060 / B103	Sleeve	5	TBD
66102	110" V-Belt	5L1100 / B107	Sleeve	5	TBD
66112	111" V-Belt	5L1110 / B108	Sleeve	5	TBD
66122	112" V-Belt	5L1120 / B109	Sleeve	5	TBD

Note: V-Belt model size indicates outside circumference measurement. "Type B" v-belt size is 3 inches smaller than listed model size and is the inside circumference measurement.

PILLOW BLOCK BEARINGS

Part #	Model	Description	PKG	CTN QTY	CTN WT
6622	1" Pillow Block Side Oiler	Oiler rotated 90° for side draft Tradewinds™ coolers only.	Clam	6	2.64
6630	5/8" Pillow Block Bearing	16 gauge steel pillow block assembly. Fits 5/8" diameter shafts. Can also be used for replacement of bearing and cushion on spider arm bearing assemblies.	Bulk	24	7.71
6633	5/8" Pillow Block Bearing		Bag	10	3.6
66335	5/8" Pillow Block Bearing		Bin Box/Bag	10	3.34
6634	5/8" Pillow Block Bearing		Clam	6	2.71
6639	3/4" Pillow Block Bearing	16 gauge steel pillow block assembly. Fits 3/4" diameter shafts. Can also be used for replacement of bearing and cushion on spider arm bearing assemblies.	Bulk	24	8.15
6642	3/4" Pillow Block Bearing		Bin Box/Bag	10	3.48
6643	3/4" Pillow Block Bearing		Clam	6	2.5
6644	3/4" High Rise Pillow Block Bearing	16 gauge steel. Fits 3/4" diameter shafts, high rise configuration on Arctic Circle, Arvin® and McGraw coolers only. Can also be used for replacement of bearing and cushion on spider arm bearing assemblies.	Bin Box/Bag	10	4.81
6645	3/4" High Rise Pillow Block Bearing		Bulk	24	10.84
6646	3/4" High Rise Pillow Block Bearing		Clam	6	3.33
6660	1" Pillow Block Bearing	16 gauge steel pillow block assembly. Fits 1" diameter shafts. Can also be used for replacement of bearing and cushion on spider arm bearing assemblies.	Bulk	24	8.1
6663	1" Pillow Block Bearing		Bin Box/Bag	10	3.61
6664	1" Pillow Block Bearing		Clam	6	2.67
6651	1" High Rise Pillow Block Bearing	16 gauge steel. Fits 1" diameter shafts, high rise configuration on Arctic Circle, Arvin® and McGraw coolers only. Can also be used for replacement of bearing and cushion on spider arm bearing assemblies.	Bulk	24	10.56
6655	1" High Rise Pillow Block Bearing		Bin Box/Bag	10	4.85
6656	1" High Rise Pillow Block Bearing		Clam	6	3.4
6672	1 3/16" Pillow Block Bearing	Light duty 13 gauge steel industrial pillow block assembly.	Bulk	6	3.055
6679	1 3/16" Pillow Block Bearing	Heavy duty 11 gauge steel industrial pillow block assembly.	Bulk	6	7.2

Note: Base to center is 1" for standard pillow block bearings and 1 1/2" for high rise pillow block bearings.



SPIDER BEARINGS

Part #	Model	Description	PKG	CTN QTY	CTN WT
6684	3/4" Spider Bearing	Spider bearings have 9" arms.	Label	6	5.65
6686	1" Spider Bearing		Label	6	5.65

BEARING BALL & CUSHION

Part #	Model	Description	PKG	CTN QTY	CTN WT
6692	3/4" Bearing Ball & Cushion (1 per)	Bearing ball & cushion only.	Bin Box/Clam	6	1.5
6693	1" Bearing Ball & Cushion (1 per)		Bin Box/Clam	6	1.58



BLOWER SHAFTS

Part #	Model	Description	PKG	CTN QTY	CTN WT
6709	5/8" x 22 1/2" Solid Blower Shaft		Label	5	9.99
6713	3/4" x 21" Hollow Blower Shaft		Label	5	6
6716	3/4" x 24" Hollow Blower Shaft	Polished steel blower shaft with chamfered ends and 1 1/2" flat surface for securely attaching set screw (no keyway).	Label	5	6.95
6718	3/4" x 27" Hollow Blower Shaft		Label	5	7.46
6722	1" x 24" Hollow Blower Shaft		Label	5	9.5
6736	1" x 27" Hollow Blower Shaft		Label	5	11.16



6713

SHAFT KEYS & PLUGS

Part #	Model	Description	PKG	CTN QTY	CTN WT
2739	3/16" x 3/16" x 1 1/2" Motor Shaft Key	For 5/8" bore motor pulleys with keyway.	Clam	10	0.21
6750	1/4" x 1/4" x 1 1/2" Blower Shaft Key	Universal blower shaft key.	Clam	10	0.33
6752	3/4" Blower Shaft Plug	Shaft plug supports center screw pin of pulley puller to remove wheel pulley from hollow blower shafts.	Clam	5	0.3
6755	1" Blower Shaft Plug		Clam	5	0.6
6757	3/4" & 1" Blower Shaft Plug		Clam	5	0.5



6750



6752

STEEL COLLARS

Part #	Model	Description	PKG	CTN QTY	CTN WT
6804	3/4" Hollow Steel Collar	Stamped galvanized steel hollow collar with set screw.	Bulk	10	0.47
6808	1" Hollow Steel Collar		Bulk	10	0.58
68025	3/4" Hollow Steel Collar & Washer (1 per)	Stamped galvanized steel hollow collar with set screw (1 per) and leather washer (1 per).	Bin Box/Bag	20	1.25
6805	3/4" Hollow Steel Collar & Washer (1 per)		Clam	10	0.51
68035	1" Hollow Steel Collar & Washer (1 per)		Bin Box/Bag	20	1.52
6806	1" Hollow Steel Collar & Washer (1 per)		Clam	10	0.67
6813	5/8" Solid Steel Collar	Heavy duty zinc plated steel solid collar with set screw. Resists corrosion.	Bulk	10	0.66
6825	3/4" Solid Steel Collar		Bulk	10	0.74
6832	1" Solid Steel Collar		Bulk	10	1.23
6839	1 3/16" Solid Steel Collar		Bulk	10	1.27
6845	3/4" Solid Steel Collar & Washer (1 per)		Clam	10	0.84
6846	1" Solid Steel Collar & Washer (1 per)		Clam	10	1.32



6805



6813

WASHERS

Part #	Model	Description	PKG	CTN QTY	CTN WT
6910	5/8" Leather Washer	Leather washer for 5/8" solid steel collars.	Bulk	10	0.01
6927	3/4" Leather Washer	Leather washer for 3/4" solid and hollow steel collars.	Bulk	10	0.02
6928	3/4" Leather Washers (2 per)		Bag	10	0.16
6933	1" Leather Washer	Leather washer for 1" solid and hollow steel collars.	Bulk	10	0.02
6934	1" Leather Washers (2 per)		Bag	10	0.18
6944	1 3/16" Leather Washer	Leather washer for 1 3/16" solid steel collars.	Bulk	10	0.05
6951	Rubber Washer For Cooler Drain	Rubber washer for cooler drain.	Bulk	10	0.04
6952	Rubber Washer For Cooler Drain (2 per)		Bulk	10	0.15
6967	Garden Hose Washer	Rubber washer for garden hose float valve adapters.	Bulk	10	0.04



6927



6951

SWITCHES

• Includes Mounting Screws & Wiring

• Rated for 115V 1 or 2 Speed Motors - up to 1 HP

Part #	Model	Description	PKG	CTN QTY	CTN WT
7110	2 Speed Wall Switch		Bag	10	2.02
71105	2 Speed Wall Switch	6 position white plastic plate. 1 speed motors only use 4 of the 6 switch positions.	Bin Box/Bag	20	3.82
7112	2 Speed Wall Switch		Card	10	2.3
7115	2 Speed Wall Switch - Metal	6 Position 1 gang metal plate. 1 speed motors only use 4 of the 6 switch positions.	Card	10	2.8
7120	2 Speed Wall Switch - Metal (Spanish)	6 Position 1 gang metal plate. Position labels in Spanish and English. 1 speed motors only use 4 of the 6 switch positions.	Bag	10	2.62
7131	2 Speed Wall Switch - 2 Gang Metal	6 Position 2 gang metal plate. 1 speed motors only use 4 of the 6 switch positions.	Card	10	2.71



KNOBS

Part #	Model	Description	PKG	CTN QTY	CTN WT
7485	Short Shaft (flush) Knob Kit	Kit Includes: Knob, 6 Position Switch, Motor & Pump Operation Labeled Inserts & Pointer Line Insert	Clam	8	0.18
7486	Medium Shaft (1/4") Knob Kit		Clam	8	0.17
7487	Long Shaft (5/8") Knob Kit	For 2 speed coolers only.	Clam	8	0.2
7499	Wall Switch Knob	Replacement knob for 2 speed rotary wall switches only.	Clam	6	0.15

SPOOL CORD & COOLER WHIP

Part #	Model	Description	PKG	CTN QTY	CTN WT
7550	250 Ft. SJTW Cord – 14 Gauge / 4 Wire		Box	1	32
7551	250 Ft. SJTW Cord – 14 Gauge / 5 Wire	For 2 speed coolers only.	Box	1	41
7555	10 Ft. 115V Cooler Whip – 14 Gauge	For electrical connection from junction box to evaporative cooler. Pre-wired for pump (16 gauge) and 1 or 2 speed motors up to 1 HP.	Label	4	5.87
7557	10 Ft. 115V Heavy Duty Cooler Whip – 12 Gauge	UL Recognized components, non-metallic, watertight and UV resistant.	Label	6	17.08



TERMINALS & WIRING KITS

Part #	Model	Description	PKG	CTN QTY	CTN WT
7664	1/4" Angle Female Terminal		Bulk	100	0.07
7670	1/4" Angle Female Terminal (6 per)	Clips to motor terminal posts. Recommended for most cooler motors.	Clam	18	0.23
7705	115V Cooler Wiring Kit	Kit Includes: Pigtail Pump Receptacle (#7589 for 115V / #7590 for 230V), Pigtail Motor Receptacle (#7583), Galvanized Metal Box & Mounting Screws	Bag	1	1.33
7708	230V Cooler Wiring Kit	Suitable for universal mounting inside cooler ceiling, on motor cradles or on blower housing. Use as a quick disconnect for safely servicing coolers.	Bag	1	1.34



MOTOR PLUG CORDS

Part #	Model	Description	Volts	PKG	CTN QTY	CTN WT
7524	84" 2 Speed Motor Angle Plug Cord	14 gauge/4 wire SJTW jacketed cord with NEMA 14-20P molded plug (Tucson Cord). Use with NEMA 14-20R receptacle (#7570). For 2 speed motors up to 1 HP.	120V	Label	10	10.66
7526	144" 2 Speed Motor Angle Plug Cord	14 gauge/4 wire SJTW jacketed cord for 2 speed motors up to 1 HP.	120V	Label	10	16.12
7537	18" 2 Speed Motor Plug Cord	14 gauge/4 wire SJTW jacketed cord for 2 speed motors up to 1 HP.	115V	Label	5	9.5
7539	36" 1 Speed Motor Plug Cord	14 gauge/3 wire SJTW jacketed cord for 1 speed (P2-914) motors up to 1 HP.	115V	Label	10	3.29
7545	36" 2 Speed Motor Plug Cord	14 gauge/4 wire SJTW jacketed cord for 2 speed (P2-911) motors up to 1 HP. Easily adapts for 1 speed motors.	115V	Label	10	4.46
7546	36" 2 Speed Motor Plug Cord		115V	Bag	10	5.42
7548	42" 2 Speed Motor Plug Cord	14 gauge/4 wire SJTW jacketed cord for 2 speed (P2-911) motors up to 1 HP. Easily adapts for 1 speed motors.	115V	Clam	10	6.04
7547	36" 230V 2 Speed Motor Plug Cord	16 gauge/4 wire SJTW jacketed cord for 1 or 2 speed (P2-909) motors up to 1 HP. Use with P2-905D receptacle and CWK-240 electrical box.	230V	Label	10	4.42



MOTOR RECEPTACLES

Part #	Model	Description	Volts	PKG	CTN QTY	CTN WT
7570	2 Speed NEMA 14-20R Receptacle	20 Amp NEMA 14-20R receptacle for 2 speed motors up to 1 HP. Use with NEMA 14-20P motor cord (#7524 / #7526).	120V	Box	10	2.13
7583	Pigtail Motor Receptacle	14 gauge/5 wire (10" leads) for 1 or 2 speed motors (P2-905) up to 1 HP.	115V / 230V	Clam	6	1.72
7584	Pigtail Motor Receptacle		115V / 230V	Bin Box/Bag	10	2.25
7595	18" Motor Receptacle	14 gauge/5 wire SJTW jacketed cord for pre-wired junction boxes. For 1 or 2 speed motors up to 1 HP.	115V / 230V	Label	10	3.66

PUMP RECEPTACLES

Part #	Model	Description	Volts	PKG	CTN QTY	CTN WT
7587	Pigtail Pump Receptacle	18 gauge/3 wire (10" leads) SPT receptacle (P2-907) for standard 115V pumps.	115V	Bin Box/Bag	10	1.7
7589	Pigtail Pump Receptacle		115V	Clam	6	1.47
7597	18" Pump Receptacle	18 gauge/3 wire SPT receptacle with 18" cord for pre-wired junction boxes. For standard 115V pumps.	115V	Label	10	2.02
7590	230V Pigtail Pump Receptacle	18 gauge/3 wire (10" leads) SPT receptacle (P2-908) for 230V pumps.	230V	Bag	10	1.82



MINI PLUG & CORD

Part #	Model	Description	Volts	PKG	CTN QTY	CTN WT
7579	36" Mini Plug & Cord	For MasterCool® single inlet coolers with mini plug receptacles. 14 gauge/3 wire SJTW jacketed cord for 2 speed motors up to 1 HP.	115V	Clam	10	4.82
7585	36" Mini Plug & Cord			Bulk	100	4.3
7581	36" 230V Mini Plug & Cord	For MasterCool® single inlet coolers with mini plug receptacles. 16 gauge/3 wire SJTW jacketed cord for 2 speed motors up to 1 HP.	230V	Clam	10	4.31



SPECIALTY MOTOR PLUG CORDS

Part #	Model	Description	Volts	PKG	CTN QTY	CTN WT
7512	96" Outdoor 1 Speed Motor Cord	14 gauge/3 wire SJTW jacketed cord with three prong plug for outdoor installations. For 1 speed motors up to 1 HP.	120V	Label	10	8.41
7513	144" Outdoor 1 Speed Motor Cord	14 gauge/3 wire SJTW jacketed cord with three prong plug for outdoor installations. For 1 speed motors up to 1 HP.	120V	Label	10	12.28



PROGRAMMABLE LOW VOLTAGE DIGISTAT™ EVAPORATIVE COOLER THERMOSTAT CONTROL SYSTEM



#7623

FOR USE ON ANY EVAPORATIVE COOLER

- 3 Operating Modes (Standard; Programmable; Hold Time)
- Backlit LCD Display
- 7-day Repeating Program
- Simple Set Point Temperature Adjustment
- Room Temperature Calibration Adjustment
- Test Buttons for Easy Diagnostic Checks
- No Fuse

Kit Includes: Indoor Thermostat Unit, Outdoor Power Supply Box, Mounting Brackets for Outdoor Power Supply Box, Wall Mounting Plate for Indoor Thermostat Unit, Jumper Wire, Wire Nut and Reset Tool

This control is designed for fan (blower) motors up to 1HP (120V, 60Hz or 240V, 60Hz), with a pad pump up to 1.8A (120V) or 0.9A (240V) and a drain pump up to 1A (120V) or 0.5A (240V).

This control is intended to be used with an evaporative cooler with a 1 speed or 2 speed fan (blower) motor and a pad pump. It will also control a second drain pump (low level pump). Blower motor and pumps must have the same rated voltage.

One Year Warranty

LOW VOLTAGE THERMOSTATS

Part #	Model	Description	Volts	PKG	CTN QTY	CTN WT
7623	Programmable Low Volt Digistat™	Digital thermostat control system with outdoor power supply box. Not compatible for direct replacement of high voltage thermostat or manual switch. Low voltage wiring required.	120V / 240V	Pkg	1	2.91

LINE VOLTAGE THERMOSTATS

- For 1 Speed & 2 Speed (115V & 230V) Cooler Motors up to 1 HP
- Automatically Controls the Operation of Evaporative Coolers
- Constant Digital Display of Room Temperature
- Automatically Restores User Settings After a Power Failure
- Adjustable Pad Pre-Wet Cycle
- 90 Day Warranty

Part #	Model	Description	Volts	PKG	CTN QTY	CTN WT
7617	Digital Cooler Controller™	LCD digital temperature display, case door covers operating controls. Mounts in standard single gang box (2"x4") or two gang (4"x4") electrical box with wall plate (#7616).	115V / 230V	Clam	6	4.36



#7617



#7616

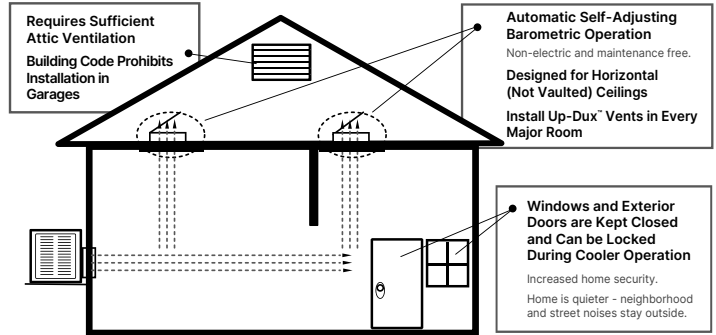
LINE VOLTAGE THERMOSTAT ACCESSORIES

Part #	Model	Description	PKG	CTN QTY	CTN WT
7616	Wall Plate For Digital Cooler Controller™	Two gang wall plate for mounting Digital Cooler Controller™.	Bag	5	0.54

UP-DUX™ – CEILING-TO-ATTIC EXHAUST VENT



7610



- Exhausts Evaporative Cooler Air into Attic
- Preassembled & Easy to Install
- Increases Cooler Efficiency

Automatic Damper Release (ADR™) Technology

Fusible links degrade at 190° F, releasing steel anti-draft panels that block the airflow between your home's attic and living areas.

UP-DUX™

Part #	Model	Description	PKG	CTN QTY	CTN WT
7607	Extended Height Automatic Ceiling Vent (DL-101-T)	Extends up to 15½" for use with up to R-38 insulation. Rated for 900CFM nominal airflow. Install one Up-Dux™ for each 900CFM rating.	Box	6	43.0
7610	Standard Height Automatic Ceiling Vent (DL-101)	Standard 7¼" height. Rated for 900CFM nominal airflow. Install one Up-Dux™ for each 900CFM rating.	Box	6	35.0

UP-DUX™ ACCESSORIES

Part #	Model	Description	PKG	CTN QTY	CTN WT
76112	Slide-in Therma-Panel™ (3 per)	Replacement Up-Dux® Slide-in Therma-Panel™. For use during winter months.	Bag	1	12.0
76114	Ceiling Grille	Replacement Up-Dux® ceiling grille. 13¾" square polystyrene grille.	Box	12	8.0



76112

76114

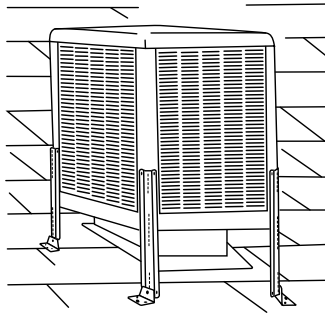
GRILLES

Part #	Model	Description	PKG	CTN QTY	CTN WT
7637	6 Way Grille 4500/6500 CFM	Diffuses air 4 ways or 6 ways with 14 adjustable high impact white plastic louvers (22" x 22" x 3½" - fits duct openings up to 20"x20"). For all residential coolers.	Pkg	4	21.2
7639	Replacement Grille Louver	Replacement high impact white plastic louver for 6-way grille.	Bulk	10	1.5

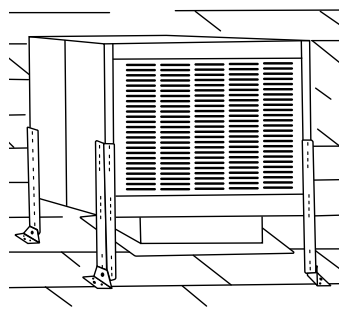


7637

7639



Round Corner Cooler



Square Corner Cooler

COOLER SUPPORT LEGS

- For Residential Evaporative Coolers Only
- For Flat to 6/12 Pitch Roofs
- Heavy Gauge Galvanized Steel with Powder Coated Finish

Round Corner Fits: Round Corner Residential Aspen Coolers

Square Corner Fits: Single Inlet Residential Rigid Media Coolers

STANDARD LEG KITS

Part #	Model	Description	Color	PKG	CTN QTY	CTN WT
7805	Round Corner Leg Kit	Kit Includes: Two 20" and Two 30" Round Corner Heavy-Duty 18-Gauge Steel Legs with Fasteners, and Four Adjustable Feet	Tan/Almond	Bag	5	26.17
7806	Round Corner Leg Kit	Kit Includes: Two 20" and Two 30" Round Corner Heavy-Duty 18-Gauge Steel Legs with Fasteners, and Four Adjustable Feet	Gray	Bag	5	26.5
7808	Square Corner Leg Kit	Kit Includes: Two 20" and Two 30" Square Corner Heavy-Duty 18-Gauge Steel Legs with Fasteners, and Four Adjustable Feet	Tan/Almond	Bag	5	20.76
7809	Square Corner Leg Kit	Kit Includes: Two 20" and Two 30" Square Corner Heavy-Duty 18-Gauge Steel Legs with Fasteners, and Four Adjustable Feet	Gray	Bag	5	20.6
7815	Square Corner Long Leg Kit	Kit Includes: Two 20" and Two 38" Square Corner Heavy-Duty 14-Gauge Steel Legs with Fasteners, and Four Adjustable Feet	Tan/Almond	Bag	5	32

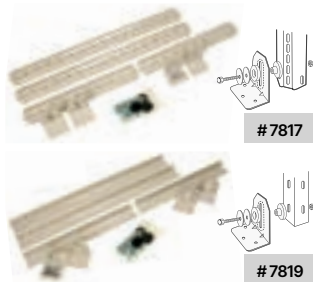


7805

7809

PREMIUM LEG KITS – VIBE-RX™

Premium Leg Kits incorporate the Vibe-Rx™ Iso-Mount™ Anti-Vibration Suspension System which minimizes the transfer of potential mechanical vibration for quieter evaporative cooler operation.



7817

7819

Part #	Model	Description	Color	PKG	CTN QTY	CTN WT
7817	Premium Round Corner Leg Kit	Kit Includes: Two 20" and Two 30" Round Corner Heavy-Duty 18-Gauge Steel Legs with Fasteners, and Four Adjustable Feet	Tan/Almond	Bag	5	32.4
7819	Premium Square Corner Leg Kit	Kit Includes: Two 20" and Two 30" Square Corner Heavy-Duty 18-Gauge Steel Legs with Fasteners, and Four Adjustable Feet	Tan/Almond	Bag	5	25
7820	Premium Square Corner Long Leg Kit	Kit Includes: Two 20" and Two 38" Square Corner Heavy-Duty 14-Gauge Steel Legs with Fasteners, and Four Adjustable Feet	Tan/Almond	Bag	5	37

ROOF JACKS

- For Flat to 6/12 Pitch Roofs
- 28 Gauge Galvanized Sheet Metal
- Includes Slide-In "Winterizer" Damper
- Pre-Installed Rails for Anti-Backdraft Barometric Damper (Not Included)

Part #	Model	Description	PKG	CTN QTY	CTN WT
78317	18" x 18" Down Draft Roof Jack	For 3000-4500 CFM residential coolers. 18" Roof Jacks have a 17¾" discharge opening.	Box	1	15.9
78318	20" x 20" Down Draft Roof Jack	5500-7000 CFM residential coolers. 20" Roof Jacks have a 19¾" discharge opening.	Box	1	17.57

Note: Installation requires cooler support legs (not included).



78317

DRAIN & OVERFLOW PIPE KITS

- Prevents Overflowing of Cooler Pan
- Two Flat Sides to Fit All Evaporative Coolers
- Flat Sided Hex Head for Easy Installation



#9230



#9240



#9247



#9239

DRAIN & OVERFLOW PIPE KITS						
Part #	Model	Description	PKG	CTN QTY	CTN WT	
9239	Cooler Drain/Overflow Pipe Kit	Includes: Drain Bushing with 3/4" Male Garden Hose Thread with Two Flats, Nut, Rubber Washer & Overflow Pipe	Bag	10	1.28	
92395	Cooler Drain/Overflow Pipe Kit	Drain bushing and overflow pipe threads designed to create a superior (positive) seal. For use with #92375 drain bushing (Max Cool® style) only.	Bin Box/Bag	25	1.85	
9230	Brass Drain/Overflow Pipe Kit	Includes: Heavy Duty Brass Drain Bushing with 3/4" Male Garden Hose Threads with Two Flats & 1/2" FPT, Nut, Rubber Washer & 3/2" Threaded Overflow Pipe	Bag	25	3.63	
9254	Brass Drain/Overflow Pipe Kit		Clam	12	2.49	
9240	Nylon Drain/Overflow Pipe Kit	Includes: Nylon Drain Bushing with 3/4" Male Garden Hose Threads with Two Flats & 1/2" FPT, Nut, Rubber Washer & 3/2" Threaded Overflow Pipe	Bag	25	2.09	
92405	Nylon Drain/Overflow Pipe Kit		Bin Box/Bag	25	2.1	
9244	Nylon Drain/Overflow Pipe Kit		Clam	12	1.56	
9247	Poly Drain/Smooth Overflow Pipe Kit	Includes: Polypropylene Drain Bushing with 3/4" Male Garden Hose Threads with Two Flats, Nut, Rubber Washer & 3/2" Non-Threaded Overflow Pipe	Bag	25	1.79	
92475	Poly Drain/Smooth Overflow Pipe Kit		Bin Box/Bag	25	1.65	
9249	Poly Drain/Smooth Overflow Pipe Kit		Clam	12	1.22	



#9205

#9225

#92375

DRAINS						
Part #	Model	Description	PKG	CTN QTY	CTN WT	
9205	Nylon Cooler Drain	Includes: Nylon Drain Bushing with 3/4" Male Garden Hose Threads with Two Flats & 1/2" FPT, Nut & Rubber Washer	Bag	25	1	
9209	Nylon Cooler Drain	Two flat sides to fit all coolers.	Clam	12	0.41	
9225	Brass Cooler Drain	Includes: Heavy Duty Brass Drain Bushing with 3/4" Male Garden Hose Threads with Two Flats & 1/2" FPT, Nut & Rubber Washer	Bag	25	2.8	
92255	Brass Cooler Drain		Bin Box/Bag	25	3.16	
9229	Brass Cooler Drain	Two flat sides to fit all coolers.	Clam	12	1.4	
92375	Max Cool® Cooler Drain	Includes: Drain Bushing with 3/4" Male Garden Hose Thread with Two Flats, Nut & Rubber Washer Drain bushing designed for use with #9239/#92395 overflow pipe (Max Cool® style) only. Two flat sides to fit all coolers.	Bin Box/Bag	20	0.84	

OVERFLOW PIPES						
Part #	Model	Description	PKG	CTN QTY	CTN WT	
9233	3 1/2" Threaded Overflow Pipe		Bulk	50	1.49	
9235	3 1/2" Threaded Overflow Pipe	Standard 3" overflow pipe with 1/2" MPT (3 1/2" overall height). Fits nylon or brass drain bushings with 1/2" FPT.	Bag	25	0.89	
92355	3 1/2" Threaded Overflow Pipe		Bin Box/Bag	25	1.15	
9236	3 1/2" Threaded Overflow Pipe		Clam	12	0.53	
9234	4 1/4" Threaded Overflow Pipe	4 1/4" overflow pipe with 1/2" MPT (4 3/4" overall height). Fits nylon or brass drain bushings with 1/2" FPT.	Bulk	10	0.41	



#9233

BRASS PIPE ADAPTERS

Part #	Model	Description	PKG	CTN QTY	CTN WT
9011	1/2" x 1/8" x 1/2" Pipe Adapter LL	1/2" MPT x 1/2" FPT with 1/8" FPT port. For use on brass, metal or PVC pipe. Use with 1/8" MPT union or angle needle valve to supply water to cooler.	Bulk	10	1.2
9015	1/2" x 1/8" x 1/2" Pipe Adapter LL		Clam	6	0.8
90155	1/2" x 1/8" x 1/2" Pipe Adapter		Bin Box/Bag	6	1.0
9020	3/4" x 1/8" x 3/4" Pipe Adapter LL	3/4" MPT x 3/4" FPT with 1/8" FPT port. For use on brass, metal or PVC pipe. Use with 1/8" MPT union or angle needle valve to supply water to cooler.	Bulk	10	2.2
9026	3/4" x 1/8" x 3/4" Pipe Adapter		Clam	6	1.4
90265	3/4" x 1/8" x 3/4" Pipe Adapter		Bin Box/Bag	6	1.6



#9015

Note: LL – Low Lead (Less than 0.25%)



#9037

#9057

#9124

BRASS HOSE ADAPTERS

Part #	Model	Description	PKG	CTN QTY	CTN WT
9037	Garden Hose Adapter with 1/8" Port	3/4" Male GHT x 3/4" Female GHT with 1/8" FPT port. Use with 1/8" MPT union or angle needle valve to supply water to cooler.	Clam	6	1.3
9056	Garden Hose Float Valve Adapter LL	1/4" compression to connect garden hose to float valve in portable evaporative cooler.	Bulk	10	0.4
9057	Garden Hose Float Valve Adapter		Clam	6	0.7
9124	3/4" Female GHT x 3/4" FPT Adapter LL	For connecting garden hose to brass, metal or PVC pipe.	Bag	25	2.77
6967	Garden Hose Washer	Rubber washer for garden hose float valve adapters.	Bulk	10	0.04

Note: LL – Low Lead (Less than 0.25%)

SILL COCKS

Part #	Model	Description	PKG	CTN QTY	CTN WT
9250	Sill Cock	Nickel plated zinc, 3/4" Female GHT x 3/4" Male GHT with 1/8" FPT port. Use to run water from standard garden hose bib to an evaporative cooler. Use with 1/8" MPT union or angle needle valve for water outlet to cooler.	Label	12	5.23
9251	Brass Sill Cock	Brass body, 3/4" Female GHT x 3/4" Male GHT with 1/8" FPT port. Use to run water from standard garden hose bib to an evaporative cooler. Use with 1/8" MPT union or angle needle valve for water outlet to cooler.	Label	12	5.62
92515	Brass Sill Cock		Bin Box/Label	12	5.43
92516	Brass Sill Cock LL		Bulk	144	60
9252	Brass Sill Cock	Brass body, 3/4" FPT x 3/4" Male GHT with 1/8" FPT Port. Use to run water from a 3/4" MPT pipe to an evaporative cooler. Use with 1/8" MPT union or angle needle valve for water outlet to cooler.	Clam	8	5.69
9253	Brass Sill Cock		Label	12	4.33
9257	3/4" FPT Brass Sill Cock	Brass body, 3/4" FPT x 3/4" Male GHT with 1/8" FPT Port. Use to run water from a 3/4" MPT pipe to an evaporative cooler. Use with 1/8" MPT union or angle needle valve for water outlet to cooler.	Bin Box/Label	12	4.28
92575	3/4" FPT Brass Sill Cock		Bulk	10	0.74
92576	3/4" FPT Brass Sill Cock LL		Bulk	10	1.23
9520	1/8" MPT Brass Plug	Winter seal for sill cock.	Clam	10	0.25



#9250

#9251

Note: LL – Low Lead (Less than 0.25%)

COMPRESSION SLEEVES & NUTS

Part #	Model	Description	PKG	CTN QTY	CTN WT
9302	1/4" Compression Sleeve LL		Bulk	200	0.33
93055	1/4" Compression Sleeve LL (5 per)	Standard brass compression sleeve for connecting 1/4" O.D. copper tubing to brass compression fittings.	Bin Box/Bag	50	0.93
9310	1/4" Compression Sleeve LL (4 per)		Clam	10	0.14
9309	3/8" Compression Sleeve LL	Brass compression sleeve for connecting 3/8" O.D. copper tubing to brass compression fittings.	Bulk	25	0.06
9313	1/4" Compression Nut		Bulk	100	1.13
9316	1/4" Compression Nut (5 per)	Standard brass compression nut for connecting 1/4" O.D. copper tubing to brass compression fittings.	Bag	10	0.6
93165	1/4" Compression Nut (5 per)		Bin Box/Bag	50	3.25
9321	3/8" Compression Nut	Brass compression nut for connecting 3/8" O.D. copper tubing to brass compression fittings.	Bulk	25	0.47
9311	1/4" Sleeve & 1/4" Nut LL (2 & 2 per)	Standard brass compression sleeve and nut for connecting 1/4" O.D. copper tubing to brass compression fittings.	Clam	10	0.36
93125	1/4" Sleeve & 1/4" Nut LL (2 & 2 per)		Bin Box/Bag	50	1.84



Note: LL – Low Lead (Less than 0.25%)

COMPRESSION UNIONS

Part #	Model	Description	PKG	CTN QTY	CTN WT
9324	1/4" Compression Union LL	Standard brass compression union for connecting 1/4" O.D. copper and/or poly tubing. Poly tubing connections require poly tube adapter (not included).	Bulk	100	4.33
9328	1/4" Compression Union		Bag	10	0.53
93285	1/4" Compression Union		Bin Box/Bag	50	2.97
9329	1/4" Compression Union	Standard brass compression union for connecting 1/4" O.D. copper and/or poly tubing. Poly tube adapters included.	Clam	10	0.56
93296	1/4" Compression Union LL		Clam	10	0.56
9334	3/8" Compression Union LL	Brass compression union for connecting 3/8" O.D. copper and/or poly tubing. Poly tubing connections require poly tube adapter (not included).	Bulk	25	1.9



#9324

Note: LL – Low Lead (Less than 0.25%)

REDUCING, MALE & FEMALE COMPRESSION UNIONS

Part #	Model	Description	PKG	CTN QTY	CTN WT
9343	1/4" x 3/8" Reducing Union LL	1/4" compression x 3/8" compression brass reducing union for 1/4" O.D. copper or poly tubing. Poly tubing connections require poly tube adapter (not included).	Bulk	25	1.7
9345	1/4" x 3/8" Reducing Union		Clam	10	0.8
9357	1/4" x 1/8" Female Union	1/4" compression x 1/8" FPT brass female union for 1/4" O.D. copper or poly tubing. Poly tubing connections require poly tube adapter (not included).	Clam	10	1.32
9372	1/4" x 1/8" Male Union LL	1/4" compression x 1/8" MPT brass male union for 1/4" O.D. copper or poly tubing. Poly tubing connections require poly tube adapter (not included).	Bulk	25	0.84
93735	1/4" x 1/8" Male Union		Bin Box/Bag	50	2.21
9375	1/4" x 1/8" Male Union		Clam	10	0.4
9377	1/4" x 1/4" Male Union LL	1/4" compression x 1/4" MPT brass male union for 1/4" O.D. copper or poly tubing. Poly tubing connections require poly tube adapter (not included).	Bulk	25	1.3



Note: LL – Low Lead (Less than 0.25%)

COMPRESSION TEES & ELBOWS

Part #	Model	Description	PKG	CTN QTY	CTN WT
93902	1/4" x 1/8" x 1/4" Male Branch Tee	1/4" compression x 1/8" MPT x 1/4" compression tee for 1/4" O.D. copper or poly tubing. Poly tube adapters included.	Clam	10	0.58
93922	1/4" x 1/4" Compression Elbow	90° 1/4" compression elbow for 1/4" O.D. copper or poly tubing. Poly tube adapters included.	Clam	10	0.73
9395	1/4" x 1/4" x 1/4" Compression Tee LL	1/4" compression tee for 1/4" O.D. copper or poly tubing. Poly tubing connections require poly tube adapter (not included).	Bulk	25	2.22
9396	1/4" x 1/4" x 1/4" Compression Tee		Clam	10	0.97
93975	1/4" x 1/4" x 1/4" Compression Tee	1/4" compression tee for 1/4" O.D. copper or poly tubing. Poly tube adapters included.	Bin Box/Bag	50	4.92



Note: LL – Low Lead (Less than 0.25%)

SADDLE VALVES

Part #	Model	Description	PKG	CTN QTY	CTN WT
9267	1/4" Self-Piercing Saddle Valve		Bulk	200	46.75
9268	1/4" Self-Piercing Saddle Valve	1/4" Compression valve outlet. For use with 3/8" - 1 1/8" O.D. copper or steel pipe. Steel pipes require a 5/32" pilot hole before installation. Do not use on PVC pipes.	Bag	25	5.7
92685	1/4" Self-Piercing Saddle Valve		Bin Box/Bag	25	5.76
9270	1/4" Self-Piercing Saddle Valve		Clam	8	2.19
9446	1/4" Ball Valve & Brass Saddle	1/4" Compression chrome plated brass ball valve with stainless steel ball and brass saddle valve. For use with 3/8" - 1 1/8" O.D. pipe with 1/4" pre-drilled hole. Ball valve fits 1/4" O.D. copper or poly tubing. Poly tube adapter included.	Clam	10	5.69



NEEDLE VALVES

Part #	Model	Description	PKG	CTN QTY	CTN WT
9401	1/4" cc x 1/4" cc In Line Needle Valve LL	1/4" x 1/4" Compression in line needle valve for 1/4" O.D. copper or poly tubing. Poly tubing connections require poly tube adapter (not included).	Bulk	100	10.8
94045	1/4" cc x 1/4" cc In Line Needle Valve		Bin Box/Bag	50	5.0
94046	1/4" cc x 1/4" cc In Line Needle Valve LL	1/4" x 1/4" Compression needle valve for 1/4" O.D. copper or poly tubing. Poly tube adapters included.	Bin Box/Bag	50	5.1
9406	1/4" cc x 1/4" cc In Line Needle Valve		Clam	10	1.1
9418	1/4" cc x 1/8" MPT Straight Needle Valve LL	1/4" Compression x 1/8" MPT straight needle valve for 1/4" O.D. copper or poly tubing. Poly tubing connections require poly tube adapter (not included).	Bulk	25	1.9
94195	1/4" cc x 1/8" MPT Straight Needle Valve		Bin Box/Bag	50	4.1
94196	1/4" cc x 1/8" MPT Straight Needle Valve LL	1/4" Compression x 1/8" MPT straight needle valve for 1/4" O.D. copper or poly tubing. Poly tube adapter included.	Bin Box/Bag	50	4.3
9421	1/4" cc x 1/8" MPT Straight Needle Valve		Clam	10	0.8
9436	1/4" cc x 1/8" MPT Angle Needle Valve LL	1/4" Compression x 1/8" MPT angle needle valve for 1/4" O.D. copper or poly tubing. Poly tubing connections require poly tube adapter (not included).	Bulk	100	6.4
9439	1/4" cc x 1/8" MPT Angle Needle Valve		Bag	10	0.7
94395	1/4" cc x 1/8" MPT Angle Needle Valve		Bin Box/Bag	50	3.9
94396	1/4" cc x 1/8" MPT Angle Needle Valve LL	1/4" Compression x 1/8" MPT angle needle valve for 1/4" O.D. copper or poly tubing. Poly tube adapter included.	Bin Box/Bag	50	4.0
9440	1/4" cc x 1/8" MPT Angle Needle Valve		Clam	10	0.7
94406	1/4" cc x 1/8" MPT Angle Needle Valve LL		Clam	10	0.8

Note: LL – Low Lead (Less than 0.25%)

BALL VALVES - STAINLESS STEEL BALL

- Chrome Plated Brass Valve
- Stainless Steel Ball

- Resists Corrosion
- Stainless Steel Ball Lasts Longer than Brass

Part #	Model	Description	PKG	CTN QTY	CTN WT
9425	1/4" cc x 1/8" MPT Straight Ball Valve	1/4" compression x 1/8" MPT straight ball valve for 1/4" O.D. copper or poly tubing. Poly tubing connections require poly tube adapter (not included).	Bulk	25	5.23
9426	1/4" cc x 1/8" MPT Straight Ball Valve	1/4" compression x 1/8" MPT straight ball valve for 1/4" O.D. copper or poly tubing. Poly tube adapter included.	Clam	10	5.62
9442	1/4" cc x 1/8" MPT Angle Ball Valve	1/4" compression x 1/8" MPT angle ball valve for 1/4" O.D. copper or poly tubing. Poly tubing connections require poly tube adapter (not included).	Bulk	25	5.43
9443	1/4" cc x 1/8" MPT Angle Ball Valve	1/4" compression x 1/8" MPT angle ball valve for 1/4" O.D. copper or poly tubing. Poly tube adapter included.	Bin Box/Clam	10	60
9447	1/4" cc x 1/4" cc Straight Ball Valve	1/4" compression x 1/4" compression straight ball valve for 1/4" O.D. copper or poly tubing. Poly tubing connections require poly tube adapter (not included).	Bulk	25	4.33
9448	1/4" cc x 1/4" cc Straight Ball Valve	1/4" compression x 1/4" compression straight ball valve for 1/4" O.D. copper or poly tubing. Poly tube adapters included.	Clam	10	4.28



BRASS UNIONS FOR POLY TUBING

Part #	Model	Description	PKG	CTN QTY	CTN WT
9462	¼" Poly Tube Union	Connects ¼" O.D. poly tubing.	Clam	10	0.44
9480	¼" Poly x ⅛" MPT Male Union	Connects ¼" O.D. poly tube to a ⅛" FPT fitting.	Clam	10	0.35



#9462



#9480



#9493

#9497

#9500

BRASS ADAPTERS FOR POLY TUBING

Part #	Model	Description	PKG	CTN QTY	CTN WT
9493	¼" Poly Tube Adapter LL	For using ¼" brass compression fittings with ¼" O.D. poly tubing. Compression sleeve not required.	Bulk	25	0.1
9495	¼" Poly Tube Adapter (4 per)		Clam	10	0.2
9497	¼" Poly Tube Insert Adapter LL	Adapts ¼" O.D. poly tube for use with brass ¼" compression fittings using a ¼" compression sleeve.	Bulk	25	0.04
9498	¼" Poly Tube Insert Adapter LL (4 per)		Clam	10	0.13
9500	¼" Poly Tube Barb Adapter LL		Bulk	100	0.64
95035	¼" Poly Tube Barb Adapter (4 per)	Adapts ¼" O.D. poly tube for use with brass ¼" compression fittings. Wide end of adapter functions as a compression sleeve.	Bin Box/Bag	50	1.74
9504	¼" Poly Tube Barb Adapter (4 per)		Clam	10	0.35
95046	¼" Poly Tube Barb Adapter LL (4 per)		Clam	10	0.35

Note: LL – Low Lead (Less than 0.25%)

SLEEVES FOR POLY TUBING

Part #	Model	Description	PKG	CTN QTY	CTN WT
9510	¼" Plastic Sleeve	¼" Delrin® plastic sleeve for use with ¼" O.D. poly tubing only.	Bulk	100	0.04
9512	¼" Plastic Sleeve & Poly Tube Insert LL (2 & 2 per)	¼" Delrin® plastic sleeve and brass poly tube insert for use with ¼" compression fittings.	Clam	10	0.1

Note: LL – Low Lead (Less than 0.25%)



#9510



#9512



#9532

#9536

#9538

QUICK CONNECT FITTINGS

Part #	Model	Description	PKG	CTN QTY	CTN WT
9532	¼" cc x ¼" cc Quick Connect Union	¼" Compression x ¼" compression quick connect union for ¼" O.D. copper tube or poly tube. Not for use with potable water lines.	Bulk	25	0.29
9533	¼" cc x ¼" cc Quick Connect Union		Clam	10	0.2
9536	¼" cc x ⅛" MPT Quick Connect Male Union	¼" Compression x ⅛" MPT quick connect union for connecting ¼" O.D. copper tube or poly tube to ⅛" FPT fittings. Not for use with potable water lines.	Clam	10	0.2
9538	¼" cc x ¼" cc ¼" cc Quick Connect Tee	¼" Compression quick connect tee for ¼" O.D. copper tube or poly tube. Not for use with potable water lines.	Bulk	25	0.42
9539	¼" cc x ¼" cc ¼" cc Quick Connect Tee		Clam	10	0.25

EVAPORATIVE COOLER COVERS

Durable WeatherGuard™ Fabric

- Breathable Fabric with Double Stitched Seams
- 50% Lighter than Canvas and Just as Strong

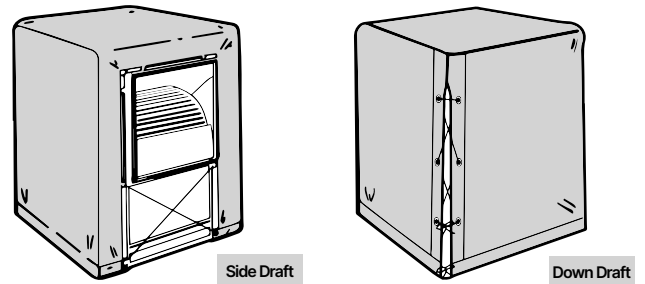
All Season Protection

- Protects Cooler from Rain, Snow, Wind and Dirt
- Reduces Home Heat Loss

Heavy-Duty Closure System

- Extra-Strong Draw Rope and Brass Grommets
- Adjustable to Fit Multiple Cooler Models

Folds Smaller for Easy Storage



One Year Warranty

SIDE DRAFT COOLER COVERS

Part #	Dimensions (W x D x H)	Size Reference	Draft Type	CTN QTY	CTN WT
8701	22" x 22" x 27"	Arctic Circle TW2800, Wisper Cool WV3000	Side	5	6
8702	25" x 18" x 28"	Champion® WV2800, Essick® WV2800, Marquis WV 2800	Side	5	5.73
8726	28" x 28" x 29"	Arctic Circle, Arvin®, Goettl® H332-A, Wisper Cool 3000 / WV3000	Side	5	8
8727	28" x 28" x 32"	Alpine RW4000 & S30A, Arctic Circle RC40W / EW445 / ES330G / SS330G, Brisa BW3500 / BH3000, Frigiking® W302 / FS350, Williams 3000, Wisper Cool WV4000	Side	5	8
8728	28" x 28" x 34"	Arvin® WV4500, Champion® 3000 / WV3500, Marquis 3000 / WV3500, McGraw 3000, Phoenix® 3000, Williams 3000	Side	5	7.43
8740	29" x 29" x 36"	Arvin® WV4500, Frigiking® WV4000, Phoenix® WV 4000	Side	5	8
8741	34" x 28" x 36"	Brisa BW5500, Champion® WC44, Essick® N41W / N48W, Phoenix® WH4402 / WH4802	Side	5	9
8742	34" x 28" x 40"	Champion® WC42 / WC47 / WC49, Marquis WV4200 / WV4700 / WV4900, McGraw WV4800	Side	5	9
8745	34" x 34" x 36"	Alpine RW4000 / RW5000 / S45A, Arctic Circle 4300 / WV4500 / WV4800, Brisa 5000 / BH4000 / BW4500, Champion® 4001 / WC46/50 / RWC46/50, Essick® N4000S / N4500S, Frigiking® W453 / W482 / FD450, Goettl® H432-A / H482-A, Phoenix® HM4800, Williams 4500, Wisper Cool 4000 / WV4500 / WV5000	Side	5	9.48
8750	34" x 34" x 40"	Champion® 4000 / 4500, Marquis 4000, McGraw 4500, Phoenix® 4500 (before 1985), Williams 4500 (before 1986)	Side	5	9.98
8756	37" x 37" x 42"	Alpine S65A, Arctic Circle ES630G / SS630G, Brisa BH5000, Essick® N5500S / N6500S, Frigiking® FS650, Wisper Cool 5500	Side	5	11.06
8761	37" x 37" x 45"	McGraw 6500	Side	5	12
8767	40" x 40" x 45"	Champion® & Marquis 5000/5500/6500, Goettl® H582-A / H682-A	Side	5	13
8773	38" x 38" x 40"	Phoenix® HM6800, Williams 6500	Side	5	11.22
8777	42" x 43" x 34"	MasterCool® EC640 / MC64 / CMC641-642	Side	5	12
8778	42" x 45" x 35"	Oversized for units with a junction box. AeroCool® ACD 5800/6800, AeroCool® Pro PH6800 & PH6230, AeroCool® Trophy TH6800	Side	5	13
8779	42" x 45" x 28"	ComfortCool™ SI500S, UltraCool® ASA50	Side	5	11
8780	42" x 48" x 35"	ComfortCool™ SI700S, UltraCool® ASA70	Side	5	13
8788	42" x 52" x 35"	MasterCool® 7000CFM Rigid Media Coolers	Side	5	12.81
8799	42" x 43" x 28"	MasterCool® EC440 / MC44 / CMC441-442	Side	5	10
8901	42" x 43" x 28"	Oversized for units with a junction box. AeroCool® 4000 / AH4800 / PH4801-4231, AeroCool® Trophy TH4800	Side	5	11.71
8870	62" x 62" x 62"	Arvin® / Champion® / Essick® 14,000-21,000, Goettl® H2280, Phoenix® H-2128	Side	5	24

DOWN DRAFT COOLER COVERS

Part #	Dimensions (W x D x H)	Size Reference	Draft Type	CTN QTY	CTN WT
8900	42" x 43" x 28"	Astro-Air® MD430 / MD440, MasterCool® EC430 / MC43 / CMC431-432	Down	5	12
8902	42" x 43" x 28"	Oversized for units with a junction box. AeroCool® 4400/4800 & AD4800, AeroCool® Pro PD4230 / PD4800, AeroCool® Trophy TD4800	Down	5	12
8903	36" x 36" x 40"	Oversized for units with a junction box.	Down	5	11.5
8904	28" x 28" x 29"	Arctic Circle 3000, Goettl® D332-A, Wisper Cool 3000	Down	5	8.22
8905	41" x 41" x 29"	Tradewinds™ TC451	Down	5	11
8906	45" x 45" x 34"	Tradewinds™ TC571	Down	5	13
8910	28" x 28" x 32"	Alpine D30A, Arctic Circle ED330G / SS330G, Brisa BD3000, Frigiking® FD350, Phoenix® WH3302	Down	5	8.52
8912	28" x 28" x 34"	Champion® / Marquis 3000, McGraw 3000, Williams 3000	Down	5	8.03
8917	30" x 30" x 33"	Phoenix® DM3300	Down	5	9
8929	34" x 34" x 36"	Alpine D45A, Arctic Circle ED430G / SD430G, Brisa BD4000, Champion® 4001, Essick® N4300D / N4800D, Frigiking® FD450, Goettl® D432-A / D482-A, Phoenix® DN4800	Down	5	10.5
8935	34" x 34" x 40"		Down	5	10.61
8941	37" x 37" x 42"	Alpine D54A, Arctic Circle ED630G / SD630G, Arvin® 6500, Brisa BD5000, Essick® N5600D / N6600D, Frigiking® FD650, Wisper Cool 6500	Down	5	12.36
8946	37" x 37" x 45"	McGraw 6500	Down	5	12.6
8948	40" x 40" x 43"	Champion® / Marquis 5000/5500/6500, Goettl® D582-A / D682-A	Down	5	14.05
8950	40" x 40" x 45"		Down	5	13.4
8961	34" x 34" x 34"	Essick® 4300 & 4800	Down	5	10
8967	37" x 37" x 37"		Down	5	12
8970	46" x 46" x 26"	BreezAir® EM137/145/155	Down	5	12
8971	46" x 46" x 34"	BreezAir® EM265-275	Down	5	13
8979	38" x 38" x 40"	Phoenix® DM6800, Williams 6500	Down	5	12
8980	42" x 47" x 33"	MasterCool® II HP (w/12" pad) HC63 / HPC630 / CHC631-632	Down	5	13
8983	42" x 45" x 28"	ComfortCool™ SI500D, UltraCool® ADA50	Down	5	11
8984	42" x 48" x 35"	AeroCool® Trophy TD6812, Astro-Air SIPB-335 & SIPB45, ComfortCool™ SI700D, UltraCool® ADA70	Down	5	13
8985	38" x 38" x 44"	Phoenix® 6500 (before 1985)	Down	5	13
8987	42" x 43" x 34"	Astro-Air MD630-640, MasterCool® EC630 / MC63 / CMC631-632	Down	5	12
8989	42" x 52" x 35"	MasterCool® 7000CFM Rigid Media Coolers	Down	5	13.61
8990	42" x 45" x 35"	Oversized for units with a junction box. AeroCool® ACD 5800/6800, AeroCool® Pro PD6230 / 6231 / 6800 / 6801, AeroCool® Trophy TD6800	Down	5	14
8842	50" x 50" x 54"	Arvin® / Champion® / Essick® 10,500-12,500, Goettl® D1480, McGraw	Down	5	20.73
8881	42" x 42" x 54"	Arvin® / Champion® / Essick® 7500-8500, Goettl® D750-850, McGraw, Phoenix® D-7800 / D-8800	Down	5	17
8882	62" x 62" x 62"	Arvin® / Champion® / Essick® 14,000-21,000, Goettl® D2280, Phoenix® D-2128-2130-2231	Down	5	11
8883	52" x 52" x 52"	Phoenix® D1424 (10,500-12,500)	Down	5	20

ROUND DOWN DRAFT COOLER COVERS

Part #	Dimensions (DIA x H)	Size Reference	Draft Type	CTN QTY	CTN WT
8891	40" x 33"	Aireze™ F3 Downdraft 4400-4800-5400	Down	5	9
8892	45" x 36"	Aireze™ F4 Downdraft 5800-6800-7400	Down	5	11



Round Down Draft



8992

NARROW PROFILE WINDOW COOLER COVER

Part #	Dimensions (W x D x H)	Size Reference	CTN QTY	CTN WT
8992	34" x 11" x 47"	Bonaire® Durango®, MasterCool® MCP44, Mirage WPL44/WPL44NP	5	5.9

TURBINE VENTILATOR COVER

Part #	Model	Description	CTN QTY	CTN WT
8995	Turbine Cover	Fits 12" turbines with external support structure and 14" turbines with internal support structure.	6	3.83



8995

COOLER COVER ACCESSORIES

Part #	Model	Description	PKG	CTN QTY	CTN WT
8237	EZ-Strap™ Cooler Cover Straps (2 per)	1 in. x 15 ft. Weather resistant straps with heavy duty metal buckles for use with cooler covers. Fits all residential coolers.	Bag	10	8.22



8237



PORTABLE EVAPORATIVE COOLERS

ECONOMICAL COOLING — MOST EFFECTIVE IN DRY CLIMATES



81030



81040



81050



81060



81070



81075

- ETL Certified
- High Efficiency 3 Speed Motor
- Quiet Fan Operation
- 3-Sided High Efficiency Rigid Media Pads*
- WeatherGuard™ Cooler Cover Included*
- One Year Warranty

Portable Evaporative Coolers harness the cooling effect of water evaporation to provide economical cool air for any well ventilated indoor or outdoor space. Portable Evaporative Coolers are not an air conditioner.

PORTABLE EVAPORATIVE COOLERS

- Manual Fill & Garden Hose Attachment with Float Valve Auto-Shut-Off
- Water Level Indicator Window

- Removable & Washable Dust Screen*
- 4-Way Airflow (Auto Vertical Louver & Manual Horizontal Louver)*

Part #	Model	Cooling Area	Control Type	Timer	Ice Pack	Motor	Reservoir Size	PKG	CTN QTY	CTN WT
81030	1300CFM Portable Evaporative Cooler (PEC-A-1300-1M)	Up to 500 sqft.	Manual	—	—		5.2 gal.	Box	1	16.5
81040	1350CFM Portable Evaporative Cooler (PEC-A-1350-1RC)	Up to 550 sqft.	Touch Screen / Remote	7.5 hr	1	1/6 HP	6.6 gal.	Box	1	17.2
81050	2200CFM Portable Evaporative Cooler (PEC-A-2200-1RC)	Up to 750 sqft.	Touch Screen / Remote	7.5 hr	1	1/5 HP	9.5 gal.	Box	1	29.76
81060	3500CFM Portable Evaporative Cooler (PEC-A-3500-1M)	Up to 1000 sqft.	Manual	—	1	1/3 HP	13.2 gal.	Box	1	37.92
81070	5300CFM Portable Evaporative Cooler (PEC-A-5300-1M)	Up to 1650 sqft.	Manual	—	1	1/2 HP	15.8 gal.	Box	1	42.55
81075	7500CFM Portable Evaporative Cooler (PEC-A-7500-1M)	Up to 2300 sqft.	Manual	—	—	1.25 HP	26.4 gal.	Box	1	97

*Note: Feature does not apply to #81030. #81030 has 2-way airflow (manual horizontal louver & fixed vertical louver) and a single (rear) rigid media pad.



PORTABLE EVAPORATIVE COOLER PARTS						
Part #	Model	Description	PKG	CTN QTY	CTN WT	
82031	Water Pump - 1300CFM	Fits Dial® 1300CFM portable evaporative coolers.	Box	1	0.05	
82022	Water Pump - 1350CFM	Fits Dial® 1350CFM portable evaporative coolers.	Box	1	0.05	
82000	Water Pump - 2200CFM	Fits Dial® 2200CFM portable evaporative coolers.	Box	1	0.45	
82020	Water Pump - 3500/5300CFM	Fits Dial® 3500/5300CFM portable evaporative coolers.	Box	1	0.85	
82021	Water Pump - 7500CFM	Fits Dial® 7500CFM portable evaporative coolers.	Box	1	1	
82001	Float Valve Set	Fits all Dial® portable evaporative coolers.	Box	1	0.15	
82002	Manual Control Dial	Fits Dial® 3500/5300/7500CFM portable evaporative coolers.	Box	1	0.01	
82003	Remote Control	For use with Dial® 1350/2200CFM portable evaporative coolers.	Box	1	0.05	
82032	Fan Blade - 1300CFM	Fits Dial® 1300CFM portable evaporative coolers.	Box	1	0.4	
82025	Fan Blade - 1350CFM	Fits Dial® 1350CFM portable evaporative coolers.	Box	1	0.45	
82004	Fan Blade - 2200CFM	Fits Dial® 2200CFM portable evaporative coolers.	Box	1	0.98	
82005	Fan Blade - 3500CFM	Fits Dial® 3500CFM portable evaporative coolers.	Box	1	1.92	
82006	Fan Blade - 5300CFM	Fits Dial® 5300CFM portable evaporative coolers.	Box	1	2.75	
82007	Fan Blade - 7500CFM (Aluminum)	Fits Dial® 7500CFM portable evaporative coolers.	Box	1	4.87	
82033	Rigid Media Pad - 1300CFM (1 per)	Fits Dial® 1300CFM portable evaporative coolers.	Box	1	1.04	
82023	Rigid Media Pad Set - 1350CFM	Fits Dial® 1350CFM portable evaporative coolers.	Box	1	1.04	
82008	Rigid Media Pad Set - 2200CFM	Fits Dial® 2200CFM portable evaporative coolers.	Box	1	1.43	
82009	Rigid Media Pad Set - 3500CFM	Fits Dial® 3500CFM portable evaporative coolers.	Box	1	1.92	
82010	Rigid Media Pad Set - 5300CFM	Fits Dial® 5300CFM portable evaporative coolers.	Box	1	3.7	
82011	Rigid Media Pad Set - 7500CFM	Fits Dial® 7500CFM portable evaporative coolers.	Box	1	6.78	
82024	Dust Cover/Screen Set - 1350CFM	Fits Dial® 1350CFM portable evaporative coolers.	Box	1	0.1	
82012	Dust Cover/Screen Set - 2200CFM	Fits Dial® 2200CFM portable evaporative coolers.	Box	1	0.3	
82013	Dust Cover/Screen Set - 3500CFM	Fits Dial® 3500CFM portable evaporative coolers.	Box	1	0.3	
82014	Dust Cover/Screen Set - 5300CFM	Fits Dial® 5300CFM portable evaporative coolers.	Box	1	0.3	
82015	Dust Cover/Screen Set - 7500CFM	Fits Dial® 7500CFM portable evaporative coolers.	Box	1	0.3	
82016	Drain Plug - 2200CFM	Fits Dial® 2200CFM portable evaporative coolers.	Box	1	0.01	
82017	Drain Plug - 1300/3500/5300/7500CFM	Fits Dial® 1300/3500/5300/7500CFM portable evaporative coolers.	Box	1	0.01	
82018	Hose Adapter	Fits all Dial® portable evaporative coolers.	Box	1	0.1	
82019	Ice Pack (1 per)	For use with Dial® 1350/2200/3500/5300CFM portable evaporative coolers.	Box	1	0.5	
82034	Wheel - 1300CFM (1 per)	Fits Dial® 1300CFM portable evaporative coolers.	Box	1	0.4	
82030	Wheel - 1350/2200CFM (1 per)	Fits Dial® 1350/2200CFM portable evaporative coolers.	Box	1	0.4	
82029	Wheel - 3500/5300CFM (1 per)	Fits Dial® 3500/5300CFM portable evaporative coolers.	Box	1	0.7	
82028	Wheel - 7500CFM (1 per)	Fits Dial® 7500CFM portable evaporative coolers.	Box	1	1.25	



MINI-SPLIT AIR CONDITIONERS

DIAL® MINI-SPLIT SYSTEMS — AHRI LISTED & ETL CERTIFIED 7 YEARS COMPRESSOR / 2 YEARS PARTS WARRANTY

SINGLE ZONE MINI-SPLIT AIR CONDITIONER SYSTEMS



- Air Conditioning & Heating
- 115V & 208-230V Single Zone Inverter Technology
- 4 Direction Air Flow
- Eco-Friendly R-410A Refrigerant

System Includes: Indoor Wall Unit, Outdoor Unit, Wireless Remote Control & 16ft. Line-Set Package

Dial® mini-splits are designed to provide efficient cooling and heating to individual rooms or zones. Unlike conventional ducted heating and cooling systems, ductless mini-split systems only focus on one designated area, which reduces energy consumption and utility costs.

Also Available:
Cooling Only Capable Single Zone Mini-Split Systems

UNITARY SINGLE ZONE MINI-SPLIT AIR CONDITIONER UNITS

- Air Conditioning & Heating
- Full DC Inverter with Pulse Amplitude Modulation (PAM)
- Built-In Drain Pump
- Eco-Friendly R-410A Refrigerant

Dial® unitary mini-splits provide efficient cooling and heating to individual rooms or zones using a single compact outdoor unit with a ceiling cassette or concealed duct indoor unit.



MULTI-ZONE MINI-SPLIT AIR CONDITIONER UNITS



- Air Conditioning & Heating
- Full DC Inverter with Pulse Amplitude Modulation (PAM)
- 3 Types of Compatible Indoor Units
- Eco-Friendly R-410A Refrigerant

Control temperatures in up to four separate zones with Dial® multi-zone mini-split systems. Our multi-zone systems connect a single compact outdoor condensing unit to compatible indoor units (multi-zone wall-mount, ceiling cassette and concealed duct).

More Information About Dial® Mini-Splits is Available at www.dialmfg.com/ms

Dial[®]

DIAL MANUFACTURING, INC.

430 North 47th Avenue
Phoenix, AZ 85043

1-800-350-DIAL • (602) 278-1100
Fax (602) 278-1991

www.dialmfg.com