



Worldwide
ELECTRIC CORPORATION

Electric
Motors

(800) 808-2131
worldwideelectric.com



Electric Motors

Stock Products Catalog

2024-2025

WorldWide Electric's complete line of motors, including Fractional HP, Stainless, Jet Pump, Farm Duty, Premium Efficient, Explosion Proof, Rock Crusher, Oil Well Pump and More ...



WorldWide Electric Motors

Proven, efficient & reliable

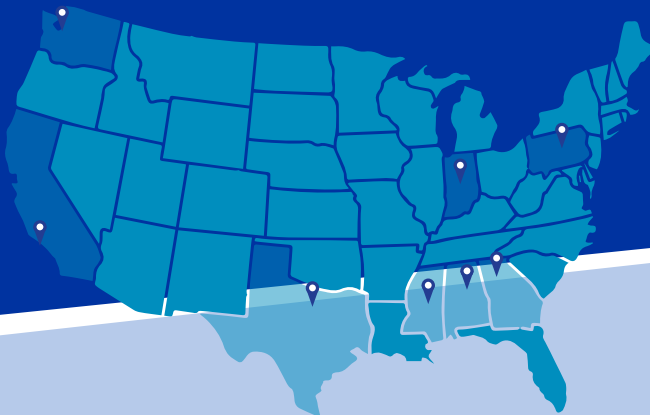
WorldWide Electric is a leading manufacturer of electric motors, motor controls, gear reducers, and generators. For 25 years, we have been responding to customer needs with a shared sense of urgency.

No matter what industry – agriculture, construction, aggregate, material handling, oil and gas, irrigation, wastewater, food processing, or manufacturing – we know every moment of downtime reduces productivity and impacts the bottom line. That’s why we still live by our founding customer-centric philosophy -providing quality products, a large selection of in-stock inventory, and fast shipping, all backed by exceptional customer support.

Our Motors are backed by exceptional technical support. Our highly knowledgeable team is available during standard business hours for basic programming and troubleshooting assistance and 24/7, including weekends and holidays, for emergency breakdown support.



Atlanta, GA | Dallas, TX | Hernando, MS | Indianapolis, IN | Milton, PA | Rancho Cucamonga, CA | Seattle, WA | Warrior, AL



Responsive Support
Sales, Service & Technical



Quality Products
Competitive Pricing



In Stock Availability
Warehouses Nationwide



Fast Shipping
Same-Day Available

Section 1: Fractional HP Motors	3	Multiplier
General Purpose TEFC	4-7	_____
Jet Pump ODP TEFC	6-9	_____
Permanent Magnet DC TEFC TENV	10-11	_____
Stearns Double C-Face Coupler Brakes	12	_____
Section 2: Wash-down Duty, Stainless Steel Motors	13	
Premium Efficient TEFC IP69K	14-15	_____
Premium Efficient TENV IP69K	16-17	_____
Stainless Steel TEFC IP56	18	_____
Stainless Steel TENV IP56	18	_____
Premium Efficient TEFC Close Coupled Pump IP69k	19	_____
Section 3: Farm Duty Motors	21	
Fractional TEFC TENV	22	_____
Integral TEFC TENV	23	_____
Grain Dryer, Centrifugal Fan TEFC	24	_____
Section 4: IEC Aluminum Frame Metric Motors	25	
TEFC Multi-mount	26-27	_____
IEC FF Flanges and C-Flanges	26	_____
Section 5: Open Drip Proof (ODP) Motors	29	
Premium Efficient Rigid Base	30-32	_____
Grounding Rings	35	_____
Premium Efficient C-Face with Feet	34	_____
Premium Efficient Close Coupled Pump	35-36	_____
Section 6: General, Severe & Marine Duty Motors	37	
PEWWE Premium Efficient TEFC	38-41	_____
PEWWE Premium Efficient Rock Crusher Duty TEFC	42-43	_____
PEWWE Accessories Bearing Protectors and Flange Kits	44	_____
PEWWE TEFC C-Face with Feet	45-46	_____
PEWWE Explosion Proof TEXP Enclosure	47-48	_____
PEWWE Close-coupled Pump TEFC	49-50	_____
Louis Allis TEFC Meets IEEE 45	51-54	_____
Louis Allis Accessories Flanges and Covers	55	_____
Louis Allis TEFC C-Face with Feet Meets IEEE 45	56-57	_____
Louis Allis TEFC C-Face Round Body Meets IEEE 45	58	_____
Section 7: Close-Coupled Pump Motrs	59	
Premium Efficient TEFC Close Coupled Pump IP69k	60	_____
Premium Efficient Close Coupled Pump	61-62	_____
PEWWE Close-coupled Pump TEFC	63-64	_____
Premium Efficient Close-coupled Pump TEFC Enclosure JM-JP Frame	65-66	_____
Section 8: Vertical Hollow Shaft Motors	67	
Vertical Hollow Shaft Motors	68	_____
Couplings and Bases	69-70	_____

Continued...

Table Of Contents



Section 9: Oil Well Pump Motors	71
Oil Well TEFC	72

Section 10: Motor Slide Bases	73
Motor Slide Bases	73



Section 11: North American Electric Motors	75
General Purpose Heavy Duty Cast Iron	76-80
General Purpose C-Flange w/Feet Heavy Duty Cast Iron	81-83
General Purpose C-Flange/Round Body Heavy Duty Cast Iron	84
Crusher Duty Design C Heavy Duty Cast Iron	85-86
Crusher Duty C-Flange w/Feet Heavy Duty Cast Iron	87-88
Explosion Proof Cast Iron	89
Premium Efficient Close-coupled Pump TEFC Enclosure JM Frame	91
Premium Efficient Close-coupled Pump TEFC Enclosure JP Frame	92
VHS-V1 Series Cast Iron/Plate Steel	93-94
VHS-V2 Series Cast Iron/Plate Steel	95-96
Oil Well Pump TEFC Rigid Base	97
Oil Well Pump ODP Rigid Base	98
Rotary Phase Convertor Motor TEFC	99

Section 12: Reference Materials	101-104
--	----------------

Section 13: Policies	105-108
-----------------------------	----------------



Responsive
Service &
Technical
Support



Quality
Products
Competitive
Pricing



In Stock
Availability
Warehouses
Nationwide



Fast Shipping
Same-Day
Available

Fractional HP Motors from WorldWide Electric



*NATE Series Only



General Purpose Fractional Motors

Totally Enclosed Fan Cooled (TEFC) with IP43 protection and rigid base, C-Face with removable base (CB), or C-Face round body (CRD) options.

TEFC Single-phase

- 1/3 - 2 hp
- 1800 and 3600 rpm
- 115/230 Volt, 60 Hz
- 1.5 to 2 hp Capacitor Start/Run
- IP43 protection

TEFC Three-phase

- 1/3 - 3 hp
- 1800 and 3600 rpm
- 115/230 Volt, 60 Hz
- 1 to 3 hp Premium Efficient*
- IP43 protection



*NATJE, OJ & ODPJ Series Only



Jet Pump Motors

Our Electric Jet Pump motors feature a high-torque and durable design to effectively power industrial, commercial, and residential pumping solutions such as water wells, and more.

TEFC Single-phase

- 1/3 - 2 hp | 3600 rpm
- 115/230 Volt, 60 Hz
- IP43 protection

ODP Single-phase

- 1/3 - 3 hp | 3600 rpm
- Premium Efficient
- 115/230 Volt, 60 Hz
- IP23 protection

TEFC Three-phase

- 1/3 - 3 hp | 3600 rpm
- 1 - 3 hp Premium Efficient
- 230/460 Volt, 60 Hz
- IP43 protection

ODP Three-phase

- 1/3 - 5 hp | 3600 rpm
- Premium Efficient
- 230/460 Volt, 60 Hz
- IP23 protection

DC Motors

Permanent Magnet DC (PMDC) motors are ideal for applications that require simple variable speed control and high starting torque.

- 90, 180, 12, and 24 Volt
- TENV | 1/4 - 1/2 hp | 1800 rpm
- TEFC | 3/4 - 2 hp | 1800 rpm
- C-Face with removable base
- 20:1 Speed range at constant torque
- IP54 protection



Stearns Double C-Face Coupler Breaks

Designed for standard NEMA C-Frame: 56C motor and quill input C-Flanges motors - eliminate the need for specially designed brake motors for many applications.

- Torque lb-ft: 1.5, 3, 6, 10
- IP54 protection
- Manual release knob
- AC operated coil Voltage
 - : 115/230, 60 Hz
 - : 230/460, 60 Hz
- Self-adjusting with Solenoid actuated brake (SAB)



TEFC Enclosure | C-Face with Removable Base
Single-Phase | 115/230 Volt

Product Specifications

- 1/3 - 2 HP
- 3600 and 1800 RPM
- 115/230 Volt
- Totally Enclosed Fan Cooled (TEFC) Enclosure
- IP43 Protection
- 1.15 SF
- Class F Insulation
- C-Face with Removable Base
- Capacitor Start / Induction Run (1/3 - 1 HP)
- Capacitor Start / Capacitor Run (1.5 - 2 HP) or Reduced Amperage and High Torque
- Vacuum Pressure Impregnation (VPI) System
- Anti-Rust Film Applied to Rotor
- Improved Shaft Seal on Drive-End Protects Drive-End Bearing from Moisture and Contaminants



56C Frame motors can use Stearns Coupler Brakes - page 12



HP	RPM	Voltage	Frame	Model Number	List Price	FL Amps (A)	FL Eff. (%)	Approx. Wt. (lbs.)	Notes
C-Face - Removable Base									
1/3	3600	115/230	56C	NT13-36-56CB	\$363.18	2.7	59.5	21	
	1800	115/230	56C	NT13-18-56CB	\$373.21	2.6	63.0	22	
1/2	3600	115/230	56C	NT12-36-56CB	\$383.34	3.3	63.0	23	
	1800	115/230	56C	NT12-18-56CB	\$393.21	3.6	64.5	25	
3/4	3600	115/230	56C	NT34-36-56CB	\$394.15	4.6	66.5	27	
	1800	115/230	56C	NT34-18-56CB	\$427.98	5.0	67.0	29	
1	3600	115/230	56C	NT1-36-56CB	\$431.24	5.8	69.5	30	
	1800	115/230	56C	NT1-18-56CB	\$477.50	6.5	70.0	36	
1.5	3600	115/230	56C	NT1.5-36-56CB	\$539.07	6.5	77.0	31	
	1800	115/230	56C	NT1.5-18-56CB	\$603.03	7.3	77.0	37	
2	3600	115/230	56C	NT2-36-56CB	\$594.18	8.5	79.5	37	
	1800	115/230	56C	NT2-18-56CB	\$733.70	9.8	79.0	44	

1

Fractional HP

TEFC Enclosure | Rigid Base, C-Face, and C-Face Round Body
Three-Phase | 230/460 Volt

Product Specifications

- Rigid Base: 1/2 - 2 HP; 1800 RPM
- C-Face: 1/3 - 3 HP; 3600 and 1800 RPM
- 230/460 Volt
- Totally Enclosed Fan Cooled (TEFC) Enclosure
- IP43 Protection
- 1.15 SF
- Class F Insulation
- Premium Efficiency (1-3 HP NATE Series)
- Vacuum Pressure Impregnation (VPI) System
- Anti-Rust Film Applied to Rotor
- Improved Shaft Seal on Drive-End Protects Drive-End Bearing from Moisture and Contaminants
- Suitable for 50 Hz at 1.0 SF (Derate in HP)



NEMA Premium

56C Frame motors can use Stearns Coupler Brakes - page 12



HP	RPM	Voltage	Frame	Model Number	List Price	FL Amps (A)	FL Eff. (%)	Approx. Wt. (lbs.)	Notes
Rigid Base									
1/2	1800	230/460	56	NAT12-18-56	\$352.01	0.95	70.0	19	
3/4	1800	230/460	56	NAT34-18-56	\$376.65	1.3	73.0	22	
1	1800	230/460	56	NATE1-18-56	\$466.58	1.61	85.5	35	P
1.5	1800	230/460	56	NATE1.5-18-56	\$550.87	2.26	86.5	43	P
2	1800	230/460	56	NATE2-18-56	\$656.41	2.96	86.5	49	P

C-Face - Removable Base									
1/3	3600	230/460	56C	NAT13-36-56CB	\$312.75	0.65	60.0	18	
	1800	230/460	56C	NAT13-18-56CB	\$340.49	0.72	67.0	18	
1/2	3600	230/460	56C	NAT12-36-56CB	\$326.43	0.85	67.5	19	
	1800	230/460	56C	NAT12-18-56CB	\$361.60	0.95	70.0	19	
3/4	3600	230/460	56C	NAT34-36-56CB	\$339.99	1.2	71.5	21	
	1800	230/460	56C	NAT34-18-56CB	\$392.10	1.3	73.0	22	
1	3600	230/460	56C	NATE1-36-56CB	\$475.04	1.5	77.0	23	P
	1800	230/460	56C	NATE1-18-56CB	\$514.70	1.61	85.5	35	P
1.5	3600	230/460	56C	NATE1.5-36-56CB	\$537.90	1.98	84.0	31	P
	1800	230/460	56C	NATE1.5-18-56CB	\$652.37	2.26	86.5	43	P
2	3600	230/460	56C	NATE2-36-56CB	\$594.46	2.61	85.5	34	P
	1800	230/460	56C	NATE2-18-56CB	\$727.14	2.96	86.5	59	P
3	3600	230/460	56C	NATE3-36-56CB	\$687.65	3.69	86.5	52	P

C-Face - Round Body (Footless)									
1/3	1800	230/460	56C	NAT13-18-56CRD	\$340.49	0.72	67.0	18	
1/2	1800	230/460	56C	NAT12-18-56CRD	\$361.60	0.95	70.0	19	
3/4	1800	230/460	56C	NAT34-18-56CRD	\$392.10	1.3	73.0	22	
1	3600	230/460	56C	NATE1-36-56CRD	\$475.04	1.5	77.0	23	P
	1800	230/460	56C	NATE1-18-56CRD	\$514.70	1.61	85.5	35	P
1.5	3600	230/460	56C	NATE1.5-36-56CRD	\$537.90	1.98	84.0	31	P
	1800	230/460	56C	NATE1.5-18-56CRD	\$652.37	2.26	86.5	43	P
2	3600	230/460	56C	NATE2-36-56CRD	\$594.46	2.61	85.5	34	P
	1800	230/460	56C	NATE2-18-56CRD	\$727.14	2.96	86.5	59	P
3	3600	230/460	56C	NATE3-36-56CRD	\$687.65	3.69	86.5	52	P

Notes
Given weights and dimensions are approximate
P: NATE models are premium efficiency

TEFC Enclosure | C-Face with Removable Base
Single-Phase | 115/230 Volt

Product Specifications

- 1/3 - 2 HP
- 3600 RPM
- 115/230 Volt
- Totally Enclosed Fan Cooled (TEFC) Enclosure
- IP43 Protection
- 1.15 SF
- Class F Insulation
- C-Face with Removable Base
- 56j - Threaded Shaft
- 56C - Keyed Shaft
- Vacuum Pressure Impregnation (VPI) System
- Anti-Rust Film Applied to Rotor
- Improved Shaft Seal on Drive-End Protects Drive-End Bearing from Moisture and Contaminants
- Capacitor Start / Induction Run (1/3 - 1 HP)
- Capacitor Start / Capacitor Run (1.5 - 2 HP) for Reduced Amperage and High Torque
- Automatic Thermal Overload



1

Fractional HP

HP	RPM	Voltage	Frame	Model Number	List Price	FL Amps (A)	FL Eff. (%)	Approx. Wt. (lbs.)	Notes
C-Face Removable Base									
1/3	3600	115/230	56C	NTJ13-36-56CB	\$346.89	2.5	58.0	20	
	3600	115/230	56j	NTJ13-36-56JB	\$355.13	2.5	58.0	20	
1/2	3600	115/230	56C	NTJ12-36-56CB	\$361.99	3.3	61.0	21	
	3600	115/230	56j	NTJ12-36-56JB	\$370.17	3.3	61.0	21	
3/4	3600	115/230	56C	NTJ34-36-56CB	\$393.02	4.5	64.0	26	
	3600	115/230	56j	NTJ34-36-56JB	\$401.13	4.5	64.0	26	
1	3600	115/230	56C	NTJ1-36-56CB	\$416.44	5.7	69.0	29	
	3600	115/230	56j	NTJ1-36-56JB	\$424.64	5.7	69.0	29	
1.5	3600	115/230	56C	NTJ1.5-36-56CB	\$503.90	6.5	72.0	31	
	3600	115/230	56j	NTJ1.5-36-56JB	\$512.02	6.5	72.0	31	
2	3600	115/230	56C	NTJ2-36-56CB	\$546.23	8.6	75.0	37	
	3600	115/230	56j	NTJ2-36-56JB	\$554.37	8.6	75.0	37	

TEFC Enclosure | C-Face with Removable Base Three-Phase | 230/460 Volt

Product Specifications

- 1/3 - 3 HP
- 3600 RPM
- Premium Efficiency
- Suitable for 50 Hz at 1.0 SF (Derate in HP)
- Totally Enclosed Fan Cooled (TEFC) Enclosure
- IP43 Protection
- 1.15 SF
- Class F Insulation
- C-Face with Removable Base
- 56j - Threaded Shaft
- 56C - Keyed Shaft
- Vacuum Pressure Impregnation (VPI) System
- Anti-Rust Film Applied to Rotor
- Improved Shaft Seal on Drive-End Protects Drive-End Bearing from Moisture and Contaminants



HP	RPM	Voltage	Frame	Model Number	List Price	FL Amps (A)	FL Eff. (%)	Approx. Wt. (lbs.)	Notes
C-Face Removable Base									
1/3	3600	230/460	56C	NATJ13-36-56CB	\$307.60	0.65	57.0	18	
	3600	230/460	56J	NATJ13-36-56JB	\$316.71	0.65	57.0	18	
1/2	3600	230/460	56C	NATJ12-36-56CB	\$317.99	0.85	62.0	19	
	3600	230/460	56J	NATJ12-36-56JB	\$327.01	0.85	62.0	19	
3/4	3600	230/460	56C	NATJ34-36-56CB	\$349.15	1.2	67.0	22	
	3600	230/460	56J	NATJ34-36-56JB	\$358.17	1.2	67.0	22	
1	3600	230/460	56C	NATJE1-36-56CB	\$380.01	1.5	77.0	23	P
	3600	230/460	56J	NATJE1-36-56JB	\$389.04	1.5	77.0	23	P
1.5	3600	230/460	56C	NATJE1.5-36-56CB	\$482.08	1.98	84.0	31	P
	3600	230/460	56J	NATJE1.5-36-56JB	\$491.17	1.98	84.0	31	P
2	3600	230/460	56C	NATJE2-36-56CB	\$505.02	2.61	85.5	34	P
	3600	230/460	56J	NATJE2-36-56JB	\$514.03	2.61	85.5	34	P
3	3600	230/460	56J	NATJE3-36-56JB	\$655.29	3.69	86.5	39	P

Notes

Given weights and dimensions are approximate
P: NATJE models are premium efficiency

Notes

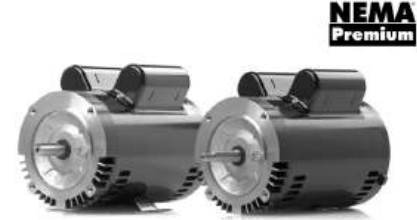
P NATJE models are premium efficiency

ODP Enclosure | C-Face with Removable Base and Round Body

Single-Phase | 115/230 Volt

Product Specifications

- 1/3 - 3 HP
- 115/230 Volt, Usable at 208 Volt
- 3600 RPM
- Open Drip Proof (ODP) Enclosure
- IP23 Protection
- Class F Insulation
- C-Face with Removable Base (CB / JB) and
- C-Face Round Body Footless (CRD / JRD)
- 56J - Threaded Shaft, ODE Shaft Supplied with Slot for Impeller Installation
- 56C - Keyed Shaft
- 304 Stainless Steel Shaft End
- Vacuum Pressure Impregnation (VPI) System
- Anti-Rust Film Applied to Rotor
- Drive-End Shaft Slinger
- Double Shielded Ball Bearings
- Capacitor Start / Capacitor Run
- Automatic Thermal Overload Protection
- Terminal Board with Spade Connectors
- Premium Efficiency per Small Motor Rule



1

Fractional HP

HP	RPM	Voltage	Frame	Model Number	List Price	FL Amps (A)	FL Eff. (%)	Approx. Wt. (lbs.)	Service Factor
C-Face Removable Base									
1/3	3600	115/230	56J	OJ13-36-56JB	\$404.64	1.6	70.5	23.8	1.75
	3600	115/230	56C	OJ13-36-56CB	\$404.64	1.584	70.5	23.8	1.75
1/2	3600	115/230	56J	OJ12-36-56JB	\$434.59	2.4	72.4	25	1.6
	3600	115/230	56C	OJ12-36-56CB	\$434.59	2.4	72.4	25	1.6
3/4	3600	115/230	56J	OJ34-36-56JB	\$456.66	3.2	76.2	26.6	1.5
	3600	115/230	56C	OJ34-36-56CB	\$456.66	3.2	76.2	26.6	1.5
1	3600	115/230	56J	OJ1-36-56JB	\$494.06	4.1	80.4	30.2	1.4
	3600	115/230	56C	OJ1-36-56CB	\$494.06	4.1	80.4	30.2	1.4
1.5	3600	115/230	56J	OJ1.5-36-56JB	\$554.51	6.7	81.5	33.1	1.3
	3600	115/230	56C	OJ1.5-36-56CB	\$554.51	6.7	81.5	33.1	1.3
2	3600	115/230	56J	OJ2-36-56JB	\$607.07	8.1	82.9	37.8	1.2
	3600	115/230	56C	OJ2-36-56CB	\$607.07	8.1	82.9	37.8	1.2
3	3600	115/230	56J	OJ3-36-56JB	\$708.48	11.4	84.1	46.8	1.15
	3600	115/230	56C	OJ3-36-56CB	\$708.48	11.4	84.1	46.8	1.15

C-Face - Round Body (Footless)									
1/3	3600	115/230	56J	OJ13-36-56JRD	\$385.37	1.6	70.5	21.6	1.75
	3600	115/230	56C	OJ13-36-56CRD	\$385.37	1.6	70.5	21.6	1.75
1/2	3600	115/230	56J	OJ12-36-56JRD	\$413.89	2.4	72.4	22.8	1.6
	3600	115/230	56C	OJ12-36-56CRD	\$413.89	2.4	72.4	22.8	1.6
3/4	3600	115/230	56J	OJ34-36-56JRD	\$434.92	3.2	76.2	24.4	1.5
	3600	115/230	56C	OJ34-36-56CRD	\$434.92	3.2	76.2	24.4	1.5
1	3600	115/230	56J	OJ1-36-56JRD	\$470.51	4.1	80.4	28	1.4
	3600	115/230	56C	OJ1-36-56CRD	\$470.51	4.1	80.4	28	1.4
1.5	3600	115/230	56J	OJ1.5-36-56JRD	\$528.11	6.7	81.5	30.9	1.3
	3600	115/230	56C	OJ1.5-36-56CRD	\$528.11	6.7	81.5	30.9	1.3
2	3600	115/230	56J	OJ2-36-56JRD	\$578.16	8.1	82.9	35.6	1.2
	3600	115/230	56C	OJ2-36-56CRD	\$578.16	8.1	82.9	35.6	1.2
3	3600	115/230	56J	OJ3-36-56JRD	\$674.80	11.4	84.1	44.6	1.15
	3600	115/230	56C	OJ3-36-56CRD	\$674.80	11.4	84.1	44.6	1.15

ODP Enclosure | C-Face with Removable Base and Round Body

Three-Phase | 230/460 Volt

Product Specifications

- 1/3 - 5 HP
- 230/460 Volt, Usable at 208 Volt (Preconfigured for 460 Volt from Factory) 3600 RPM
- Open Drip Proof (ODP) Enclosure
- IP23 Protection
- Class F Insulation
- C-Face with Removable Base (CB / JB) and
- C-Face Round Body Footless (CRD / JRD)
- 56j - Threaded Shaft, ODE Shaft Supplied with Slot for Impeller Installation
- 56C - Keyed Shaft
- 304 Stainless Steel Shaft End
- Vacuum Pressure Impregnation (VPI) System
- Anti-Rust Film Applied to Rotor
- Drive-End Shaft Slinger
- Double Shielded Ball Bearings
- Stud Terminals for Use with Ring or Fork Terminals
- Supplied with Terminal Plug in Terminal Box for Switching from 230 to 460 Volt and Vice-Versa
- Premium Efficiency per Small Motor Rule



1
Fractional HP

HP	RPM	Voltage	Frame	Model Number	List Price	FL Amps (A)	FL Eff. (%)	Approx. Wt. (lbs.)	Service Factor
C-Face Removable Base									
1/3	3600	230/460	56j	ODPJ13-36-56JB	\$396.65	0.6	69.5	20.5	1.75
	3600	230/460	56C	ODPJ13-36-56CB	\$396.65	0.6	69.5	20.5	1.75
1/2	3600	230/460	56j	ODPJ12-36-56JB	\$438.92	0.9	73.4	21.6	1.6
	3600	230/460	56C	ODPJ12-36-56CB	\$438.92	0.9	73.4	21.6	1.6
3/4	3600	230/460	56j	ODPJ34-36-56JB	\$479.87	1.0	76.8	23.6	1.5
	3600	230/460	56C	ODPJ34-36-56CB	\$479.87	1.0	76.8	23.6	1.5
1	3600	230/460	56j	ODPJ1-36-56JB	\$505.66	1.4	77.0	27.5	1.4
	3600	230/460	56C	ODPJ1-36-56CB	\$505.66	1.4	77.0	27.5	1.4
1.5	3600	230/460	56j	ODPJ1.5-36-56JB	\$582.32	2.0	84.0	30.5	1.3
	3600	230/460	56C	ODPJ1.5-36-56CB	\$582.32	2.0	84.0	30.5	1.3
2	3600	230/460	56j	ODPJ2-36-56JB	\$607.29	2.5	85.5	34.2	1.2
	3600	230/460	56C	ODPJ2-36-56CB	\$607.29	2.5	85.5	34.2	1.2
3	3600	230/460	56j	ODPJ3-36-56JB	\$679.51	3.7	85.5	40.1	1.15
	3600	230/460	56C	ODPJ3-36-56CB	\$679.51	3.7	85.5	40.1	1.15
5	3600	230/460	56j	ODPJ5-36-56JB	\$784.48	5.8	86.5	51.7	1.15
	3600	230/460	56C	ODPJ5-36-56CB	\$784.48	5.8	86.5	51.7	1.15

C-Face Round Body (Footless)									
HP	RPM	Voltage	Frame	Model Number	List Price	FL Amps (A)	FL Eff. (%)	Approx. Wt. (lbs.)	Service Factor
1/3	3600	230/460	56j	ODPJ13-36-56JRD	\$377.81	0.6	69.5	18.3	1.75
	3600	230/460	56C	ODPJ13-36-56CRD	\$377.81	0.6	69.5	18.3	1.75
1/2	3600	230/460	56j	ODPJ12-36-56JRD	\$418.00	0.9	73.4	19.4	1.6
	3600	230/460	56C	ODPJ12-36-56CRD	\$418.00	0.9	73.4	19.4	1.6
3/4	3600	230/460	56j	ODPJ34-36-56JRD	\$456.99	1.0	76.8	21.4	1.5
	3600	230/460	56C	ODPJ34-36-56CRD	\$456.99	1.0	76.8	21.4	1.5
1	3600	230/460	56j	ODPJ1-36-56JRD	\$510.48	1.4	77.0	25.3	1.4
	3600	230/460	56C	ODPJ1-36-56CRD	\$510.48	1.4	77.0	25.3	1.4
1.5	3600	230/460	56j	ODPJ1.5-36-56JRD	\$554.56	2.0	84.0	28.3	1.3
	3600	230/460	56C	ODPJ1.5-36-56CRD	\$554.56	2.0	84.0	28.3	1.3
2	3600	230/460	56j	ODPJ2-36-56JRD	\$578.38	2.5	85.5	32	1.2
	3600	230/460	56C	ODPJ2-36-56CRD	\$578.38	2.5	85.5	32	1.2
3	3600	230/460	56j	ODPJ3-36-56JRD	\$647.15	3.7	85.5	37.9	1.15
	3600	230/460	56C	ODPJ3-36-56CRD	\$647.15	3.7	85.5	37.9	1.15
5	3600	230/460	56j	ODPJ5-36-56JRD	\$747.08	5.8	86.5	49.5	1.15
	3600	230/460	56C	ODPJ5-36-56CRD	\$747.08	5.8	86.5	49.5	1.15

TENV & TEFC | C-Face with Removable Base 90, 180, 12 and 24 Volt

Product Specifications

- 1/4 - 2 HP
- 1800 RPM
- 90, 180, 12 and 24 Volt
- Totally Enclosed Non-Ventilated (TENV) Enclosure (1/4 - 1/2 HP)
- Totally Enclosed Fan Cooled (TEFC) Enclosure (3/4 - 2 HP)
- IP54 Protection
- 1.0 SF
- Class F Insulation
- C-Face with Removable Base
- 20:1 Speed Range at Constant Torque
- High Starting Torque
- 12 Volt and 24 Volt Models Used in Applications Where Low Voltage DC Power is Supplied by Batteries or Generators



56C Frame motors can use Stearns Coupler Brakes - page 12



HP	RPM	Voltage	Frame	Model Number	List Price	FL Amps (A)	FL Eff. (%)	Approx. Wt. (lbs.)	Notes
90 Volt and 180 Volt									
1/4	1800	90	56C	WPMDC14-18-90V-56CB	\$393.20	2.9	80.0	17	X
1/3	1800	90	56C	WPMDC13-18-90V-56CB	\$420.33	3.5	82.0	19	X
	1800	180	56C	WPMDC13-18-180V-56CB	\$415.81	1.8	82.0	19	X
1/2	1800	90	56C	WPMDC12-18-90V-56CB	\$537.83	5.2	82.0	22	X
	1800	180	56C	WPMDC12-18-180V-56CB	\$533.38	2.6	82.0	22	X
3/4	1800	90	56C	WPMDC34-18-90V-56CB	\$611.10	7.8	82.0	28	X
	1800	180	56C	WPMDC34-18-180V-56CB	\$605.64	3.9	82.0	28	X
1	1800	90	56C	WPMDC1-18-90V-56CB	\$683.37	10.4	82.0	32	X
	1800	180	56C	WPMDC1-18-180V-56CB	\$678.00	5.2	82.0	32	X
1.5	1800	90	56C	WPMDC1.5-18-90V-56CB	\$738.45	15.4	83.0	38	X
	1800	180	56C	WPMDC1.5-18-180V-56CB	\$732.14	7.7	83.0	38	X
	1800	180	145TC	WPMDC1.5-18-180V-145TCB	\$1,095.55	7.7	80.0	47	X
2	1800	180	56C	WPMDC2-18-180V-56CB	\$1,171.45	9.8	85.0	65	X
	1800	180	145TC	WPMDC2-18-180V-145TCB	\$1,534.87	9.8	80.0	65	X

12 Volt and 24 Volt									
1/3	1800	12	56C	WPMDC13-18-12V-56CB	\$501.72	26.4	78.0	19	
	1800	24	56C	WPMDC13-18-24V-56CB	\$497.22	13.2	78.0	19	
1/2	1800	12	56C	WPMDC12-18-12V-56CB	\$592.13	40.0	78.0	22	
	1800	24	56C	WPMDC12-18-24V-56CB	\$588.46	20.0	78.0	22	
3/4	1800	12	56C	WPMDC34-18-12V-56CB	\$670.71	61.2	75.0	28	
	1800	24	56C	WPMDC34-18-24V-56CB	\$667.04	30.6	75.0	28	
1	3600	12	56C	WPMDC1-36-12V-56CB	\$740.31	82.2	75.0	26	
	1800	12	56C	WPMDC1-18-12V-56CB	\$746.64	82.2	75.0	33	
	1800	24	56C	WPMDC1-18-24V-56CB	\$742.98	41.1	75.0	33	
1.5	1800	24	56C	WPMDC1.5-18-24V-56CB	\$824.39	62.5	76.0	39	

Notes
Given weights and dimensions are approximate
X: Extra set of brushes and brush springs included

Variable Speed DC Controls

Product Specifications

- Dual Voltage - 120/240 VAC, 50/60 Hz
- Adjustable Horsepower Settings
- Barrier Terminal Strip
- Packaged Bridge Supply (Fullwave)
- 1% Speed Regulation with Armature Voltage Feedback; ± 1/2% with Tach Feedback
- Adjustable Minimum Speed (0-30% of max.)
- Adjustable Maximum Speed (66-110% of base)
- Adjustable IR Compensation
- Adjustable Linear Acceleration (0.5-8 sec.)
- Adjustable Current Limit to 15 Amps
- Line Voltage Compensation
- 5K Ohm Speed Potentiometer with Leads, Knob and Dial Included
- Power On / Off Switch
- 50:1 Speed Range
- Overload Capacity: 150% for One Minute
- Transient Voltage Protection
- Voltage Following Mode or DC Tachometer Follower by Supplying Underground Analog Input Signal (0-12 VDC)
- DC Tachometer Feedback (6 V at Base Speed)
- Inhibit Circuit - Permits Start and Stop Without Breaking AC Lines
- Remote Start/Stop via Pot Circuit or Inhibit Circuit
- Shunt Field Supply Provided (1 Amp Max.;
- 100 V for 120 VAC; 200 V for 240 VAC Input)
- AC Line Fuse
- Rated NEMA 4/12 with Threaded Conduit Holes



1
Fractional HP

Single-Phase Input	Output	HP Range	Model Number	List Price
Non-Reversing (ON / OFF)				
120 VAC	0-90 VDC	1/8 - 1.0	WDCCONT	\$585.29
240 VAC	0-180 VDC	1/4 - 2.0	WDCCONT	\$585.29

Reversing (FORWARD / OFF / REVERSE)				
120 VAC	0-90 VDC	1/8 - 1.0	WDCCONTREV	\$888.44
240 VAC	0-180 VDC	1/4 - 2.0	WDCCONTREV	\$888.44

Stearns Double C-Face Coupler Brakes

For Drive End Motor

Product Specifications

- NEMA C-Frame: 56C
- Torque lb-ft : 1.5, 3, 6, 10
- IP54 Protection
- Coil Voltage: 115/230 (VAC 60Hz), 230/460 (VAC 60Hz)
- Manual Release Knob
- CSA Certified File LR6254
- RoHS3 Compliant
- Self-Adjusting
- AC Operated Coil
- Solenoid Actuated Brake (SAB)
- Designed for industrial applications that fit between a standard C-Face motor and quill input C-Flange



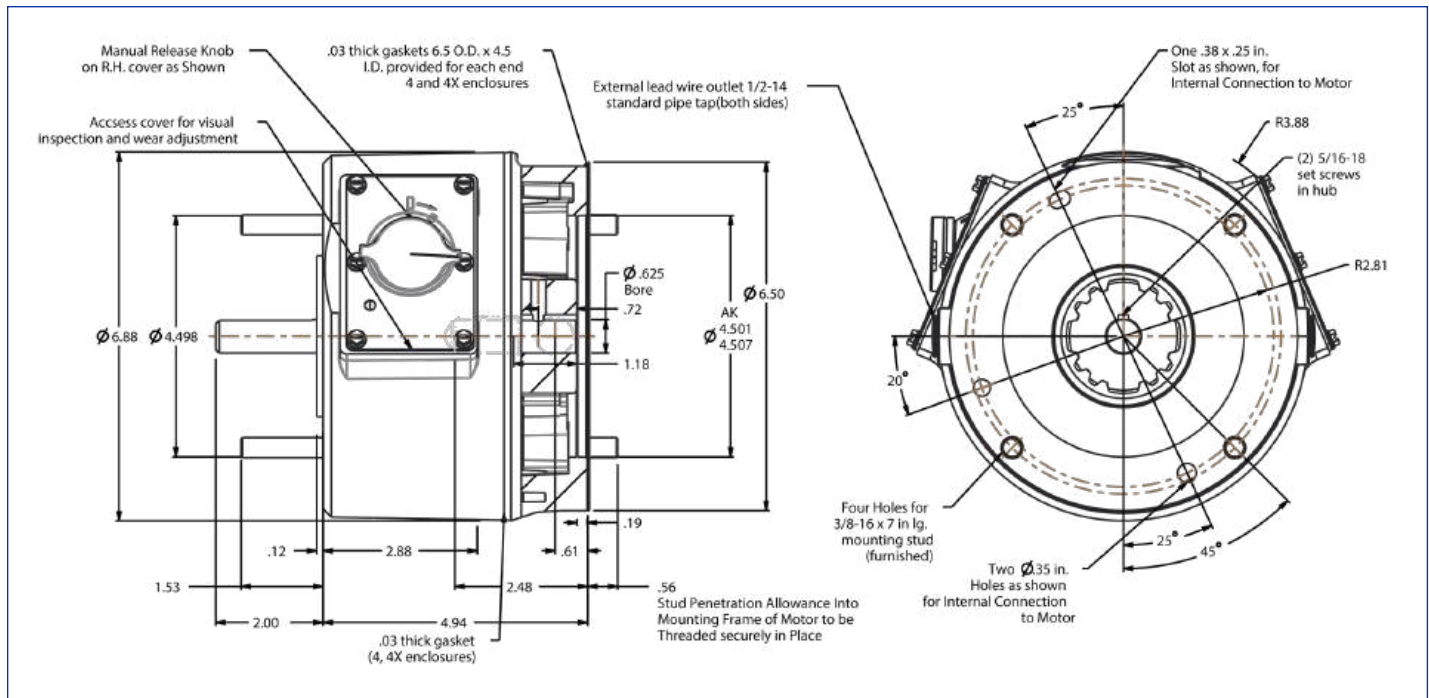
Suitable for Use with our Full-Line of Fractional HP Motors

- General Purpose Motors: Page 2-3
- Permanent Magnet DC Motors: Page 10
- Fractional Farm Duty Motors: Page 12

Single-Phase Input	Brand	Description	Voltage	List Price
230/460 Volt				
S-105670205 QF	Stearns	1.5 lb-ft, 56C, IP54	230/460	\$1,313.66
S-105671205 QF	Stearns	3 lb-ft, 56C, IP54	230/460	\$1,239.33
S-105672205 QF	Stearns	6 lb-ft, 56C, IP54	230/460	\$1,365.69
S-105673205 QF	Stearns	10 lb-ft, 56C, IP54	230/460	\$1,555.20

115/230 Volt				
S-105670205 PF	Stearns	1.5 lb-ft, 56C, IP54	115/230	\$1,200.34
S-105671205 PF	Stearns	3 lb-ft, 56C, IP54	115/230	\$1,239.33
S-105672205 PF	Stearns	6 lb-ft, 56C, IP54	115/230	\$1,352.69
S-105673205 PF	Stearns	10 lb-ft, 56C, IP54	115/230	\$1,570.08

Dimensions



1

Fractional HP

Wash-down Duty, Stainless Steel Motors from WorldWide Electric

Our Fractional and Premium Efficient TEFC and TENV Stainless Steel motors offer complete protection from water, dust, and oil. They are ideal for conveyors, pumps, and material handling applications in the food and beverage, pharmaceutical, and poultry industries.



Premium Efficient Stainless Steel Motors

Three-phase, premium efficient, **IP69K** rated, BISSC/BEAG certified motors offer protection against close-range, high-pressure, high-temperature spray downs

- TEFC: 1/3 - 20 hp | 3600 and 1800 rpm
- TEFC: 1/2 - 5 hp | 1200 rpm
- TENV: 1/3 - 3 hp | 3600 and 1800 rpm
- 230/460 Volts, 60 Hz
- 190/380 Volts, 50 Hz, with 1.15 SF (Derate in hp)
- C-Face with feet and round body (footless)
- NEMA Design B
- Oil seal on DE and ODE
- Welded junction box with epoxy potted leads
- C-Face with feet (welded on) or round body (footless)
- Premium efficient models offer a three-year warranty



JM-Series

Three-phase, close-coupled pump motors suitable for installations utilizing a mechanical seal.

- TEFC, C-Face with feet only
- 1 - 20 hp at 3600 and 1800 rpm



Fractional Stainless Steel Motors

Three-phase motors offer **IP56** water-tight protection for wash-down applications.

- TEFC or TENV
- 1/2 - 3/4 hp, 1 - 2 hp Premium Efficient
- 1800 and 3600 rpm
- 56C Frame size, double lip seals with an additional shaft slinger on the drive-end
- C-Face with feet and round body (footless)

Premium Efficient | TEFC Enclosure | C-Face with Feet | IP69K Three-Phase | 230/460 Volt

Product Specifications

- 1/3-20 HP, 3600 and 1800 RPM
- 1/2-5 HP, 1200 RPM
- 230/460 Volt, 60 Hz
- Totally Enclosed Fan Cooled (TEFC) Enclosure
- C-Face with Feet
- Round Welded Junction Box with Epoxy Potted Leads
- 304 Stainless Steel Frame, End Bracket, Junction Box (F1), and Hardware
- Stainless Steel Shaft and Key
- IP69K Protection
- BEAG Certified - Formerly BISSC
- Class F Insulation with Class B Temperature Rise
- NEMA Premium Efficiency
- NEMA Design B
- Continuous Duty
- 1.15 SF
- Suitable for 50 Hz , 190/380V, 1.15 SF (Derate in HP)
- Lip Seal on DE and ODE
- Double Sealed Bearings
- Inverter Duty – 10:1 Constant Torque (CT) / 20:1 Variable Torque (VT)
- Factory Certified Class 1 Division 2 Groups A, B, C, D – Temperature Code T2B
- Ambient -20°C to +40°C, Altitude up to 3300 Feet Above Sea Level (FASL)
- Bi-directional Rotation



2 Wash-Down Duty

HP	RPM	Voltage	Frame	Model Number	List Price	FL Amps (A)	FL Eff. (%)	Approx. Wt. (lbs.)
C-Face with Feet								
1/3	3600	230/460	56C	SSPE13-36-56C	\$865.43	0.55	72.0	26
	1800	230/460	56C	SSPE13-18-56C	\$898.37	0.6	74.0	28
1/2	3600	230/460	56C	SSPE12-36-56C	\$893.80	0.75	74.0	29
	1800	230/460	56C	SSPE12-18-56C	\$918.23	0.8	78.5	30
	1200	230/460	56C	SSPE12-12-56C	\$1,046.62	0.9	75.5	30
3/4	3600	230/460	56C	SSPE34-36-56C	\$1,028.60	1.1	77.0	33
	1800	230/460	56C	SSPE34-18-56C	\$993.12	1.2	81.5	33
	1200	230/460	56C	SSPE34-12-56C	\$1,133.82	1.85	81.5	35
	1200	230/460	143TC	SSPE34-12-143TC	\$1,191.75	1.85	81.5	35
	3600	230/460	56C	SSPE1-36-56C	\$1,135.00	1.4	77.0	35
1	3600	230/460	143TC	SSPE1-36-143TC	\$1,183.55	1.4	80.0	39
	1800	230/460	56C	SSPE1-18-56C	\$1,135.00	1.45	85.5	36
	1800	230/460	143TC	SSPE1-18-143TC	\$1,170.46	1.45	85.5	36
	1200	230/460	145TC	SSPE1-12-145TC	\$1,342.61	2.0	82.5	42
	3600	230/460	56C	SSPE1.5-36-56C	\$1,241.39	2.0	84.0	39
1.5	3600	230/460	143TC	SSPE1.5-36-143TC	\$1,276.87	2.0	84.0	39
	1800	230/460	56C	SSPE1.5-18-56C	\$1,276.87	2.0	86.5	42
	1800	230/460	145TC	SSPE1.5-18-145TC	\$1,312.33	2.0	86.5	42
	1200	230/460	182TC	SSPE1.5-12-182TC	\$2,279.87	2.45	87.5	82
2	3600	230/460	56C	SSPE2-36-56C	\$1,347.80	2.4	85.5	46
	3600	230/460	145TC	SSPE2-36-145TC	\$1,390.37	2.4	85.5	46
	1800	230/460	56C	SSPE2-18-56C	\$1,383.28	3.0	86.5	51
	1800	230/460	145TC	SSPE2-18-145TC	\$1,418.74	3.0	86.5	51
	1200	230/460	184TC	SSPE2-12-184TC	\$2,483.83	3.05	88.5	98
3	3600	230/460	145TC	SSPE3-36-145TC	\$2,283.23	3.6	86.5	60
	3600	230/460	182TC	SSPE3-36-182TC	\$2,763.00	4.05	86.5	81
	1800	230/460	145TC	SSPE3-18-145TC	\$2,543.51	4.1	89.5	65
	1800	230/460	182TC	SSPE3-18-182TC	\$2,796.70	4.0	89.5	81
	1200	230/460	213TC	SSPE3-12-213TC	\$3,887.27	4.6	89.5	170
5	3600	230/460	184TC	SSPE5-36-184TC	\$3,032.57	6.1	88.5	95
	1800	230/460	184TC	SSPE5-18-184TC	\$3,133.65	6.25	89.5	100
	1200	230/460	215TC	SSPE5-12-215TC	\$4,574.24	7.0	89.5	200
7.5	3600	230/460	213TC	SSPE7.5-36-213TC	\$4,582.55	9.5	89.5	155
	1800	230/460	213TC	SSPE7.5-18-213TC	\$4,447.76	9.3	91.7	180
10	3600	230/460	215TC	SSPE10-36-215TC	\$4,852.09	12.2	90.2	170
	1800	230/460	215TC	SSPE10-18-215TC	\$4,852.09	12.2	91.7	210
15	3600	230/460	254TC	SSPE15-36-254TC	\$10,553.58	18.5	91.0	363
	1800	230/460	254TC	SSPE15-18-254TC	\$10,553.58	18.5	92.4	370
20	3600	230/460	256TC	SSPE20-36-256TC	\$11,513.02	23.0	91.0	422
	1800	230/460	256TC	SSPE20-18-256TC	\$11,491.83	24.5	93.0	436

Premium Efficient | TEFC Enclosure | C-Face Round Body | IP69K Three-Phase | 230/460 Volt

Product Specifications

- 1/3-20 HP, 3600 and 1800 RPM
- 1/2-5 HP, 1200 RPM
- 230/460 Volt, 60 Hz
- Totally Enclosed Fan Cooled (TEFC) Enclosure
- C-Face Round Body
- Round Welded Junction Box with Epoxy Potted Leads
- 304 Stainless Steel Frame, End Bracket, Junction Box (F1), and Hardware
- Stainless Steel Shaft and Key
- IP69K Protection
- BEAG Certified - Formerly BISSC
- Class F Insulation with Class B Temperature Rise
- NEMA Premium Efficiency
- NEMA Design B
- Continuous Duty
- 1.15 SF
- Suitable for 50 Hz , 190/380V, 1.15 SF (Derate in HP)
- Lip Seal on DE and ODE
- Double Sealed Bearings
- Inverter Duty - 10:1 Constant Torque (CT) / 20:1 Variable Torque (VT)
- Factory Certified Class 1 Division 2 Groups A, B, C, D - Temperature Code T2B
- Ambient -20°C to +40°C, Altitude up to 3300 Feet Above Sea Level (FASL)
- Bi-directional Rotation



2

Wash-Down Duty

HP	RPM	Voltage	Frame	Model Number	List Price	FL Amps (A)	FL Eff. (%)	Approx. Wt. (lbs.)
C-Face Round Body (Footless)								
1/3	3600	230/460	56CRD	SSPE13-36-56CRD	\$829.97	0.55	74.0	25
	1800	230/460	56CRD	SSPE13-18-56CRD	\$858.68	0.6	82.5	27
1/2	3600	230/460	56CRD	SSPE12-36-56CRD	\$858.34	0.75	77.0	28
	1800	230/460	56CRD	SSPE12-18-56CRD	\$882.55	0.8	82.5	29
3/4	1200	230/460	56CRD	SSPE12-12-56CRD	\$972.17	0.9	80.0	29
	3600	230/460	56CRD	SSPE34-36-56CRD	\$993.12	1.1	80.0	32
	1800	230/460	56CRD	SSPE34-18-56CRD	\$950.57	1.2	82.5	32
	1200	230/460	56CRD	SSPE34-12-56CRD	\$1,090.27	1.85	81.5	34
1	1200	230/460	143TCRD	SSPE34-12-143TCRD	\$1,149.18	1.85	81.5	34
	3600	230/460	56CRD	SSPE1-36-56CRD	\$1,099.53	1.4	80.0	34
	3600	230/460	143TCRD	SSPE1-36-143TCRD	\$1,147.65	1.4	80.0	39
	1800	230/460	56CRD	SSPE1-18-56CRD	\$1,092.43	1.45	85.5	35
	1800	230/460	143TCRD	SSPE1-18-143TCRD	\$1,127.90	1.45	85.5	35
	1200	230/460	145TCRD	SSPE1-12-145TCRD	\$1,296.37	2.0	82.5	41
1.5	3600	230/460	56CRD	SSPE1.5-36-56CRD	\$1,205.95	2.0	84.0	38
	3600	230/460	143TCRD	SSPE1.5-36-143TCRD	\$1,241.39	2.0	86.5	38
	1800	230/460	56CRD	SSPE1.5-18-56CRD	\$1,234.31	2.0	86.5	41
	1800	230/460	145TCRD	SSPE1.5-18-145TCRD	\$1,262.69	2.0	86.5	41
	1200	230/460	182TCRD	SSPE1.5-12-182TCRD	\$2,189.52	2.45	87.5	81
2	3600	230/460	56CRD	SSPE2-36-56CRD	\$1,305.24	2.4	85.5	45
	3600	230/460	145TCRD	SSPE2-36-145TCRD	\$1,347.80	2.4	85.5	45
	1800	230/460	56CRD	SSPE2-18-56CRD	\$1,340.72	3.0	86.5	50
	1800	230/460	145TCRD	SSPE2-18-145TCRD	\$1,376.18	3.0	86.5	50
	1200	230/460	184TCRD	SSPE2-12-184TCRD	\$2,393.49	3.05	88.5	97
3	3600	230/460	145TCRD	SSPE3-36-145TCRD	\$1,970.18	3.6	86.5	60
	3600	230/460	182TCRD	SSPE3-36-182TCRD	\$2,661.91	4.05	86.5	80
	1800	230/460	145TCRD	SSPE3-18-145TCRD	\$2,207.73	4.1	89.5	65
	1800	230/460	182TCRD	SSPE3-18-182TCRD	\$2,695.61	4.0	89.5	80
	1200	230/460	213TCRD	SSPE3-12-213TCRD	\$3,749.76	4.6	89.5	169
5	3600	230/460	184TCRD	SSPE5-36-184TCRD	\$2,931.48	6.1	88.5	94
	1800	230/460	184TCRD	SSPE5-18-184TCRD	\$3,032.57	6.25	89.5	99
	1200	230/460	215TCRD	SSPE5-12-215TCRD	\$4,442.26	7.0	89.5	199
7.5	3600	230/460	213TCRD	SSPE7.5-36-213TCRD	\$4,447.76	9.5	89.5	154
	1800	230/460	213TCRD	SSPE7.5-18-213TCRD	\$4,447.76	9.3	91.7	179
10	3600	230/460	215TCRD	SSPE10-36-215TCRD	\$4,717.32	12.2	90.2	169
	1800	230/460	215TCRD	SSPE10-18-215TCRD	\$4,717.32	12.2	91.7	209
15	3600	230/460	254TCRD	SSPE15-36-254TCRD	\$10,073.87	18.5	91.0	361
	1800	230/460	254TCRD	SSPE15-18-254TCRD	\$10,073.87	18.5	92.4	368
20	3600	230/460	256TCRD	SSPE20-36-256TCRD	\$11,033.31	23.0	91.0	420
	1800	230/460	256TCRD	SSPE20-18-256TCRD	\$11,033.31	24.5	93.0	434

Premium Efficient | TENV Enclosure | C-Face | IP69K Three-Phase | 230/460 Volt

Product Specifications

- 1/3-20 HP, 3600 and 1800 RPM
- 1/2-5 HP, 1200 RPM
- 230/460 Volt, 60 Hz
- Totally Enclosed Non-Ventillated (TENV) Enclosure
- C-Face with Feet
- Round Welded Junction Box with Epoxy Potted Leads
- 304 Stainless Steel Frame, End Bracket, Junction Box (F1), and Hardware
- Stainless Steel Shaft and Key
- IP69K Protection
- BEAG Certified - Formerly BISSC
- Class F Insulation with Class B Temperature Rise
- NEMA Premium Efficiency
- NEMA Design B
- Continuous Duty
- 1.15 SF
- Suitable for 50 Hz , 190/380V, 1.15 SF (Derate in HP)
- Lip Seal on DE and ODE
- Double Sealed Bearings
- Inverter Duty - 10:1 Constant Torque (CT) / 20:1 Variable Torque (VT)
- Factory Certified Class 1 Division 2 Groups A, B, C, D - Temperature Code T2B
- Ambient -20°C to +40°C, Altitude up to 3300 Feet Above Sea Level (FASL)
- Bi-directional Rotation



2

Wash-Down Duty

HP	RPM	Voltage	Frame	Model Number	List Price	FL Amps (A)	FL Eff. (%)	Approx. Wt. (lbs.)
C-Face with Feet								
1/3	3600	230/460	56C	SSPENV13-36-56C	\$864.73	0.55	72.0	26
	1800	230/460	56C	SSPENV13-18-56C	\$898.07	0.7	74.0	28
1/2	3600	230/460	56C	SSPENV12-36-56C	\$893.59	0.75	74.0	29
	1800	230/460	56C	SSPENV12-18-56C	\$918.14	0.8	78.5	30
3/4	3600	230/460	56C	SSPENV34-36-56C	\$1,029.70	1.1	77.0	33
	1800	230/460	56C	SSPENV34-18-56C	\$993.95	1.2	81.5	33
1	3600	230/460	56C	SSPENV1-36-56C	\$1,244.86	1.4	80.0	39
	3600	230/460	143TC	SSPENV1-36-143TC	\$1,280.59	1.4	80.0	39
	1800	230/460	56C	SSPENV1-18-56C	\$1,280.80	1.55	85.5	42
	1800	230/460	143TC	SSPENV1-18-143TC	\$1,316.69	1.55	85.5	42
1.5	3600	230/460	56C	SSPENV1.5-36-56C	\$1,365.70	1.85	84.0	46
	3600	230/460	143TC	SSPENV1.5-36-143TC	\$1,408.72	1.85	84.0	46
	1800	230/460	56C	SSPENV1.5-18-56C	\$1,401.78	2.2	86.5	51
	1800	230/460	145TC	SSPENV1.5-18-145TC	\$1,437.87	2.2	86.5	51
2	3600	230/460	56C	SSPENV2-36-56C	\$2,151.24	2.5	85.5	60
	3600	230/460	145TC	SSPENV2-36-145TC	\$2,179.01	2.5	85.5	60
	1800	230/460	56C	SSPENV2-18-56C	\$2,401.08	2.7	86.5	65
	1800	230/460	145TC	SSPENV2-18-145TC	\$2,428.83	2.7	86.5	65
3	3600	230/460	182TC	SSPENV3-36-182TC	\$3,244.91	3.60	86.5	95
	1800	230/460	182TC	SSPENV3-18-182TC	\$3,353.30	3.8	89.5	99

Premium Efficient | TENV Enclosure | C-Face Round Body | IP69K Three-Phase | 230/460 Volt

Product Specifications

- 1/3-20 HP, 3600 and 1800 RPM
- 1/2-5 HP, 1200 RPM
- 230/460 Volt, 60 Hz
- Totally Enclosed Non-Ventilated (TENV) Enclosure
- C-Face Round Body
- Round Welded Junction Box with Epoxy Potted Leads
- 304 Stainless Steel Frame, End Bracket, Junction Box (F1), and Hardware
- Stainless Steel Shaft and Key
- IP69K Protection
- BEAG Certified - Formerly BISSC
- Class F Insulation with Class B Temperature Rise
- NEMA Premium Efficiency
- NEMA Design B
- Continuous Duty
- 1.15 SF
- Suitable for 50 Hz , 190/380V, 1.15 SF (Derate in HP)
- Lip Seal on DE and ODE
- Double Sealed Bearings
- Inverter Duty - 10:1 Constant Torque (CT) / 20:1 Variable Torque (VT)
- Factory Certified Class 1 Division 2 Groups A, B, C, D - Temperature Code T2B
- Ambient -20°C to +40°C, Altitude up to 3300 Feet Above Sea Level (FASL)
- Bi-directional Rotation



2

Wash-Down Duty

HP	RPM	Voltage	Frame	Model Number	List Price	FL Amps (A)	FL Eff. (%)	Approx. Wt. (lbs.)
C-Face Round Body (Footless)								
1/3	3600	230/460	56CRD	SSPENV13-36-56CRD	\$830.36	0.55	72.0	26
	1800	230/460	56CRD	SSPENV13-18-56CRD	\$863.70	0.7	74.0	28
1/2	3600	230/460	56CRD	SSPENV12-36-56CRD	\$859.24	0.75	74.0	29
	1800	230/460	56CRD	SSPENV12-18-56CRD	\$883.76	0.8	78.5	30
3/4	3600	230/460	56CRD	SSPENV34-36-56CRD	\$995.33	1.1	77.0	33
	1800	230/460	56CRD	SSPENV34-18-56CRD	\$959.60	1.2	81.5	33
1	3600	230/460	56CRD	SSPENV1-36-56CRD	\$1,210.48	1.4	80.0	39
	3600	230/460	143TCRD	SSPENV1-36-143TCRD	\$1,246.23	1.4	80.0	39
	1800	230/460	56CRD	SSPENV1-18-56CRD	\$1,246.43	1.55	85.5	42
	1800	230/460	143TCRD	SSPENV1-18-143TCRD	\$1,282.31	1.55	85.5	42
1.5	3600	230/460	56CRD	SSPENV1.5-36-56CRD	\$1,331.00	1.9	84.0	46
	3600	230/460	143TCRD	SSPENV1.5-36-143TCRD	\$1,374.03	1.9	84.0	46
	1800	230/460	56CRD	SSPENV1.5-18-56CRD	\$1,367.09	2.2	86.5	51
	1800	230/460	145TCRD	SSPENV1.5-18-145TCRD	\$1,403.17	2.2	86.5	51
2	3600	230/460	56CRD	SSPENV2-36-56CRD	\$2,070.75	2.5	85.5	60
	3600	230/460	145TCRD	SSPENV2-36-145TCRD	\$2,105.45	2.5	85.5	60
	1800	230/460	56CRD	SSPENV2-18-56CRD	\$2,331.68	2.7	86.5	65
	1800	230/460	145TCRD	SSPENV2-18-145TCRD	\$2,359.43	2.7	86.5	65
3	3600	230/460	182TCRD	SSPENV3-36-182TCRD	\$3,140.82	3.6	86.5	95
	1800	230/460	182TCRD	SSPENV3-18-182TCRD	\$3,249.21	3.8	89.5	99

Section 2: Wash-down, Stainless Steel Motors



TEFC | C-Face with Feet and Round Body | IP56 Three-Phase | 230/460 Volt

Product Specifications

- 1/3 - 2 HP
- 3600 and 1800 RPM
- 230/460 Volt
- Totally Enclosed Fan Cooled (TEFC) Enclosure
- IP56 Protection
- 1.15 SF
- Class F Insulation
- Premium Efficiency (NAWSSE Models @ 1-2 HP)
- C-Face with Feet and Round Body (Footless)
- 304 Stainless Steel Frame, End Bracket and Junction Box
- Stainless Steel Shaft
- Anti-Rust Film Applied to Rotor
- Double Lip Seals on Both Ends of the Motor with an Additional Shaft Slinger on the Drive-End
- O-Ring Installed on Endbells to Prevent Moisture Intrusion
- Stainless Steel Cord Connector Included



HP	RPM	Voltage	Frame	Model Number	List Price	FL Amps (A)	FL Eff. (%)	Approx. Wt. (lbs.)	Notes
C-Face with Feet									
1/3	1800	230/460	56C	WSS13-18-56CB	\$398.98	0.7	82.5	28	
1/2	3600	230/460	56C	WSS12-36-56CB	\$411.43	0.9	77.0	29	
	1800	230/460	56C	NAWSS12-18-56C	\$935.63	0.8	82.5	31	
3/4	3600	230/460	56C	WSS34-36-56CB	\$426.10	1.2	73.0	33	
	1800	230/460	56C	NAWSS34-18-56C	\$962.58	1.2	82.5	33	
1	1800	230/460	56C	NAWSSE1-18-56C	\$1,137.62	1.56	85.5	44	P
1.5	1800	230/460	56C	NAWSSE1.5-18-56C	\$1,259.73	2.27	86.5	58	P
2	1800	230/460	56C	NAWSSE2-18-56C	\$1,310.06	2.97	86.5	64	P

Notes: P: NAWSSE models are premium efficiency

Round Body									
1/2	1800	230/460	56C	WSS12-18-56CRD	\$395.05	0.8	82.5	31	
3/4	1800	230/460	56C	WSS34-18-56CRD	\$421.49	1.2	82.5	33	
1	1800	230/460	56C	NAWSSE1-18-56CRD	\$1,186.27	1.56	85.5	44	P
1.5	1800	230/460	56C	NAWSSE1.5-18-56CRD	\$1,316.95	2.27	86.5	58	P
2	1800	230/460	56C	NAWSSE2-18-56CRD	\$1,370.74	2.97	86.5	64	P

TENV | C-Face with Feet and Round Body | IP56 Three-Phase | 230/460 Volt

Product Specifications

- 1/3 - 3/4 HP
- 1800 RPM
- 230/460 Volt
- Totally Enclosed Non-Ventilated (TENV) Enclosure
- IP56 Protection
- 1.15 SF
- Class F Insulation
- C-Face with Feet and Round Body (Footless)
- 304 Stainless Steel Frame, End Bracket and Junction Box
- Stainless Steel Shaft
- Anti-Rust Film Applied to Rotor
- Double Lip Seals with an Additional Shaft Slinger on the Drive-End
- O-Ring Installed on Endbells to Prevent Moisture Intrusion
- Stainless Steel Cord Connector Included



HP	RPM	Voltage	Frame	Model Number	List Price	FL Amps (A)	FL Eff. (%)	Approx. Wt. (lbs.)	Notes
C-Face with Feet									
1/3	1800	230/460	56C	WSSNV13-18-56CB	\$424.45	0.7	82.5	28	
3/4	1800	230/460	56C	WSSNV34-18-56CB	\$472.00	1.2	82.5	33	

Round Body									
1/3	1800	230/460	56C	WSSNV13-18-56CRD	\$403.23	0.7	82.5	28	

Premium Efficient, Close Coupled Pump | TEFC | C-Face with Feet

Three-Phase | 230/460 Volt

Product Specifications

- 1-20 HP, 3600 and 1800 RPM
- 230/460 Volt, 60 Hz
- Totally Enclosed Fan Cooled (TEFC) Enclosure
- C-Face with Feet
- Round Welded Junction Box with Epoxy Potted Leads
- 304 Stainless Steel Frame, End Bracket, Junction Box (F1), and Hardware
- Stainless Steel JM Shaft and Key
- IP69K Protection
- BEAG Certified - Formerly BISSC
- Class F Insulation with Class B Temperature Rise
- NEMA Premium Efficiency
- NEMA Design B
- Continuous Duty
- 1.15 SF
- Suitable for 50 Hz , 190/380V, 1.15 SF (Derate in HP)
- Lip Seal on DE and ODE
- Double Sealed Bearings
- Encapsulated Windings
- Inverter Duty - 10:1 Constant Torque (CT) / 20:1 Variable Torque (VT)
- Factory Certified Class 1 Division 2 Groups A, B, C, D - Temperature Code T2B
- Ambient -20°C to +40°C, Altitude up to 3300 Feet Above Sea Level (FASL)
- Bi-directional Rotation



2

Wash-Down Duty

HP	RPM	Voltage	Frame	Model Number	List Price	FL Amps (A)	FL Eff. (%)	Approx. Wt. (lbs.)
1	3600	230/460	143JM	SSPE1-36-143JM	\$1,604.67	1.4	77.0	35
	1800	230/460	143JM	SSPE1-18-143JM	\$1,604.67	1.45	85.5	36
1.5	3600	230/460	143JM	SSPE1.5-36-143JM	\$1,736.48	2.0	84.0	39
	1800	230/460	145JM	SSPE1.5-18-145JM	\$1,775.33	2.0	86.5	42
2	3600	230/460	145JM	SSPE2-36-145JM	\$1,860.68	2.4	85.5	46
	1800	230/460	145JM	SSPE2-18-145JM	\$1,891.80	3.0	86.5	51
3	3600	230/460	145JM	SSPE3-36-145JM	\$2,688.85	3.6	86.5	60
	1800	230/460	145JM	SSPE3-18-145JM	\$2,956.77	4.1	89.5	60
	3600	230/460	182JM	SSPE3-36-182JM	\$3,658.01	4.05	86.5	81
	1800	230/460	182JM	SSPE3-18-182JM	\$3,695.62	4.0	89.5	81
5	3600	230/460	184JM	SSPE5-36-184JM	\$3,958.73	6.1	88.5	95
	1800	230/460	184JM	SSPE5-18-184JM	\$4,071.48	6.25	89.5	100
7.5	3600	230/460	213JM	SSPE7.5-36-213JM	\$5,924.88	9.5	89.5	155
	1800	230/460	213JM	SSPE7.5-18-213JM	\$5,924.88	9.3	91.7	180
10	3600	230/460	215JM	SSPE10-36-215JM	\$6,225.60	12.2	90.2	170
	1800	230/460	215JM	SSPE10-18-215JM	\$6,225.60	12.2	91.7	210
15	3600	230/460	254JM	SSPE15-36-254JM	\$12,091.66	18.5	91.0	363
	1800	230/460	254JM	SSPE15-18-254JM	\$12,091.66	18.5	92.4	370
20	3600	230/460	256JM	SSPE20-36-256JM	\$13,077.08	23.0	91.0	422
	1800	230/460	256JM	SSPE20-18-256JM	\$13,055.29	24.5	93.0	436

Customer Training Programs

For the staff of distributors, motor shops, and OEMs.

Continuing education courses were created with your staff in mind— to provide information, tools, technical support, and training to sell, quote, install, and support WorldWide Electric products. Held in our World Class UL508A certified facility and distribution center in Hernando, MS, we provide background knowledge and in-depth, hands-on training that is designed for the beginner to the expert.

Sales & Support Training

- Electric Motors | 2 Days
- Gear Reducers | 2 Days
- Motor Controls | 2 Days

Technical Training

- Electric Motors | 2 Days
- Gear Reducers | 2 Days
- Motor Controls | 2 Days

Training programs are held monthly, and are zero cost* to our customers— all accommodation, food and training materials are provided. Call our team for availability and to reserve your spot today.

**Customers are responsible for personal transport to/from their city of origin to Memphis International Airport, all other transport is included.*

**Call your regional sales manager
or the WorldWide sales team at:
(800) 808-2131**



Integral and Fractional Farm Duty Motors from WorldWide Electric



WorldWide Electric's Totally Enclosed Fan Cooled (TEFC) Farm Duty motors support general-purpose agricultural applications, such as moving materials on conveyors, lifts, screws, augers, and elevators, or for driving fans and centrifuges when ventilating, drying, or aerating storage bins and buildings.

Integral

- 2 - 10 hp | 1800 rpm
- 230 Volt, 60 Hz
- IP55 protection
- Rigid Base or C-Face/Feet

Fractional

- $\frac{1}{3}$ - 2 hp | 1800 rpm
- 115/230 Volt, 60 Hz
- IP54 protection
- Rigid Base or C-Face/Feet

Fractional | TEFC Enclosure | Rigid Base and C-Face with Feet Single-Phase | 115/230 Volt

Product Specifications

- 1/3-2 HP
- 1800 RPM
- 115/230 Volt
- Totally Enclosed Fan Cooled (TEFC) Enclosure
- IP54 Protection
- High Torque
- 1.15 SF
- Class F Insulation
- Rigid Base
- 56H Frame Motors Have Double Punched Feet
- Vacuum Pressure Impregnation (VPI) System
- Anti-Rust Film Applied to Rotor
- Capacitor Start / Induction Run (1/3-1 HP)
- Capacitor Start / Capacitor Run (1.5-2 HP) for Reduced Amperage and High Torque
- With Manual Overload
- Improved Shaft Seal on Drive-End Protects Drive-End Bearing from Moisture and Contaminants



56C Frame motors can use Stearns Coupler Brakes - page 12



HP	RPM	Voltage	Frame	Model Number	List Price	FL Amps (A)	FL Eff. (%)	Approx. Wt. (lbs.)	Notes
Rigid Base									
1/3	1800	115/230	56	FM13-18-56	\$412.25	5.2	63.0	22	
1/2	1800	115/230	56	FM12-18-56	\$424.38	7.2	64.5	25	
3/4	1800	115/230	56	FM34-18-56	\$496.69	10.0	67.0	29	
1	1800	115/230	56	FM1-18-56	\$518.66	13.0	70.0	36	
1.5	1800	115/230	56H	FM1.5-18-56H	\$615.37	14.5	77.0	37	H
2	1800	115/230	56HZ	FM2-18-56HZ	\$742.83	19.6	79.0	45	H Z

C-Face with Feet									
1/3	1800	115/230	56C	FM13-18-56C	\$472.96	5.2	63.0	22	
1/2	1800	115/230	56C	FM12-18-56C	\$485.82	7.2	64.5	25	
3/4	1800	115/230	56C	FM34-18-56C	\$568.24	10.0	67.0	29	
1	1800	115/230	56C	FM1-18-56C	\$592.59	13.0	70.0	36	
1.5	1800	115/230	56HC	FM1.5-18-56HC	\$701.59	14.5	77.0	37	H
2	1800	115/230	56HZC	FM2-18-56HZC	\$845.16	19.6	79.0	45	H Z

Notes:
 H: Suitable for mounting in either 56, 143T or 145T mounting dimensions
 Z: Motor has 7/8" diameter shaft

Integral | TEFC Enclosure | Rigid Base and C-Face with Feet Single-Phase | 230 Volt

Product Specifications

- 2-10 HP
- 1800 RPM
- 230 Volt
- Totally Enclosed Fan Cooled (TEFC) Enclosure
- IP55 Protection
- 1.15 SF
- Class F Insulation
- Rigid Base and C-Face with Feet
- Dual-Drilled Feet With Manual Overload
- Capacitor Start / Capacitor Run for Reduced Amperage and High Torque
- With Manual Overload
- Shaft Seals on Both Ends of the Motor
- Cast Aluminum Endbells



HP	RPM	Voltage	Frame	Model Number	List Price	FL Amps (A)	FL Eff. (%)	Approx. Wt. (lbs.)	Notes
Rigid Base									
2	1800	230	145T	FD2-18-145T	\$679.90	7.8	85.6	54	
	1800	230	182T	FD2-18-182T	\$754.04	8.5	84.0	54	
3	1800	230	184T	FD3-18-184T	\$897.24	12.5	84.4	76	
5	1800	230	184T	FD5-18-184T	\$1,057.97	20.2	86.4	101	
7.5	1800	230	215T	FD7.5-18-215T	\$1,628.74	28.7	86.6	134	
	1800	230	215TZ	FD7.5-18-215TZ	\$1,628.74	28.7	86.6	134	Z
10	1800	230	215T	FD10-18-215T	\$1,898.38	38.8	87.5	149	

C-Face									
2	1800	230	182TC	FD2-18-182TC	\$853.00	8.5	84.0	54	
3	1800	230	184TC	FD3-18-184TC	\$934.63	12.5	84.4	76	
5	1800	230	184TC	FD5-18-184TC	\$1,102.06	20.2	86.4	101	
7.5	1800	230	215TC	FD7.5-18-215TC	\$1,696.60	28.7	86.6	134	
10	1800	230	215TC	FD10-18-215TC	\$1,977.47	38.8	87.5	149	

FD Motor C-Flange Kits		
Frame Size	Model Number	List Price
145T	FD140TC	\$130.14
182T / 184T	FD180TC	\$168.44
215T	FD210TC	\$232.59

Notes:
Z: Motor has 1-1/8" diameter shaft

Grain Dryer | Centrifugal Fan Motors | TEFC Enclosure | Rigid Base Three-Phase | 230/460 Volt

Product Specifications

- 3-50 HP
- 1800 RPM
- Three-Phase
- 230/460 Volt, 60 Hz
- Totally Enclosed Fan Cooled (TEFC) Enclosure
- IP55 Protection
- 1.25 SF
- Class F Insulation
- Rigid Base
- NEMA Premium Efficiency
- 1" Longer Shaft Than Standard T-Frame
- 72" Long Leads
- Oil Seal on Drive-End and Opposite Drive-End
- Vacuum Pressure Impregnation (VPI) System
- Double Shielded Ball Bearings on all Ratings
- Inverter Duty, 10:1 CT / 20:1 VT at 1.0 SF
- Class 1, Division 2, Groups A, B, C, D



HP	RPM	Voltage	Frame	Model Number	List Price	FL Amps (A)	FL Eff. (%)	Approx. Wt. (lbs.)	Notes
3	1800	230/460	182TZ	PEWWE3-18-182TZ-GD	\$1,223.00	4.08	89.50%	84.5	FC
5	1800	230/460	184TZ	PEWWE5-18-184TZ-GD	\$1,430.00	6.3	89.50%	103	
7.5	1800	230/460	213TZ	PEWWE7.5-18-213TZ-GD	\$2,116.00	9.23	91.70%	159	
10	1800	230/460	215TZ	PEWWE10-18-215TZ-GD	\$2,316.00	12.2	91.70%	181	
15	1800	230/460	254TZ	PEWWE15-18-254TZ-GD	\$3,314.00	18.1	92.40%	256	FC
20	1800	230/460	256TZ	PEWWE20-18-256TZ-GD	\$3,743.00	23.7	93.00%	299	FC
25	1800	230/460	284TZ	PEWWE25-18-284TZ-GD	\$4,686.00	29.4	93.60%	370	FC
30	1800	230/460	286TZ	PEWWE30-18-286TZ-GD	\$5,042.00	35.3	93.60%	408	FC
40	1800	230/460	324TZ	PEWWE40-18-324TZ-GD	\$6,721.00	46.8	94.10%	520	FC
50	1800	230/460	326TZ	PEWWE50-18-326TZ-GD	\$7,026.00	57.6	94.50%	585	FC

Notes:
FC: F1/F2 convertible

Vertical Hollow Shaft Motors

For use in standard and high-thrust turbine pump applications, such as pivot systems, deep wells, and groundwater pumping applications. VHS motors offer premium efficiency, corrosion-resistant epoxy paint, epoxy-coated rotor and windings, and a felt end bell seal that protects from pump seal failure.



- 10 - 500 hp | 1800 rpm
- IP23 weather protected enclosure
- Standard coupling size included
- Double thrust bearing (100-500 hp) for deep applications
- Two-year warranty

See page 68

IEC Aluminum Frame Metric Motors from WorldWide Electric

Designed for the needs of our customers utilizing equipment manufactured overseas. Our IEC motors operate at IE3 Efficiency at 50 Hz and are NEMA Premium Efficient at 60 Hz operation.

- Totally Enclosed Fan Cooled (TEFC) Enclosure
- ¼ - 25 hp | 3600, 1800, and 1200 rpm
- 230/460 Volt, 60 Hz
- 190/380 Volt, 50 Hz
- IP55 protection
- IEC60034-1 & CE Certified



TEFC Enclosure | Multi-Mount Three-Phase | 230/460 Volt

Order Codes on
Next Page

Product Specifications

- 1/4-25 HP
- 3600, 1800, and 1200 RPM
- 230/460 Volt, 60 Hz
- 190/380 Volt, 50 Hz
- Totally Enclosed Fan Cooled (TEFC) Enclosure
- IP55 Protection
- 1.15 SF (1.0 SF at 50 Hz)
- IEC60034-1
- CE Certified
- IE3 Efficiency at 50 Hz Operation
- Aluminum Frame
- Multi-Mounting Frame Design
- F3 Configuration from Stock
- Oil Seal on DE and ODE
- Vacuum Pressure Impregnation (VPI) System
- RAL 6007 Finish Color



4

TEFC Enclosure | Accessories IEC FF Flanges and C-Flanges

IEC Aluminum Frame

IEC Motor FF Flanges (B35/B5 Mounting)



Model Number	Frame Size	List Price
IEC63-FF	63	\$35.27
IEC71-FF	71	\$46.32
IEC80-FF	80	\$72.19
IEC90-FF	90	\$76.43
IEC100-FF	100	\$104.11
IEC112-FF	112	\$126.40
IEC132-FF	132	\$166.70
IEC160-FF	160	\$249.04

IEC Motor C-Din Flanges (B34/B14 Mounting)



Model Number	Frame Size	List Price
IEC63-C	63	\$26.47
IEC71-C	71	\$29.82
IEC80-C	80	\$39.20
IEC90-C	90	\$40.93
IEC100-C	100	\$54.56
IEC112-C	112	\$69.99
IEC132-C	132	\$107.53

Section 4: IEC Aluminum Frame Motors



TEFC Enclosure | Multi-Mount Three-Phase | 230/460 Volt

HP	kW	RPM	Voltage*	Frame	Model Number	List Price	-FF (D) Flange Attached	-C Flange Attached	FL Amps (A)	FL Eff. (%)	Approx. Wt. (kg.)
1/4	0.19	3600	230/460	63	IEC14-36-63	\$394.81	\$432.00	\$432.00	0.42	65.6	4.5
		1800	230/460	63	IEC14-18-63	\$407.56	\$446.00	\$446.00	0.55	69.5	5
1/3	0.25	3600	230/460	63	IEC13-36-63	\$420.30	\$460.00	\$460.00	0.61	69.5	4.5
		1800	230/460	63	IEC13-18-63	\$443.94	\$486.00	\$486.00	0.77	73.4	5.75
1/2	0.37	3600	230/460	71	IEC12-36-71	\$462.83	\$506.00	\$506.00	0.80	73.4	6.5
		1800	230/460	71	IEC12-18-71	\$481.70	\$527.00	\$527.00	0.99	78.2	7.7
3/4	0.56	1800	230/460	71	IEC34-18-71	-	\$546.00	\$546.00	1.55	82.3	8.0*
		3600	230/460	80	IEC34-36-80	\$510.02	\$558.00	\$558.00	1.10	76.8	8.9
		1800	230/460	80	IEC34-18-80	\$534.17	\$584.00	\$584.00	1.23	81.1	10.3
1	0.75	3600	230/460	80	IEC1-36-80	\$554.88	\$607.00	\$607.00	1.50	77.0	9.6
		1800	230/460	80	IEC1-18-80	\$566.76	\$620.00	\$620.00	1.58	83.5	12
		1200	230/460	90S	IEC1-12-90	\$541.00	\$568.00	\$568.00	1.77	82.5	---
1.5	1.1	3600	230/460	80	IEC1.5-36-80	\$598.40	\$661.00	\$661.00	1.97	84.0	11.7
		1800	230/460	90S	IEC1.5-18-90	\$577.49	\$646.00	\$646.00	2.11	86.5	15.7
		1200	230/460	90L	IEC1.5-12-90	\$778.00	\$817.00	\$817.00	2.39	87.5	---
2	1.5	3600	230/460	90S	IEC2-36-90	\$572.21	\$640.00	\$640.00	2.64	85.5	15.4
		1800	230/460	90L	IEC2-18-90	\$607.37	\$680.00	\$680.00	3.11	86.5	17.3
		1200	230/460	100L	IEC2-12-100	\$790.00	\$829.00	\$829.00	3.24	88.5	---
3	2.2	3600	230/460	90L	IEC3-36-90	\$650.11	\$727.00	\$727.00	3.91	86.5	17.5
		1800	230/460	100L	IEC3-18-100	\$781.92	\$875.00	\$875.00	3.98	89.5	23.8
		1200	230/460	112M	IEC3-12-112	\$1,024.00	\$1,075.00	\$1,075.00	4.84	89.5	---
4	3.0	3600	230/460	100L	IEC4-36-100	\$859.88	\$962.00	\$962.00	4.90	88.5	25
		1800	230/460	100L	IEC4-18-100	\$863.00	\$965.00	\$965.00	5.64	89.5	26.4
		1200	230/460	132S	IEC4-12-132	\$1,445.00	\$1,517.00	\$1,517.00	5.71	89.5	---
5.5	3.7	3600	230/460	112M	IEC5.5-36-112	\$1,049.85	\$1,174.00	\$1,174.00	6.43	88.5	31
		1800	230/460	112M	IEC5.5-18-112	\$1,067.03	\$1,193.00	\$1,193.00	6.73	88.6	35.5
		1200	230/460	132M	IEC5.5-12-132	\$1,696.99	\$1,788.00	\$1,788.00	7.32	89.5	---
7.5	5.6	3600	230/460	132S	IEC7.5-36-132	\$1,467.08	\$1,641.00	\$1,641.00	8.77	89.5	41.7
		1800	230/460	132S	IEC7.5-18-132	\$1,490.50	\$1,667.00	\$1,667.00	9.37	91.7	45.5
		1200	230/460	132M	IEC7.5-12-132	\$1,748.00	\$1,835.00	\$1,835.00	10.19	91.0	---
10	7.5	3600	230/460	132S	IEC10-36-132	\$1,608.17	\$1,798.00	\$1,798.00	12.08	90.2	46.2
		1800	230/460	132M	IEC10-18-132	\$1,648.67	\$1,844.00	\$1,844.00	13.10	91.7	56.5
		1200	230/460	160M	IEC10-12-160	\$2,559.00	\$2,687.00	---	12.85	91.0	---
15	11.2	3600	230/460	160M	IEC15-36-160	\$2,531.72	\$2,831.00	---	16.62	91.0	85
		1800	230/460	160M	IEC15-18-160	\$2,687.17	\$3,005.00	---	17.29	92.4	88.5
		1200	230/460	160L	IEC15-12-160	\$2,904.00	\$3,049.00	---	19.17	91.7	---
20	15.0	3600	230/460	160M	IEC20-36-160	\$2,822.10	\$3,155.00	---	22.09	91.0	98
		1800	230/460	160L	IEC20-18-160	\$2,998.72	\$3,353.00	---	24.08	93.0	105.5
25	18.6	3600	230/460	160L	IEC25-36-160	\$2,969.61	\$3,320.00	---	27.91	91.7	109.5

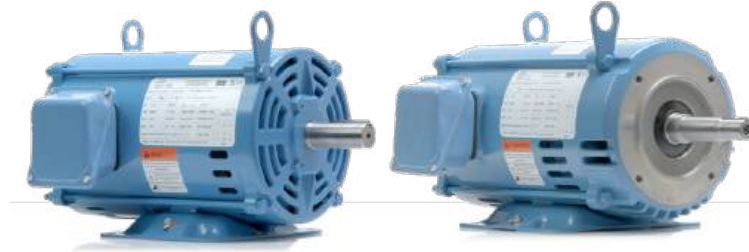
Notes:
* Estimated Weight

4

IEC Aluminum Frame

NOTES

Open Drip Proof Motors from WorldWide Electric



Ideal for use in HVAC and refrigeration equipment, air compressors, and general purpose installations where cooler-running, non-enclosed motors are required.

- ½ - 200 hp | 3600, 1800, and 1200 rpm
- 230/460 Volt, 60 Hz
- IP23 protection
- 1.15 SF
- Enclosure: rolled steel frame (56 - 324/6T)
- Double drilled feet to accommodate mounting flexibility (143T - 445T) or F1 to F2 conversions
- Lifting eyes on larger models assist with installation
- Rigid base on all models, except 56 Frame which has C-Face with removable base.

200 Volt (143T - 326T)

- 1 - 50 hp | 3600 and 1800 rpm
- 200 Volt, 60 Hz
- Double drilled feet to accommodate mounting flexibility (143T - 326T)



56HZ Frame Rigid Base

- 3 hp | 1800 rpm
- Mounting Dimensions for 56, 143T, and 145T frames with 7/8" Diameter Shaft

Cast Iron Frame (364/5T - 444/5T)

- 60 - 200 hp | 3600 and 1800 rpm
- 230/460 Volt, 60 Hz



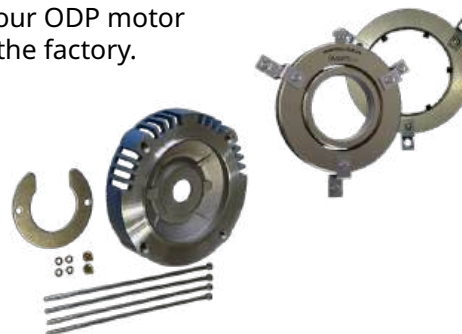
Grounding Rings

WorldWide Electric Open Drip Proof (ODP) motors 143T and above are pre-drilled and tapped to accept grounding rings. You can also order your ODP motor with a grounding ring already installed from the factory.

- 143 to 445 Frame Sizes
- T & TS compatible

ODP Motor C Flange Kits

- 56 Frame Sizes
- 143 - 445T Frame Sizes



Section 5: Open Drip Proof (ODP) Motors



Premium Efficient | ODP | Rigid Base Three-Phase | 230/460 and 200 Volt

Product Specifications

- 1/2-200 HP
- 3600, 1800, 1200 RPM
- 230/460 Volt, 60 Hz
- 190/380 Volt, 50 Hz
- 200 Volt, 60 Hz
- Open Drip Proof (ODP) Enclosure
 - Rolled Steel Frame (56-324/6T)
 - Cast Iron Frame (364/5-444/5T)
- IP23 Protection
- 1.15 SF (1.0 SF at 50 Hz)
- Class F Insulation
- NEMA Premium Efficiency
- Rigid Base (Exception: 56 Frame has C-Face with Removable Base)
- Class B Temperature Rise
- Inverter Duty, 10:1 CT / 20:1 VT (1.0 SF)
- Inverter Grade Magnet Wire Meets or Exceeds NEMA MG-1 Part 31
- Pre-Drilled and Tapped Drive Endbells on 143T Frame and Up to Accept Inpro® Current Diverter Rings and WWE Grounding Rings; No Machining Required, Simple and Easy Installation
- 254T and larger are suitable for F1 to F2 conversion
- Exclusive Double Vacuum Pressure Impregnation (VPI) Insulation System
- Double Drilled Feet to Accommodate Mounting Flexibility (143T-445T)



HP	RPM	Voltage	Frame	Model Number	List Price	FL Amps (A)	FL Eff. (%)	Approx. Wt. (lbs.)	Notes
1/2	3600	230/460	56C	ODP12-36-56CB	\$393.00	0.73	73.4	22	1
	1800	230/460	56C	ODP12-18-56CB	\$425.25	0.95	78.2	27	1
3/4	3600	230/460	56C	ODP34-36-56CB	\$418.37	0.98	76.8	27	1
	1800	230/460	56C	ODP34-18-56CB	\$451.45	1.1	81.1	27	1
1	3600	230/460	143T	ODP1-36-143T	\$525.75	1.35	77.0	29	
	3600	200	143T	ODP1-36-200-143T	\$525.75	3.11	77.0%	28.7	
	1800	230/460	143T	ODP1-18-143T	\$464.99	1.4	85.5	34	
	1800	200	143T	ODP1-18-200-143T	\$464.99	3.22	85.5%	33.1	
	1800	230/460	143T	ODP1-18-143T-F2	\$464.99	1.4	85.5	34	F2
	1800	230/460	143T	ODP1-18-143T-GR	\$647.37	1.4	85.5	34	GR
	1200	230/460	145T	ODP1-12-145T	\$598.97	1.7	82.5	41	
1.5	3600	230/460	143T	ODP1.5-36-143T	\$614.73	1.9	84.0	32	
	3600	200	143T	ODP1.5-36-200-143T	\$614.73	4.37	84.0%	32	
	1800	230/460	145T	ODP1.5-18-145T	\$578.48	2.1	86.5	35	
	1800	200	145T	ODP1.5-18-200-145T	\$578.48	4.83	86.5%	34.2	
	1800	230/460	145T	ODP1.5-18-145T-F2	\$578.48	2.1	86.5	35	F2
	1800	230/460	145T	ODP1.5-18-145T-GR	\$760.85	2.1	86.5	35	GR
2	1200	230/460	182T	ODP1.5-12-182T	\$752.56	2.6	86.5	65	
	3600	230/460	145T	ODP2-36-145T	\$692.65	2.5	85.5	35	
	3600	200	145T	ODP2-36-200-145T	\$692.65	5.75	85.5%	34.2	
	1800	230/460	145T	ODP2-18-145T	\$613.57	2.7	86.5	39	
	1800	200	145T	ODP2-18-200-145T	\$613.57	6.21	86.5%	38.6	
	1800	230/460	145T	ODP2-18-145T-F2	\$613.57	2.7	86.5	39	F2
	1800	230/460	145T	ODP2-18-145T-GR	\$795.94	2.7	86.5	39	GR
3	1200	230/460	184T	ODP2-12-184T	\$927.31	3.5	87.5	76	
	3600	230/460	145T	ODP3-36-145T	\$740.85	3.7	85.5	40	
	3600	200	145T	ODP3-36-200-145T	\$740.85	8.51	85.5%	39.7	
	1800	230/460	56HZ	ODP3-18-56HZ	\$803.00	4.1	86.9	45	
	1800	230/460	182T	ODP3-18-182T	\$738.78	3.9	89.5	69	
	1800	200	182T	ODP3-18-200-182T	\$738.78	8.97	89.5%	68.3	
	1800	230/460	182T	ODP3-18-182T-F2	\$738.78	3.9	89.5	69	F2
	1800	230/460	182T	ODP3-18-182T-GR	\$957.63	3.9	89.5	69	GR
	1200	230/460	213T	ODP3-12-213T	\$1,529.90	4.3	88.5	120	

Order codes continued. See next page for product notes.

Section 5: Open Drip Proof (ODP) Motors



Premium Efficient | ODP | Rigid Base (Continued...)

Three-Phase | 230/460 and 200 Volt

HP	RPM	Voltage	Frame	Model Number	List Price	FL Amps (A)	FL Eff. (%)	Approx. Wt. (lbs.)	Notes
5	3600	230/460	182T	ODP5-36-182T	\$852.23	5.9	86.5	79	
	3600	200	182T	ODP5-36-200-182T	\$852.23	13.6	86.5%	64.9	
	1800	230/460	184T	ODP5-18-184T	\$881.71	6.2	89.5	92	
	1800	200	184T	ODP5-18-200-184T	\$881.71	14.3	89.5%	91.5	
	1800	230/460	184T	ODP5-18-184T-F2	\$881.71	6.2	89.5	92	F2
	1800	230/460	184T	ODP5-18-184T-GR	\$1,100.56	6.2	89.5	92	GR
	1200	230/460	215T	ODP5-12-215T	\$1,727.39	6.5	89.5	145	
7.5	3600	230/460	184T	ODP7.5-36-184T	\$1,204.13	8.68	88.5	79	
	3600	200	184T	ODP7.5-36-200-184T	\$1,204.13	20.0	88.5%	78.1	
	1800	230/460	213T	ODP7.5-18-213T	\$1,197.78	9.8	91.0	141	
	1800	200	213T	ODP7.5-18-200-213T	\$1,197.78	22.5	91.0%	140.2	
	1800	230/460	213T	ODP7.5-18-213T-F2	\$1,197.78	9.8	91.0	141	F2
	1800	230/460	213T	ODP7.5-18-213T-GR	\$1,455.62	9.8	91.0	141	GR
	1200	230/460	254T	ODP7.5-12-254T	\$2,146.43	9.7	90.2	185	FC
10	3600	230/460	213T	ODP10-36-213T	\$1,395.95	11.8	89.5	151	
	3600	200	213T	ODP10-36-200-213T	\$1,395.95	27.1	89.5%	150.4	
	1800	230/460	215T	ODP10-18-215T	\$1,429.47	12.2	91.7	156	
	1800	200	215T	ODP10-18-200-215T	\$1,429.47	29.4	91.7%	156	
	1800	230/460	215T	ODP10-18-215T-F2	\$1,429.47	12.2	91.7	156	F2
	1800	230/460	215T	ODP10-18-215T-GR	\$1,687.31	12.2	91.7	156	GR
	1200	230/460	256T	ODP10-12-256T	\$2,454.71	13.1	91.7	240	
15	3600	230/460	215T	ODP15-36-215T	\$1,822.10	17.1	90.2	142	
	3600	200	215T	ODP15-36-200-215T	\$1,822.10	39.3	90.2%	142	
	1800	230/460	254T	ODP15-18-254T	\$1,955.76	17.4	93.0	215	FC
	1800	200	254T	ODP15-18-200-254T	\$1,955.76	40.0	93.0%	214.9	
	1800	230/460	254T	ODP15-18-254T-GR	\$2,252.60	17.4	93.0	215	FC GR
	1200	230/460	284T	ODP15-12-284T	\$3,315.38	18.3	91.7	331	FC
	20	3600	230/460	254T	ODP20-36-254T	\$2,312.88	22.1	91.0	247
3600		200	254T	ODP20-36-200-254T	\$2,312.88	50.8	91.0%	246.9	FC
1800		230/460	256T	ODP20-18-256T	\$2,396.72	23.3	93.0	261	FC
1800		200	256T	ODP20-18-200-256T	\$2,396.72	53.6	93.0%	260.1	FC
1800		230/460	256T	ODP20-18-256T-GR	\$2,693.54	23.3	93.0	261	FC GR
1200		230/460	286T	ODP20-12-286T	\$3,905.67	25.5	92.4	330	FC
25		3600	230/460	256T	ODP25-36-256T	\$2,815.32	27.0	91.7	270
	3600	200	256T	ODP25-36-200-256T	\$2,815.32	62.1	91.7%	270	FC
	1800	230/460	284T	ODP25-18-284T	\$2,915.66	30.0	93.6	300	FC
	1800	200	284T	ODP25-18-200-284T	\$2,915.66	69.0	93.6%	300	FC
	1800	230/460	284T	ODP25-18-284T-GR	\$3,272.85	30.0	93.6	300	FC GR
	1200	230/460	324T	ODP25-12-324T	\$4,955.78	30.8	93.0	440	FC
	30	3600	230/460	284TS	ODP30-36-284TS	\$3,362.81	33.2	91.7	329
3600		200	284TS	ODP30-36-200-284TS	\$3,362.81	76.4	91.7%	329	FC
1800		230/460	286T	ODP30-18-286T	\$3,324.88	35.1	94.1	330	FC
1800		200	286T	ODP30-18-200-286T	\$3,324.88	80.7	94.1%	330	FC
1800		230/460	286T	ODP30-18-286T-GR	\$3,682.08	35.1	94.1	330	FC GR
1200		230/460	326T	ODP30-12-326T	\$5,205.21	37.0	93.6	470	FC

Order codes continued. See next page for product notes.

Section 5: Open Drip Proof (ODP) Motors



Premium Efficient | ODP | Rigid Base (Continued...)

Three-Phase | 230/460 and 200 Volt

HP	RPM	Voltage	Frame	Model Number	List Price	FL Amps (A)	FL Eff. (%)	Approx. Wt. (lbs.)	Notes
40	3600	230/460	286TS	ODP40-36-286TS	\$4,288.65	45.4	92.4	340	FC
	3600	200	286TS	ODP40-36-200-286TS	\$4,288.65	104.4	92.4%	340	FC
	1800	230/460	324T	ODP40-18-324T	\$4,344.95	47.9	94.1	440	FC
	1800	200	324T	ODP40-18-200-324T	\$4,344.95	110.2	94.1%	440	FC
	1800	230/460	324T	ODP40-18-324T-GR	\$4,749.96	47.9	94.1	440	FC GR
	1200	230/460	364T	ODP40-12-364T	\$6,200.91	46.7	94.1	706	FC
50	3600	230/460	324TS	ODP50-36-324TS	\$5,186.42	56.1	93.0	418	FC
	3600	200	324TS	ODP50-36-200-324TS	\$5,186.42	129.0	93.0%	418	FC
	1800	230/460	326T	ODP50-18-326T	\$5,011.00	59.3	94.5	470	FC
	1800	200	326T	ODP50-18-200-326T	\$5,011.00	136.4	94.5%	470	FC
	1800	230/460	326T	ODP50-18-326T-GR	\$5,415.99	59.3	94.5	470	FC GR
	1200	230/460	365T	ODP50-12-365T	\$7,056.58	57.6	94.1	744	FC
60	3600	230/460	326TS	ODP60-36-326TS	\$6,037.66	67.8	93.6	455	FC
	1800	230/460	364T	ODP60-18-364T	\$6,144.21	71.1	95.1	706	FC
	1800	230/460	364TS	ODP60-18-364TS	\$6,144.21	71.1	95.1	706	FC
75	3600	230/460	364TS	ODP75-36-364TS	\$6,717.15	83.3	93.6	706	FC
	1800	230/460	365T	ODP75-18-365T	\$7,162.65	86.3	95.0	744	FC
	1800	230/460	365TS	ODP75-18-365TS	\$7,162.65	86.3	95.0	744	FC
100	3600	230/460	365TS	ODP100-36-365TS	\$7,933.31	110.6	93.6	816	FC
	1800	230/460	404T	ODP100-18-404T	\$9,335.36	115.3	95.4	1034	FC
	1800	230/460	404TS	ODP100-18-404TS	\$9,335.36	115.3	95.4	1034	FC
125	3600	230/460	404TS	ODP125-36-404TS	\$11,256.89	128.8	94.1	1089	FC
	1800	230/460	405T	ODP125-18-405T	\$11,615.35	136.2	95.4	1085	FC
	1800	230/460	405TS	ODP125-18-405TS	\$11,615.35	136.2	95.4	1085	FC
150	3600	230/460	405TS	ODP150-36-405TS	\$12,851.11	160.5	94.1	1165	FC
	1800	230/460	444T	ODP150-18-444T	\$13,505.96	165.4	95.8	1504	FC
	1800	230/460	444TS	ODP150-18-444TS	\$13,505.96	165.4	95.8	1504	FC
200	3600	230/460	444TS	ODP200-36-444TS	\$16,723.37	219.4	95.0	1654	FC
	1800	230/460	445T	ODP200-18-445T	\$16,470.09	224.4	95.8	1733	FC

Notes:

1: 56C-face removable base

F2: Factory F2 mount

FC: F1/F2 convertible

GR: Factory installed grounding rings (WWE brand)

5

Open Drip Proof

ODP Motor | Grounding Rings

For Use on WorldWide Electric Motors

Inpro® Current Diverter Rings

Model Number	Frame Size	List Price
CDR-140T	143T / 145T	\$337.59
CDR-180T	182T / 184T	\$429.66
CDR-210T	213T / 215T	\$531.96
CDR-250T/280TS	254T / 256T / 284TS / 286TS	\$624.05
CDR-280T/320TS/360TS	284T / 286T / 324TS / 326TS / 364TS / 365TS	\$716.12
CDR-320T/400TS	324T / 326T / 404TS / 405TS	\$818.42
CDR-360T/440TS	364T / 365T / 444TS	\$910.49
CDR-400T	404T / 405T	\$1,104.86
CDR-440T	444T / 445T	\$1,462.92

WorldWide Electric Grounding Rings

Model Number	Frame Size	List Price
GR-140	143/145T	\$139.61
GR-180	182/184T	\$176.09
GR-210	213/215T	\$203.75
GR-250/280TS	254/256T/284/286T	\$240.22
GR-280/320TS/360TS	284/286T/324/326TS/364/365TS	\$276.70
GR-320/400TS	324/326T/404/405TS	\$320.72
GR-360/440TS	364/365T/444/445TS	\$383.61
GR-400	404/405T	\$451.00

ODP Motor C-Flange Kits

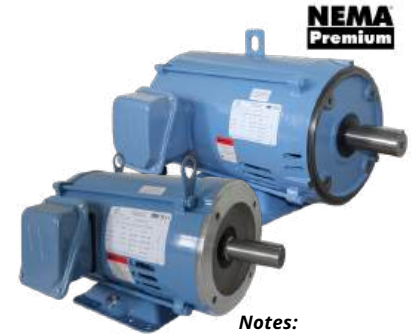
Model Number	Frame Size	List Price
ODP56C	56	\$34.78
ODP140TC	143T / 145T	\$87.84
ODP180TC	182T / 184T	\$94.59
ODP210TC	213T / 215T	\$214.25
ODP250TC	254T / 256T	\$236.51
ODP280TC	284T / 286T	\$286.62
ODP320TC	324T / 326T	\$349.21
ODP360TC	364T/365T	\$484.01
ODP400TC	404T/405T	\$665.35
ODP440TC	444T/445T	\$844.00



Premium Efficient | ODP | C-Face with Feet Three-Phase | 230/460 Volt

Product Specifications

- 1-200 HP | 3600, 1800 RPM
- 230/460 Volt, 60 Hz
- 190/380 Volt, 50 Hz
- Open Drip Proof (ODP) Enclosure
 - Rolled Steel Frame (143/5-324/6TC)
 - Cast Iron Frame (364/5-444/5TC)
- C-Face with Feet
- IP23 Protection
- 1.15 SF (1.0 SF at 50 Hz)
- Class F Insulation, Class B Temperature Rise
- NEMA Premium Efficiency
- Inverter Duty, 10:1 CT / 20:1 VT (1.0 SF)
- Inverter Grade Magnet Wire Meets or Exceeds NEMA MG-1 Part 31
- 254TC and larger are suitable for F1 to F2 conversion
- Exclusive Double Vacuum Pressure Impregnation (VPI) Insulation System
- Double Drilled Feet - Mounting Flexibility



Notes:
FC: F1/F2 convertible

HP	RPM	Voltage	Frame	Model Number	List Price	FL Amps (A)	FL Eff. (%)	Approx. Wt. (lbs.)	Notes
1	3600	230/460	143TC	ODP1-36-143TC	\$561.00	1.35	77.0	29	
	1800	230/460	143TC	ODP1-18-143TC	\$496.00	1.4	85.5	34	
1.5	3600	230/460	143TC	ODP1.5-36-143TC	\$655.00	1.9	84.0	32	
	1800	230/460	145TC	ODP1.5-18-145TC	\$616.00	2.1	86.5	35	
2	3600	230/460	145TC	ODP2-36-145TC	\$738.00	2.5	85.5	35	
	1800	230/460	145TC	ODP2-18-145TC	\$639.00	2.7	86.5	39	
3	3600	230/460	145TC	ODP3-36-145TC	\$790.00	3.7	85.5	40	
	1800	230/460	182TC	ODP3-18-182TC	\$787.00	3.9	89.5	69	
5	3600	230/460	182TC	ODP5-36-182TC	\$908.00	5.9	86.5	79	
	1800	230/460	184TC	ODP5-18-184TC	\$940.00	6.2	89.5	92	
7.5	3600	230/460	184TC	ODP7.5-36-184TC	\$1,283.00	8.68	88.5	79	
	1800	230/460	213TC	ODP7.5-18-213TC	\$1,277.00	9.8	91.0	141	
10	3600	230/460	213TC	ODP10-36-213TC	\$1,488.00	11.8	89.5	151	
	1800	230/460	215TC	ODP10-18-215TC	\$1,523.00	12.2	91.7	156	
15	3600	230/460	215TC	ODP15-36-215TC	\$1,942.00	17.1	90.2	142	
	1800	230/460	254TC	ODP15-18-254TC	\$2,084.00	17.4	93.0	215	FC
20	3600	230/460	254TC	ODP20-36-254TC	\$2,465.00	22.1	91.0	247	FC
	1800	230/460	256TC	ODP20-18-256TC	\$2,554.00	23.3	93.0	261	FC
25	3600	230/460	256TC	ODP25-36-256TC	\$3,001.00	27.0	91.7	270	FC
	1800	230/460	284TC	ODP25-18-284TC	\$3,107.00	30.0	93.6	300	FC
30	3600	230/460	284TSC	ODP30-36-284TSC	\$3,584.00	33.2	91.7	329	FC
	1800	230/460	286TC	ODP30-18-286TC	\$3,543.00	35.1	94.1	330	FC
40	3600	230/460	286TSC	ODP40-36-286TSC	\$4,571.00	45.4	92.4	340	FC
	1800	230/460	324TC	ODP40-18-324TC	\$4,631.00	47.9	94.1	440	FC
50	3600	230/460	324TSC	ODP50-36-324TSC	\$5,528.00	56.1	93.0	418	FC
	1800	230/460	326TC	ODP50-18-326TC	\$5,341.00	59.3	94.5	470	FC
60	3600	230/460	326TSC	ODP60-36-326TSC	\$6,129.00	67.8	93.6	455	FC
	1800	230/460	364TC	ODP60-18-364TC	\$6,237.00	71.1	95.1	706	FC
75	3600	230/460	364TSC	ODP75-36-364TSC	\$6,809.00	83.3	93.6	706	FC
	1800	230/460	365TC	ODP75-18-365TC	\$7,260.00	86.3	95.0	744	FC
100	3600	230/460	365TSC	ODP100-36-365TSC	\$8,041.00	110.6	93.6	816	FC
	1800	230/460	404TC	ODP100-18-404TC	\$9,462.00	115.3	95.4	1034	FC
125	3600	230/460	404TSC	ODP125-36-404TSC	\$11,390.00	128.8	94.1	1089	FC
	1800	230/460	405TC	ODP125-18-405TC	\$11,770.00	136.2	95.4	1085	FC
150	3600	230/460	405TSC	ODP150-36-405TSC	\$13,299.00	160.5	94.1	1165	FC
	1800	230/460	444TC	ODP150-18-444TC	\$16,095.00	165.4	95.8	1504	FC
200	3600	230/460	444TSC	ODP200-36-444TSC	\$17,307.00	219.4	95.0	1654	FC
	1800	230/460	445TC	ODP200-18-445TC	\$18,506.00	224.4	95.8	1733	FC

Premium Efficient | ODP | Close Coupled Pump | C-Face with Feet

Three-Phase | 230/460 Volt

Product Specifications

- 1-50 HP | 3600 and 1800 RPM
- 230/460 Volt, 60 Hz
- 190/380 Volt, 50 Hz
- Open Drip Proof (ODP) Enclosure
- Rolled Steel Frame
- IP23 Protection
- 1.15 SF (1.0 SF at 50 Hz)
- Class F Insulation, Class B Temperature Rise
- C-Face with Feet
- Premium Efficiency
- Inverter Duty, 10:1 CT / 20:1 VT (1.0 SF)
- Spike Resistant Wire, per NEMA MG-1, Part 31
- Suitable for 50 Hz with 1.0 SF
- Exclusive Double Vacuum Pressure Impregnation (VPI) Insulation System
- Double Drilled Feet - Mounting Flexibility
- 254JM/JP and larger are suitable for F1 to F2 conversion



HP	RPM	Voltage	Frame	Model Number	List Price	FL Amps (A)	FL Eff. (%)	Approx. Wt. (lbs.)	Notes
1	1800	230/460	143JM	OCCP1-18-143JM	\$523.36	1.3	85.5	33.1	
	1800	230/460	143JP	OCCP1-18-143JP	\$523.36	1.3	85.5	33.1	
1.5	3600	230/460	143JM	OCCP1.5-36-143JM	\$541.72	1.9	84.0	34	
	3600	230/460	143JP	OCCP1.5-36-143JP	\$541.72	1.9	84.0	34	
	1800	230/460	145JM	OCCP1.5-18-145JM	\$562.20	2.1	86.5	34.2	
	1800	230/460	145JP	OCCP1.5-18-145JP	\$562.20	2.1	86.5	34.2	
2	3600	230/460	145JM	OCCP2-36-145JM	\$588.23	2.5	85.5	35	
	3600	230/460	145JP	OCCP2-36-145JP	\$588.23	2.5	85.5	35	
	1800	230/460	145JM	OCCP2-18-145JM	\$596.62	2.7	86.5	38.6	
	1800	230/460	145JP	OCCP2-18-145JP	\$596.62	2.7	86.5	38.6	
3	3600	230/460	145JM	OCCP3-36-145JM	\$728.43	3.6	85.5	42	
	3600	230/460	145JP	OCCP3-36-145JP	\$728.43	3.6	85.5	42	
	1800	230/460	182JM	OCCP3-18-182JM	\$757.50	3.8	89.5	68.3	
5	1800	230/460	182JP	OCCP3-18-182JP	\$757.50	3.8	89.5	68.3	
	3600	230/460	182JM	OCCP5-36-182JM	\$863.39	5.9	86.5	66	
	3600	230/460	182JP	OCCP5-36-182JP	\$863.39	5.9	86.5	66	
	1800	230/460	184JM	OCCP5-18-184JM	\$861.60	6.2	89.5	96.8	
7.5	1800	230/460	184JP	OCCP5-18-184JP	\$861.60	6.2	89.5	96.8	
	3600	230/460	184JM	OCCP7.5-36-184JM	\$1,345.50	8.6	88.5	99	
	3600	230/460	184JP	OCCP7.5-36-184JP	\$1,345.50	8.6	88.5	99	
	1800	230/460	213JM	OCCP7.5-18-213JM	\$1,362.28	9.4	91.0	140.2	
10	1800	230/460	213JP	OCCP7.5-18-213JP	\$1,362.28	9.4	91.0	140.2	
	3600	230/460	213JM	OCCP10-36-213JM	\$1,560.63	11.8	89.5	143	
	3600	230/460	213JP	OCCP10-36-213JP	\$1,560.63	11.8	89.5	143	
	1800	230/460	215JM	OCCP10-18-215JM	\$1,475.11	12.2	91.7	160.6	
	1800	230/460	215JP	OCCP10-18-215JP	\$1,475.11	12.2	91.7	160.6	
	3600	230/460	215JM	OCCP15-36-215JM	\$1,996.59	16.9	90.2	144	
	3600	230/460	215JP	OCCP15-36-215JP	\$1,996.59	16.9	90.2	144	
	1800	230/460	254JM	OCCP15-18-254JM	\$2,216.90	17.1	93.0	214.9	
15	1800	230/460	254JP	OCCP15-18-254JP	\$2,216.90	17.1	93.0	214.9	
	3600	230/460	254JM	OCCP20-36-254JM	\$2,339.67	22.1	91.0	247	
	3600	230/460	254JP	OCCP20-36-254JP	\$2,339.67	22.1	91.0	247	
	1800	230/460	256JM	OCCP20-18-256JM	\$2,474.31	22.5	93.0	260.1	
	1800	230/460	256JP	OCCP20-18-256JP	\$2,474.31	22.5	93.0	260.1	
	20	1800	230/460	256JM	OCCP20-18-256JM	\$2,474.31	22.5	93.0	260.1

Order codes continued. See next page for product notes.

Section 5: Open Drip Proof (ODP) Motors



Premium Efficient | ODP | Close Coupled Pump | C-Face with Feet (Continued...)

Three-Phase | 230/460 Volt

HP	RPM	Voltage	Frame	Model Number	List Price	FL Amps (A)	FL Eff. (%)	Approx. Wt. (lbs.)	Notes
25	3600	230/460	256JM	OCCP25-36-256JM	\$3,009.52	27.0	91.7	270	
	3600	230/460	256JP	OCCP25-36-256JP	\$3,009.52	27.0	91.7	270	
	1800	230/460	284JM	OCCP25-18-284JM	\$3,211.59	30.0	93.6	305	
	1800	230/460	284JP	OCCP25-18-284JP	\$3,211.59	30.0	93.6	305	
30	3600	230/460	284JM	OCCP30-36-284JM	\$3,191.59	33.2	92.5	330	
	3600	230/460	284JP	OCCP30-36-284JP	\$3,191.59	33.2	92.5	330	
	1800	230/460	286JM	OCCP30-18-286JM	\$3,563.86	35.9	94.1	335	
	1800	230/460	286JP	OCCP30-18-286JP	\$3,563.86	35.9	94.1	335	
40	3600	230/460	286JM	OCCP40-36-286JM	\$4,206.65	45.4	92.4	340	
	3600	230/460	286JP	OCCP40-36-286JP	\$4,206.65	45.4	92.4	340	
	1800	230/460	324JM	OCCP40-18-324JM	\$4,591.56	47.9	94.1	445	
	1800	230/460	324JP	OCCP40-18-324JP	\$4,591.56	47.9	94.1	445	
50	3600	230/460	324JM	OCCP50-36-324JM	\$4,795.82	56.1	93.0	407	
	3600	230/460	324JP	OCCP50-36-324JP	\$4,795.82	56.1	93.0	407	
	1800	230/460	326JM	OCCP50-18-326JM	\$4,873.77	58.8	94.5	475	
	1800	230/460	326JP	OCCP50-18-326JP	\$4,873.77	58.8	94.5	475	

5

Open Drip Proof

General, Severe & Marine Duty Motors from WorldWide Electric



PEWWE - Severe Duty Motors

Reliable, high performance motors well-equipped to power industrial application, including conveyors, pumps, fans, compressors, blowers, hydraulic units, and more.



- 1 to 600 hp | 3600, 1800, 1200, and 900 rpm
- Frame size 143T to 586/7, rigid base or C-Face & feet (TC)
- 230/460 Volts at 60 Hz (1 - 200 hp)
- 460 Volts (250 - 500 hp)
- 1.25 SF (1 - 200 hp)
- 1.15 SF (250 - 500 hp)
- Inverter duty | 10:1 CT / 20:1 VT at 1.0 SF (1 - 400 hp)
- Inverter ready | 3:1 CT / 6:1 VT at 1.0 SF (450 - 500 hp)
- IP55 protection
- Oversized bearings
- Heavy gauge rolled steel fan cover
- Metal clad V-ring seals
- CSA Certified Class 1, Div. 2, Grp A, B, C, D (1 - 500 hp)

Closed-couple Pump Motors

Designed to meet the demands of industrial and commercial centrifugal pump applications requiring JM or JP shafts.



- 1 - 50 hp | 3600 and 1800 rpm
- 143 - 326 Frame Sizes

Severe Duty for Crusher Applications

Our Rock Crusher Motors provide high starting and breakdown torques for high-impact, heavy-duty applications, such as aggregate conveyors and lifts.



- 200 - 600 hp | 1800 and 1200 rpm
- IP55 protection and premium efficiency
- 4140 high tensile strength steel shaft
- FC200 density cast iron frame

Snorkel, Top-Mounted Conduit Design

300 to 500 hp motors in L449 frame sizes are available with field convertible F2 mounting configuration.



Explosion Proof Motors

Totally Enclosed Fan Cooled Explosion Proof (TEXP) enclosure with IP 55 protection for industrial applications with the presence of highly combustible, pervasive materials. Fully tested and certified for explosion proof classification in Class 1 Division 1 Groups C & D and Class 2 Division 1 Groups F & G.



- 1 - 300 hp | 3600, 1800, and 1200 rpm
- 230/460 Volt (1 - 100 hp), 460 Volt (125 - 200 hp)
- Rigid base (T/T/S)
- Premium efficiency (1 - 200 hp)
- Inverter duty, 5:1 CT / 10:1 VT (1 - 200 hp)

LOUIS ALLIS

Severe Duty Motors

Meets IEEE 45, ABS-Type approved, inverter duty motors are rugged enough for wet environments and taxing conditions. They offer a three-year warranty and an impressive list of features.



- Totally Enclosed Fan Cooled (TEFC)
- 1 to 500 hp | 3600, 1800, 1200, and 900 rpm
- Inverter duty, 10:1 CT / 20:1 VT (1.0 SF)
- Design B and NEMA premium efficiency
- Class 1 Div. 2 Groups A,B,C,D (NEC)
- UR, CE, IEEE 45, CC306B



NAE Motors

See Page 76



Premium Efficient | TEFC | Rigid Base
 Three-Phase | 230/460 and 460 Volt

Product Specifications

- 1-600 HP
- 3600, 1800, 1200 and 900 RPM
- 230/460 Volt, 60 Hz
- 460 Volt, 60 Hz (449T-586/7 Frame)
- Totally Enclosed Fan Cooled (TEFC) Enclosure
- IP55 Protection
- 1.25 SF (1-200 HP)
- 1.15 SF (250-500 HP)
- Class F Insulation
- Rigid Base
- Premium Efficiency
- Inverter Duty, 10:1 CT / 20:1 VT at 1.0 SF (1-400 HP)
- Inverter Ready, 3:1 CT / 6:1 VT at 1.0 SF (450-500 HP)
- Class 1, Division 2, Groups A, B, C, D (1-500 HP)
- Suitable for 50 Hz, 200/400V with 1.0 SF (1-200 HP)
- Suitable for 50 Hz, 400V with 1.0 SF (250-400 HP)



HP	RPM	Voltage	Frame	Model Number	List Price	FL Amps (A)	FL Eff. (%)	Approx. Wt. (lbs.)	Notes
1	1800	230/460	143T	PEWWE1-18-143T	\$478.88	1.5	85.5	41	FC
	1200	230/460	145T	PEWWE1-12-145T	\$666.17	1.7	82.5	53	DD FC
	3600	230/460	143T	PEWWE1.5-36-143T	\$576.00	2.0	84.0	46	FC
1.5	1800	230/460	145T	PEWWE1.5-18-145T	\$590.97	2.2	86.5	56	DD FC
	1200	230/460	182T	PEWWE1.5-12-182T	\$761.09	2.4	87.5	92	FC
	3600	230/460	145T	PEWWE2-36-145T	\$640.00	2.6	85.5	51	DD FC
2	1800	230/460	145T	PEWWE2-18-145T	\$626.14	2.9	86.5	59	DD FC
	1200	230/460	184T	PEWWE2-12-184T	\$999.64	3.0	88.5	100	DD FC
	3600	230/460	182T	PEWWE3-36-182T	\$751.00	3.8	86.5	57	FC
3	1800	230/460	182T	PEWWE3-18-182T	\$881.60	4.0	89.5	86	FC
	1200	230/460	213T	PEWWE3-12-213T	\$1,345.77	4.4	89.5	166	FC
	900	230/460	215T	PEWWE3-9-215T	\$2,018.09	4.8	85.5	154	DD FC
5	3600	230/460	184T	PEWWE5-36-184T	\$955.00	6.0	88.5	96	DD
	1800	230/460	184T	PEWWE5-18-184T	\$1,033.03	6.3	89.9	104	DD
	1200	230/460	215T	PEWWE5-12-215T	\$1,669.10	7.0	89.5	179	DD FC
7.5	900	230/460	254T	PEWWE5-9-254T	\$3,121.37	7.3	86.5	219	FC
	3600	230/460	213T	PEWWE7.5-36-213T	\$1,495.00	8.8	89.5	105	FC
	1800	230/460	213T	PEWWE7.5-18-213T	\$1,365.88	9.1	91.7	172	FC
10	1200	230/460	254T	PEWWE7.5-12-254T	\$2,193.47	9.4	91.0	247	FC
	900	230/460	256T	PEWWE7.5-9-256T	\$3,459.84	10.8	86.5	249	DD FC
	3600	230/460	215T	PEWWE10-36-215T	\$1,584.00	11.7	90.2	180	DD FC
15	1800	230/460	215T	PEWWE10-18-215T	\$1,654.66	12.0	91.7	193	DD FC
	1200	230/460	256T	PEWWE10-12-256T	\$2,752.75	12.5	91.0	258	DD FC
	900	230/460	284T	PEWWE10-9-284T	\$4,394.72	13.8	89.5	347	FC
20	3600	230/460	254T	PEWWE15-36-254T	\$2,434.00	17.3	91.0	190	FC
	1800	230/460	254T	PEWWE15-18-254T	\$2,378.12	18.1	92.4	265	FC
	1200	230/460	284T	PEWWE15-12-284T	\$3,456.57	18.7	91.7	366	FC
25	900	230/460	286T	PEWWE15-9-286T	\$5,114.34	20.4	89.5	390	DD FC
	3600	230/460	256T	PEWWE20-36-256T	\$2,451.00	23.1	91.0	297	DD FC
	1800	230/460	256T	PEWWE20-18-256T	\$2,732.43	23.7	93.0	304	DD FC
30	1200	230/460	286T	PEWWE20-12-286T	\$4,311.26	24.6	91.7	419	DD FC
	900	230/460	324T	PEWWE20-9-324T	\$6,076.75	26.3	90.2	501	FC
	3600	230/460	284TS	PEWWE25-36-284TS	\$3,083.00	29.0	91.7	358	FC
35	1800	230/460	284T	PEWWE25-18-284T	\$3,564.24	29.1	93.6	385	FC
	1800	230/460	284TS	PEWWE25-18-284TS	\$3,564.24	29.1	93.6	385	FC
	1200	230/460	324T	PEWWE25-12-324T	\$4,903.34	32.7	93.0	522	FC
40	900	230/460	326T	PEWWE25-9-326T	\$6,854.25	32.9	90.2	552	DD FC

Order codes continued. See next page for product notes.

6

General/Severe Duty

Section 6: General Purpose/Severe Duty Motors | PEWWE



Premium Efficient | TEFC | Rigid Base (Continued...)

Three-Phase | 230/460 and 460 Volt

HP	RPM	Voltage	Frame	Model Number	List Price	FL Amps (A)	FL Eff. (%)	Approx. Wt. (lbs.)	Notes
30	3600	230/460	286T	PEWWE30-36-286T	\$3,629.00	34.4	91.7	394	DD FC
	3600	230/460	286TS	PEWWE30-36-286TS	\$3,629.00	34.4	91.7	394	DD FC
	1800	230/460	286T	PEWWE30-18-286T	\$4,037.63	34.5	93.6	430	DD FC
	1200	230/460	326T	PEWWE30-12-326T	\$5,756.09	38.7	93.0	562	DD FC
	900	230/460	364T	PEWWE30-9-364T	\$10,368.94	40.8	91.7	731	FC
40	3600	230/460	324TS	PEWWE40-36-324TS	\$4,715.00	46.1	92.4	485	FC
	1800	230/460	324T	PEWWE40-18-324T	\$5,131.19	46.3	94.1	531	FC
	1200	230/460	364T	PEWWE40-12-364T	\$7,153.71	49.1	94.1	780	FC
	900	230/460	365T	PEWWE40-9-365T	\$11,454.77	54.5	91.7	796	DD FC
50	3600	230/460	326TS	PEWWE50-36-326TS	\$6,029.00	56.6	93.0	534	DD FC
	1800	230/460	326T	PEWWE50-18-326T	\$5,831.02	57.6	94.5	578	DD FC
	1200	230/460	365T	PEWWE50-12-365T	\$9,380.36	60.7	94.1	844	DD
	900	230/460	404T	PEWWE50-9-404T	\$16,582.65	66.7	92.4	968	R FC
60	3600	230/460	364T	PEWWE60-36-364T	\$7,971.00	70.6	93.6	743	
	3600	230/460	364TS	PEWWE60-36-364TS	\$7,971.00	70.6	93.6	743	
	1800	230/460	364T	PEWWE60-18-364T	\$7,702.51	72.0	95.0	769	
	1800	230/460	364TS	PEWWE60-18-364TS	\$7,702.51	72.0	95.0	769	
	1200	230/460	404T	PEWWE60-12-404T	\$10,371.19	70.8	94.5	1012	R FC
	900	230/460	405T	PEWWE60-9-405T	\$19,321.97	80.0	92.4	1058	R DD FC
75	3600	230/460	365TS	PEWWE75-36-365TS	\$9,955.00	88.3	93.6	787	DD
	3600	230/460	365TS	PEWWE75-36-365TS-IB	\$11,857.00	88.3	93.6	787	IB DD
	1800	230/460	365T	PEWWE75-18-365T	\$9,277.68	88.7	95.4	858	DD
	1200	230/460	405T	PEWWE75-12-405T	\$10,869.61	87.4	94.5	1129	R DD FC
100	900	230/460	444T	PEWWE75-9-444T	\$22,205.07	101	93.6	1325	R FC
	3600	230/460	405TS	PEWWE100-36-405TS	\$13,206.00	111	94.1	1054	DD
	3600	230/460	405TS	PEWWE100-36-405TS-IB	\$15,338.00	111	94.1	1054	DD
	1800	230/460	405T	PEWWE100-18-405T	\$10,999.62	113	95.4	1131	R DD
	1800	230/460	405T	PEWWE100-18-405TBB	\$10,999.62	113	95.4	1131	BB DD
	1800	230/460	405T	PEWWE100-18-405TBB-IB	\$11,819.77	113	95.4	1131	BB IB DD
	1800	230/460	405TS	PEWWE100-18-405TSBB	\$10,999.62	113	95.4	1131	BB DD
	1200	230/460	444T	PEWWE100-12-444T	\$15,729.72	120	95.0	1477	R FC
	1200	230/460	444T	PEWWE100-12-444T-IB	\$17,307.01	120	95.0	1477	IB R DD FC
	900	230/460	445T	PEWWE100-9-445T	\$25,502.52	135	93.6	1546	R DD FC
	125	3600	230/460	444TS	PEWWE125-36-444TS	\$17,251.00	137	95.0	1338
3600		230/460	444TS	PEWWE125-36-444TS-IB	\$19,139.00	137	95.0	1338	IB FC
1800		230/460	444T	PEWWE125-18-444T	\$14,764.32	146	95.4	1429	R FC
1800		230/460	444T	PEWWE125-18-444TBB	\$14,764.32	146	95.4	1429	BB FC
1800		230/460	444T	PEWWE125-18-444TBB-IB	\$17,815.52	146	95.4	1429	BB IB FC
1200		230/460	445T	PEWWE125-12-445T	\$18,327.48	145	95.0	1632	R DD FC
900		230/460	445/7T	PEWWE125-9-445/7T	\$26,449.87	168	94.1	1782	R DD FC
150	3600	230/460	445TS	PEWWE150-36-445TS	\$19,850.00	164	95.0	1517	DD FC
	3600	230/460	445TS	PEWWE150-36-445TS-IB	\$21,880.00	164	95.0	1517	IB DD FC
	1800	230/460	445T	PEWWE150-18-445T	\$16,213.19	172	95.8	1625	R DD FC
	1800	230/460	445T	PEWWE150-18-445T-IB	\$19,571.97	172	95.8	1625	IB R DD FC
	1800	230/460	445T	PEWWE150-18-445TBB	\$16,213.19	172	95.8	1625	BB DD FC
	1200	230/460	445/7T	PEWWE150-12-445/7T	\$23,410.56	179	95.8	2013	R DD FC
	1200	230/460	445/7T	PEWWE150-12-445/7T-IB	\$27,623.24	179	95.8	2013	IB R DD FC
	900	230/460	449T	PEWWE150-9-449T	\$28,957.93	194	94.1	2486	R D ¹² FC

Order codes continued. See next page for product notes.

Section 6: General Purpose/Severe Duty Motors | PEWWE



Premium Efficient | TEFC | Rigid Base (Continued...)

Three-Phase | 230/460 and 460 Volt

HP	RPM	Voltage	Frame	Model Number	List Price	FL Amps (A)	FL Eff. (%)	Approx. Wt. (lbs.)	Notes
200	3600	230/460	445/7TS	PEWWE200-36-445/7TS	\$26,025.00	216	96.2	1797	DD FC
	3600	230/460	445/7TS	PEWWE200-36-445/7TS-IB	\$28,175.00	216	96.2	1797	IB DD FC
	1800	230/460	445/7T	PEWWE200-18-445/7T	\$21,547.79	226	96.2	2033	R DD FC
	1800	230/460	445/7T	PEWWE200-18-445/7T-IB	\$24,960.48	226	96.2	2033	IB R DD FC
	1800	230/460	445/7T	PEWWE200-18-445/7TB	\$21,547.79	226	96.2	2033	BB DD FC
	1800	230/460	445/7T	PEWWE200-18-445/7TB-IB	\$25,257.25	226	96.2	2033	BB IB DD FC
	1200	460	449T	PEWWE200-12-449T	\$27,699.88	236	95.8	2664	R D ¹² FC
	1200	460	449T	PEWWE200-12-449T-IB	\$31,180.73	236	95.8	2664	IB R D ¹² FC
	1200	460	449T	PEWWE200-12-449TB	\$27,699.88	236	95.8	2664	BB D ¹² FC
	1200	460	505Z	PEWWE200-12-505Z	\$38,646.24	225	95.8	2470	R D ⁶
	1200	460	505UZ	PEWWE200-12-505UZ	\$38,646.24	225	95.8	2470	R D ⁶
	900	230/460	449T	PEWWE200-9-449T	\$46,853.25	254	94.5	2971	R D ¹² FC
250	3600	460	449TS	PEWWE250-36-449TS	\$30,069.00	269	95.8	2200	D ¹² FC
	3600	460	449TS	PEWWE250-36-449TS-IB	\$32,079.00	269	95.8	2200	IB D ¹² FC
	1800	460	449T	PEWWE250-18-449T	\$30,506.18	280	96.2	2508	R D ¹² FC
	1800	460	449T	PEWWE250-18-449T-IB	\$33,732.12	280	96.2	2508	IB R D ¹² FC
	1800	460	449T	PEWWE250-18-449TB	\$30,506.18	280	96.2	2508	BB D ¹² FC
	1800	460	449T	PEWWE250-18-449TB-IB	\$33,732.12	280	96.2	2508	BB IB D ¹² FC
	1800	460	449TS	PEWWE250-18-449TSBB	\$30,506.18	280	96.2	2508	BB D ¹² FC
	1800	460	505Z	PEWWE250-18-505Z	\$31,368.31	280	96.2	2360	R D ⁶
	1800	460	505UZ	PEWWE250-18-505UZ	\$31,368.31	280	96.2	2360	R D ⁶
	1800	460	505UZ	PEWWE250-18-505UZ-IB	\$34,133.28	280	96.2	2360	IB R D ⁶
	1200	460	449T	PEWWE250-12-449T	\$33,395.40	298	95.8	2750	R D ¹² FC
	1200	460	449T	PEWWE250-12-449T-IB	\$36,621.34	298	95.8	2750	IB R D ¹² FC
	1200	460	449T	PEWWE250-12-449TB	\$33,395.40	298	95.8	2750	BB D ¹² FC
	1200	460	586/7	PEWWE250-12-586/7	\$46,869.52	287	95.8	3737	R D ¹² FC
	1200	460	586/7	PEWWE250-12-586/7-IB	\$51,938.85	287	95.8	3737	IB R D ¹² FC
1200	460	586/7UZ	PEWWE250-12-586/7UZ	\$46,869.52	287	95.8	3737	R D ¹² FC	
900	460	586/7	PEWWE250-9-586/7	\$49,750.52	312	95.0	4030	R D ¹² FC	
300	3600	460	L449TS	PEWWE300-36-L449TS-IB	\$37,156.00	319	95.8	2610	IB FC
	1800	460	449T	PEWWE300-18-449T	\$34,171.63	336	96.2	2728	R D ¹² FC
	1800	460	449T	PEWWE300-18-449T-IB	\$37,397.50	336	96.2	2728	IB R D ¹² FC
	1800	460	449T	PEWWE300-18-449TB	\$34,171.63	336	96.2	2728	BB D ¹² FC
	1800	460	449T	PEWWE300-18-449TB-IB	\$37,397.50	336	96.2	2728	BB IB D ¹² FC
	1800	460	449TS	PEWWE300-18-449TSBB	\$34,171.63	336	96.2	2728	BB D ¹² FC
	1800	460	586/7	PEWWE300-18-586/7	\$50,422.60	324	96.2	3873	R D ¹² FC
	1800	460	586/7	PEWWE300-18-586/7-IB	\$55,491.85	324	96.2	3873	IB R D ¹² FC
	1800	460	586/7	PEWWE300-18-586/7BB	\$50,422.60	324	96.2	3873	BB D ¹² FC
	1800	460	586/7UZ	PEWWE300-18-586/7UZ	\$50,422.60	324	96.2	3873	R D ¹² FC
	1200	460	449T	PEWWE300-12-449T	\$37,192.12	353	95.8	2977	R D ¹² FC
	1200	460	449T	PEWWE300-12-449T-IB	\$40,418.00	353	95.8	2977	IB R D ¹² FC
	1200	460	449T	PEWWE300-12-449TB	\$37,192.12	353	95.8	2977	BB D ¹² FC
	1200	460	449T	PEWWE300-12-449TB-IB	\$40,418.00	353	95.8	2977	BB IB D ¹² FC
	1200	460	586/7	PEWWE300-12-586/7	\$53,446.88	341	95.8	4136	R D ¹² FC
1200	460	586/7	PEWWE300-12-586/7-IB	\$58,516.13	341	95.8	4136	IB R D ¹² FC	
1200	460	586/7	PEWWE300-12-586/7BB	\$53,446.88	341	95.8	4136	BB D ¹² FC	
1200	460	586/7UZ	PEWWE300-12-586/7UZ	\$53,446.88	341	95.8	4136	R D ¹² FC	
1200	460	586/7UZ	PEWWE300-12-586/7UZ-IB	\$58,516.13	341	95.8	4136	IB R D ¹² FC	
900	460	586/7	PEWWE300-9-586/7	\$54,888.03	374	95.0	4440	R D ¹² FC	
900	460	586/7	PEWWE300-9-586/7BB	\$54,888.03	374	95.0	4440	BB D ¹² FC	
900	460	586/7UZ	PEWWE300-9-586/7UZ	\$54,888.03	374	95.0	4440	R D ¹² FC	

Order codes continued. See next page for product notes.

6

General/Severe Duty

Section 6: General Purpose/Severe Duty Motors | PEWWE



Premium Efficient | TEFC | Rigid Base (Continued...)

Three-Phase | 230/460 and 460 Volt

HP	RPM	Voltage	Frame	Model Number	List Price	FL Amps (A)	FL Eff. (%)	Approx. Wt. (lbs.)	Notes
350	3600	460	L449TS	PEWWE350-36-L449TS-IB	\$41,698.00	372	95.8	2784	IB FC
	1800	460	449T	PEWWE350-18-449T-IB	\$42,574.13	392	96.2	2870	IB R D ¹² FC
	1800	460	449T	PEWWE350-18-449TBB-IB	\$42,574.13	392	96.2	2870	IB D ¹² FC
	1800	460	586/7	PEWWE350-18-586/7	\$53,640.95	374	96.2	4070	R D ¹² FC
	1800	460	586/7	PEWWE350-18-586/7-IB	\$58,710.28	374	96.2	4070	IB R D ¹² FC
	1800	460	586/7UZ	PEWWE350-18-586/7UZ-IB	\$58,710.28	374	96.2	4070	IB R D ¹² FC
	1200	460	449T	PEWWE350-12-449T	\$45,209.48	407	95.8	2930	R D ¹² FC
	1200	460	449T	PEWWE350-12-449T-IB	\$48,435.06	407	95.8	2930	IB R D ¹² FC
	1200	460	586/7	PEWWE350-12-586/7	\$56,373.30	398	95.8	4145	R D ¹² FC
	1200	460	586/7	PEWWE350-12-586/7-IB	\$61,442.49	398	95.8	4145	IB R D ¹² FC
	1200	460	586/7UZ	PEWWE350-12-586/7UZ	\$56,373.30	398	95.8	4145	R D ¹² FC
400	3600	460	L449TS	PEWWE400-36-L449TS-IB	\$43,306.00	425	95.8	3065	IB FC
	1800	460	L449T	PEWWE400-18-L449TBB-IB	\$42,055.00	428	96.2	3091	BB IB FC
	1800	460	586/7	PEWWE400-18-586/7	\$56,006.54	428	96.2	4374	R D ¹² FC
	1800	460	586/7	PEWWE400-18-586/7-IB	\$61,075.80	428	96.2	4374	IB R D ¹² FC
	1800	460	586/7	PEWWE400-18-586/7BB	\$56,006.54	428	96.2	4374	BB D ¹² FC
	1800	460	586/7	PEWWE400-18-586/7BB-IB	\$61,075.80	428	96.2	4374	BB IB D ¹² FC
	1800	460	586/7UZ	PEWWE400-18-586/7UZ	\$56,006.54	428	96.2	4374	R D ¹² FC
	1800	460	586/7UZ	PEWWE400-18-586/7UZ-IB	\$61,075.80	428	96.2	4374	IB R D ¹² FC
	1200	460	L449T	PEWWE400-12-L449T-IB	\$49,686.00	455	95.8	3408	IB R FC
	1200	460	586/7	PEWWE400-12-586/7	\$58,515.27	449	95.8	4707	R D ¹² FC
	1200	460	586/7	PEWWE400-12-586/7-IB	\$63,584.31	449	95.8	4707	IB R D ¹² FC
	1200	460	586/7	PEWWE400-12-586/7BB	\$58,515.27	449	95.8	4707	BB D ¹² FC
	1200	460	586/7	PEWWE400-12-586/7BB-IB	\$63,584.31	449	95.8	4707	BB IB D ¹² FC
	1200	460	586/7UZ	PEWWE400-12-586/7UZ	\$58,515.27	449	95.8	4707	R D ¹² FC
1200	460	586/7UZ	PEWWE400-12-586/7UZ-IB	\$63,584.31	449	95.8	4707	IB R D ¹² FC	
450	1800	460	L449T	PEWWE450-18-L449TBB-IB	\$45,489.00	478	96.2	3280	BB IB FC
	1800	460	586/7	PEWWE450-18-586/7	\$58,542.81	481	96.2	4500	R D ¹²
	1800	460	586/7	PEWWE450-18-586/7-IB	\$62,229.02	481	96.2	4500	IB R D ¹²
	1200	460	586/7	PEWWE450-12-586/7-IB	\$65,518.98	506	95.8	4850	IB R SF D ¹²
500	1800	460	L449T	PEWWE500-18-L449TBB-IB	\$48,027.00	478	95.8	3408	BB IB FC
	1800	460	586/7	PEWWE500-18-586/7	\$61,806.89	535	96.2	4630	R D ¹²
	1800	460	586/7	PEWWE500-18-586/7-IB	\$66,876.00	535	96.2	4630	IB R D ¹²
	1800	460	586/7	PEWWE500-18-586/7BB	\$61,806.89	535	96.2	4630	BB D ¹²
	1800	460	586/7	PEWWE500-18-586/7BB-IB	\$66,876.00	535	96.2	4630	BB IB D ¹²
	1800	460	586/7UZ	PEWWE500-18-586/7UZ	\$61,806.89	535	96.2	4630	R D ¹²
	1200	460	586/7	PEWWE500-12-586/7	\$62,384.39	562	95.8	4740	R SF D ¹²
	1200	460	586/7	PEWWE500-12-586/7-IB	\$67,453.43	562	95.8	4740	IB R SF D ¹²
	1200	460	586/7UZ	PEWWE500-12-586/7UZ	\$62,384.39	562	95.8	4740	R SF D ¹²
	1200	460	586/7UZ	PEWWE500-12-586/7UZ-IB	\$67,453.43	562	95.8	4740	IB R SF D ¹²
600	1800	460	586/7	PEWWE600-18-586/7BB-IB	\$71,000.00	661*	96.2	4630	BB IB SF D ¹²
	1800	460	586/7UZ	PEWWE600-18-586/7UZ-IB	\$71,000.00	661*	96.2	4630	IB R D ¹²

Notes:
 BB: Ball bearing on drive-end for direct coupled applications
 IB: Insulated opposite drive-end bearing installed
 R: Roller bearing on drive-end for belted applications
 DD: Double drilled feet
 D⁶: Double drilled feet with 6 holes
 D¹²: Double drilled feet with 12 holes
 FC: F1/F2 convertible
 SF: 1.0 SF
 * Estimated FLA

6
General/Severe Duty

Premium Efficient | Rock Crusher Duty | TEFC Enclosure | Rigid Base
 Three-Phase | 230/460 and 460 Volt

Product Specifications

- 200-600 HP
- 1800 and 1200 RPM
- 230/460 Volt (200 HP)
- 460 Volt (250-600 HP)
- Totally Enclosed Fan Cooled (TEFC) Enclosure
- IP55 Protection
- 1.15 SF
- Class F Insulation
- Rigid Base
- 4140 High Tensile Strength Steel Shaft
- Premium Efficiency
- Inverter Duty, 10:1 CT / 20:1 VT at 1.0 SF (200-400 HP)
- Inverter Ready, 3:1 CT / 6:1 VT at 1.0 SF (450-500 HP)
- Please Consult WorldWide Electric for 50 Hz Operation



HP	RPM	Voltage	Frame	Model Number	List Price	FL Amps (A)	FL Eff. (%)	Approx. Wt. (lbs.)	Notes
200	1800	230/460	445/7T	PEWWE200-18-445/7T	\$21,547.79	226	96.2	2033	R DD FC
	1800	230/460	445/7T	PEWWE200-18-445/7T-IB	\$24,960.48	226	96.2	2033	IB R DD FC
	1200	460	449T	PEWWE200-12-449T	\$27,699.88	236	95.8	2664	R D ¹² FC
	1200	460	449T	PEWWE200-12-449T-IB	\$31,180.73	236	95.8	2664	IB R D ¹² FC
	1200	460	505Z	PEWWE200-12-505Z	\$38,646.24	225	95.8	2470	R D ⁶
	1200	460	505UZ	PEWWE200-12-505UZ	\$38,646.24	225	95.8	2470	R D ⁶
250	1800	460	449T	PEWWE250-18-449T	\$30,506.18	280	96.2	2508	R D ¹² FC
	1800	460	449T	PEWWE250-18-449T-IB	\$33,732.12	280	96.2	2508	IB R D ¹² FC
	1800	460	505Z	PEWWE250-18-505Z	\$31,368.31	280	96.2	2360	R D ⁶
	1800	460	505UZ	PEWWE250-18-505UZ	\$31,368.31	280	96.2	2360	R D ⁶
	1800	460	505UZ	PEWWE250-18-505UZ-IB	\$34,133.28	280	96.2	2360	IB R D ⁶
	1200	460	449T	PEWWE250-12-449T	\$33,395.40	298	95.8	2750	R D ¹² FC
	1200	460	449T	PEWWE250-12-449T-IB	\$36,621.34	298	95.8	2750	IB R D ¹² FC
	1200	460	586/7	PEWWE250-12-586/7	\$46,869.52	287	95.8	3737	R D ¹² FC
	1200	460	586/7	PEWWE250-12-586/7-IB	\$51,938.85	287	95.8	3737	IB R D ¹² FC
	1200	460	586/7UZ	PEWWE250-12-586/7UZ	\$46,869.52	287	95.8	3737	R D ¹² FC
300	1800	460	449T	PEWWE300-18-449T	\$34,171.63	336	96.2	2728	R D ¹² FC
	1800	460	449T	PEWWE300-18-449T-IB	\$37,397.50	336	96.2	2728	IB R D ¹² FC
	1800	460	586/7	PEWWE300-18-586/7	\$50,422.60	324	96.2	3873	R D ¹² FC
	1800	460	586/7	PEWWE300-18-586/7-IB	\$55,491.85	324	96.2	3873	IB R D ¹² FC
	1800	460	586/7UZ	PEWWE300-18-586/7UZ	\$50,422.60	324	96.2	3873	R D ¹² FC
300	1200	460	449T	PEWWE300-12-449T	\$37,192.12	353	95.8	2977	R D ¹² FC
	1200	460	449T	PEWWE300-12-449T-IB	\$40,418.00	353	95.8	2977	IB R D ¹² FC
	1200	460	449T	PEWWE300-12-449TBB-IB	\$40,418.00	353	95.8	2977	BB IB D ¹² FC
	1200	460	586/7	PEWWE300-12-586/7	\$53,446.88	341	95.8	4136	R D ¹² FC
	1200	460	586/7	PEWWE300-12-586/7-IB	\$58,516.13	341	95.8	4136	IB R D ¹² FC
	1200	460	586/7UZ	PEWWE300-12-586/7UZ	\$53,446.88	341	95.8	4136	R D ¹² FC
	1200	460	586/7UZ	PEWWE300-12-586/7UZ-IB	\$58,516.13	341	95.8	4136	IB R D ¹² FC
350	1800	460	449T	PEWWE350-18-449T-IB	\$42,574.13	392	96.2	2870	IB R D ¹² FC
	1800	460	586/7	PEWWE350-18-586/7	\$53,640.95	374	96.2	4070	R D ¹² FC
	1800	460	586/7	PEWWE350-18-586/7-IB	\$58,710.28	374	96.2	4070	IB R D ¹² FC
	1800	460	586/7UZ	PEWWE350-18-586/7UZ-IB	\$58,710.28	374	96.2	4070	IB R D ¹² FC
	1200	460	449T	PEWWE350-12-449T	\$45,209.48	407	95.8	2930	R D ¹² FC
	1200	460	449T	PEWWE350-12-449T-IB	\$48,435.06	407	95.8	2930	IB R D ¹² FC
	1200	460	586/7	PEWWE350-12-586/7	\$56,373.30	398	95.8	4145	R D ¹² FC
	1200	460	586/7	PEWWE350-12-586/7-IB	\$61,442.49	398	95.8	4145	IB R D ¹² FC
	1200	460	586/7UZ	PEWWE350-12-586/7UZ	\$56,373.30	398	95.8	4145	R D ¹² FC

Order codes continued. See next page for product notes.

Section 6: General Purpose/Severe Duty Motors | PEWWE



Premium Efficient | Rock Crusher Duty | TEFC Enclosure | Rigid Base (Continued...)

Three-Phase | 230/460 and 460 Volt

HP	RPM	Voltage	Frame	Model Number	List Price	FL Amps (A)	FL Eff. (%)	Approx. Wt. (lbs.)	Notes
400	1800	460	586/7	PEWWE400-18-586/7	\$56,006.54	428.0	96.2	4374	R D ¹² FC
	1800	460	586/7	PEWWE400-18-586/7-IB	\$61,075.80	428.0	96.2	4374	IB R D ¹² FC
	1800	460	586/7UZ	PEWWE400-18-586/7UZ	\$56,006.54	428.0	96.2	4374	R D ¹² FC
	1800	460	586/7UZ	PEWWE400-18-586/7UZ-IB	\$61,075.80	428.0	96.2	4374	IB R D ¹² FC
	1200	460	L449T	PEWWE400-12-L449T-IB	\$49,686.00	455.0	95.8	3408	IB R FC
	1200	460	586/7	PEWWE400-12-586/7	\$58,515.27	449.0	95.8	4707	R D ¹² FC
	1200	460	586/7	PEWWE400-12-586/7-IB	\$63,584.31	449.0	95.8	4707	IB R D ¹² FC
	1200	460	586/7UZ	PEWWE400-12-586/7UZ	\$58,515.27	449.0	95.8	4707	R D ¹² FC
	1200	460	586/7UZ	PEWWE400-12-586/7UZ-IB	\$63,584.31	449.0	95.8	4707	IB R D ¹² FC
450	1800	460	586/7	PEWWE450-18-586/7	\$58,542.81	481.0	96.2	4500	R D ¹²
	1800	460	586/7	PEWWE450-18-586/7-IB	\$62,229.02	481.0	96.2	4500	IB R D ¹²
	1200	460	586/7	PEWWE450-12-586/7-IB	\$65,518.98	506.0	95.8	4850	IB R SF D ¹²
500	1800	460	586/7	PEWWE500-18-586/7	\$61,806.89	535	96.2	4630	R D ¹²
	1800	460	586/7	PEWWE500-18-586/7-IB	\$66,876.00	535	96.2	4630	IB R D ¹²
	1800	460	586/7UZ	PEWWE500-18-586/7UZ	\$61,806.89	535	96.2	4630	R D ¹²
	1200	460	586/7	PEWWE500-12-586/7	\$62,384.39	562	95.8	4740	R SF D ¹²
	1200	460	586/7	PEWWE500-12-586/7-IB	\$67,453.43	562	95.8	4740	IB R SF D ¹²
	1200	460	586/7UZ	PEWWE500-12-586/7UZ	\$62,384.39	562	95.8	4740	R SF D ¹²
	1200	460	586/7UZ	PEWWE500-12-586/7UZ-IB	\$67,453.43	562	95.8	4740	IB R SF D ¹²
600	1800	460	586/7	PEWWE600-18-586/7BB-IB	\$71,000.00	661*	96.2	4630	BB IB SF D ¹²
	1800	460	586/7UZ	PEWWE600-18-586/7UZ-IB	\$71,000.00	661*	96.2	4630	IB R D ¹²

Notes:

BB: Ball bearing on drive-end for direct coupled applications

IB: Insulated opposite drive-end bearing installed

R: Roller bearing on drive-end for belted applications

DD: Double drilled feet

D⁶: Double drilled feet with 6 holes

D¹²: Double drilled feet with 12 holes

FC: F1/F2 convertible

SF: 1.0 SF

* Estimated FLA

Premium Efficient | TEFC | Rigid Base | Accessories
 Bearing Protectors, C Flange and D-Flange Kits

PEWWE Motor C-Flange and D-Flange Kits



Frame Size	C-Flange Kits	
	Model Number	List Price
143T / 145T	PEW140TC (≤ 2016)	\$46.07
	PEW140TCN (≥ 2017)	\$46.07
182T / 184T	PEW180TC (≤ 2016)	\$64.02
	PEW180TCN (≥ 2017)	\$64.02
213T / 215T	PEW210TC	\$89.60
254T / 256T	PEW250TC (≤ 2016)	\$153.64
	PEW250TCN (≥ 2017)	\$153.64
284T / 286T	PEW280TC	\$192.09
324T / 326T	PEW320TC	\$268.92
364T / 365T	PEW360TC (≤ 2016)	\$384.12
	PEW360TCN (≥ 2017)	\$384.12
404T / 405T (2 Pole)	PEW400TC-2	\$570.22
404T / 405T (4/6 Pole)	PEW400TC	\$570.22
444T / 445T (2 Pole)	PEW444/5TC-2	\$603.76
444T / 445T (4/6 Pole)	PEW444/5TC	\$603.76
447T (2 Pole)	PEW447TC-2	\$603.76
447T (4/6 Pole)	PEW447TC	\$603.76
449T	PEW449TC	\$852.38
586/7	PEW580TC	\$1,509.44

Frame Size	D-Flange Kits	
	Model Number	List Price
143T / 145T	PEW140TD (≤ 2016)	\$46.07
	PEW140TDN (≥ 2017)	\$46.07
182T / 184T	PEW180TD (≤ 2016)	\$64.02
	PEW180TDN (≥ 2017)	\$64.02
213T / 215T	PEW210TD	\$89.60
254T / 256T	PEW250TD (≤ 2016)	\$153.64
	PEW250TDN (≥ 2017)	\$153.64
284T / 286T	PEW280TD	\$192.09
324T / 326T	PEW320TD	\$268.92
364T / 365T	PEW360TD (≤ 2016)	\$384.12
	PEW360TDN (≥ 2017)	\$384.12
404T / 405T (2 Pole)	PEW400TD-2	\$570.22
404T / 405T (4/6 Pole)	PEW400TD	\$570.22
444T / 445T (2 Pole)	PEW444/5TD-2	\$603.76
444T / 445T (4/6 Pole)	PEW444/5TD	\$603.76
447T (2 Pole)	PEW447TD-2	\$603.76
447T (4/6 Pole)	PEW447TD	\$603.76
449T	PEW449TD	\$852.38
586/7	PEW580TD	\$1,509.44

6
General/Severe Duty

Helwig Carbon® The Bearing Protector™

Easy to install and include an integral bracket for easy mounting.

- For use on WorldWide Electric Severe Duty Motors *
- Divert current from motor shaft
- Provides lowest resistant path to ground
- Easy to install - Simply remove top two bearing cap bolts
- Includes integral bracket for easy mounting



Frame Size	Model Number	List Price
364T / 365T	SGK-PEWWE-364/5T	\$1,739.14
404T / 405T	SGK-PEWWE-404/5T/TS	\$1,739.14
444T / 445T	SGK-PEWWE-444/5T	\$1,739.14
445/7TS	SGK-PEWWE-445/7TS	\$1,739.14
445/7T	SGK-PEWWE-445/7T	\$1,739.14
449T **	SGK-PEWWE-449T **	\$1,739.14
586/7 / 586/7UZ	SGK-PEWWE-586/7T-UZ	\$1,739.14



Notes:

*Installation of this product will result in loss of Class 1 Division 2 Classification from motor - please contact WorldWide for new motor nameplate at a cost of \$25 net.
 ** Not suitable for use with PEWWE350-18-449T or PEWWE350-12-449T.

Premium Efficient | TEFC | C-Face with Feet
 Three-Phase | 230/460 and 460 Volt

Product Specifications

- 1-300 HP
- 3600, 1800 and 1200 RPM
- 230/460 Volt, 60 Hz
- 460 Volt, 60 Hz (449TC Frame)
- Totally Enclosed Fan Cooled (TEFC) Enclosure
- IP55 Protection
- 1.25 SF (1-200 HP)
- 1.15 SF (250-300 HP)
- Class F Insulation
- C-Face with Feet
- Premium Efficiency
- Inverter Duty, 10:1 CT / 20:1 VT at 1.0 SF
- Class 1, Division 2, Groups A, B, C, D
- Suitable for 50 Hz, 200/400V with 1.0 SF (1-200 HP)
- Suitable for 50 Hz, 400V with 1.0 SF (250-300 HP)



HP	RPM	Voltage	Frame	Model Number	List Price	FL Amps (A)	FL Eff. (%)	Approx. Wt. (lbs.)	Notes
1	1800	230/460	143TC	PEWWE1-18-143TC	\$498.84	1.6	86.3	49	FC
	1200	230/460	145TC	PEWWE1-12-145TC	\$693.91	1.6	82.5	51	DD FC
1.5	3600	230/460	143TC	PEWWE1.5-36-143TC	\$600.00	2.0	85.5	48	FC
	1800	230/460	145TC	PEWWE1.5-18-145TC	\$615.60	2.3	87.3	55	DD FC
2	3600	230/460	145TC	PEWWE2-36-145TC	\$666.67	2.7	86.6	56	DD FC
	1800	230/460	145TC	PEWWE2-18-145TC	\$652.23	3.0	87.3	58	DD FC
3	3600	230/460	145TC	PEWWE3-36-145TC	\$782.29	3.8	87.4	57	DD FC
	3600	230/460	182TC	PEWWE3-36-182TC	\$782.29	3.9	88.0	79	FC
	1800	230/460	182TC	PEWWE3-18-182TC	\$918.33	4.0	90.3	98	FC
	1200	230/460	213TC	PEWWE3-12-213TC	\$1,401.86	4.2	89.5	165	FC
5	3600	230/460	184TC	PEWWE5-36-184TC	\$994.79	6.3	89.0	95	DD
	1800	230/460	184TC	PEWWE5-18-184TC	\$1,076.07	6.7	90.3	115	DD
	1200	230/460	215TC	PEWWE5-12-215TC	\$1,738.63	6.9	89.5	171	DD FC
7.5	3600	230/460	184TC	PEWWE7.5-36-184TC	\$1,557.29	8.8	90.8	105	DD
	3600	230/460	213TC	PEWWE7.5-36-213TC	\$1,557.29	9.2	89.7	176	FC
	1800	230/460	213TC	PEWWE7.5-18-213TC	\$1,422.80	9.3	91.8	158	FC
	1200	230/460	254TC	PEWWE7.5-12-254TC	\$2,284.88	10.4	91.1	251	FC
10	3600	230/460	215TC	PEWWE10-36-215TC	\$1,650.00	12.2	90.3	180	DD FC
	1800	230/460	215TC	PEWWE10-18-215TC	\$1,723.61	12.5	91.8	175	DD FC
	1200	230/460	256TC	PEWWE10-12-256TC	\$2,867.46	13.9	91.0	251	DD FC
15	3600	230/460	215TC	PEWWE15-36-215TC	\$2,535.42	17.3	91.8	190	DD FC
	3600	230/460	254TC	PEWWE15-36-254TC	\$2,535.42	18.2	91.2	276	FC
	1800	230/460	254TC	PEWWE15-18-254TC	\$2,477.22	17.1	92.5	294	FC
	1200	230/460	284TC	PEWWE15-12-284TC	\$3,600.60	20.2	91.7	419	FC
20	3600	230/460	256TC	PEWWE20-36-256TC	\$2,553.13	24.2	91.2	298	DD FC
	1800	230/460	256TC	PEWWE20-18-256TC	\$2,846.29	24.0	93.8	436	DD FC
	1200	230/460	286TC	PEWWE20-12-286TC	\$4,490.91	26.2	91.7	449	DD FC
25	3600	230/460	256TC	PEWWE25-36-256TC	\$3,211.46	28.7	92.1	309	FC
	3600	230/460	256TSC	PEWWE25-36-256TSC	\$3,211.46	28.7	92.1	309	FC
	3600	230/460	284TC	PEWWE25-36-284TC	\$3,211.46	29.3	91.7	358	FC
	3600	230/460	284TCS	PEWWE25-36-284TSC	\$3,211.46	29.4	91.9	350	FC
	1800	230/460	284TC	PEWWE25-18-284TC	\$3,712.74	29.8	93.6	406	FC
	1200	230/460	324TC	PEWWE25-12-324TC	\$5,107.65	32.3	93.0	629	FC

Order codes continued. See next page for product notes.

Section 6: General Purpose/Severe Duty Motors | PEWWE



Premium Efficient | TEFC | C-Face with Feet (Continued...)

Three-Phase | 230/460 and 460 Volt

HP	RPM	Voltage	Frame	Model Number	List Price	FL Amps (A)	FL Eff. (%)	Approx. Wt. (lbs.)	Notes
30	3600	230/460	286TC	PEWWE30-36-286TC	\$3,780.21	34.8	91.7	394	DD FC
	3600	230/460	286TCS	PEWWE30-36-286TSC	\$3,780.21	35.2	91.9	384	DD FC
	1800	230/460	286TC	PEWWE30-18-286TC	\$4,205.87	35.7	93.7	448	DD FC
	1200	230/460	326TC	PEWWE30-12-326TC	\$5,995.92	38.8	93.0	660	DD FC
40	3600	230/460	324TC	PEWWE40-36-324TC	\$4,911.46	46.1	92.4	485	FC
	3600	230/460	324TSC	PEWWE40-36-324TSC	\$4,911.46	46.6	92.7	560	FC
	1800	230/460	324TC	PEWWE40-18-324TC	\$5,344.98	47.4	94.4	684	FC
	1200	230/460	364TC	PEWWE40-12-364TC	\$7,451.79	49.8	94.1	933	FC
50	3600	230/460	326TC	PEWWE50-36-326TC	\$6,280.21	56.6	93.0	534	DD FC
	3600	230/460	326TSC	PEWWE50-36-326TSC	\$6,280.21	57.2	93.2	598	DD FC
	1800	230/460	326TC	PEWWE50-18-326TC	\$6,074.00	60.4	94.5	580	DD FC
	1200	230/460	365TC	PEWWE50-12-365TC	\$9,771.21	62.3	94.1	968	DD
60	3600	230/460	364TSC	PEWWE60-36-364TSC	\$8,303.13	68.3	93.6	710	
	1800	230/460	364TC	PEWWE60-18-364TC	\$8,023.44	68.8	95.1	805	
	1200	230/460	404TC	PEWWE60-12-404TC	\$10,803.32	72.6	94.5	1020	FC
75	3600	230/460	365TCS	PEWWE75-36-365TSC	\$10,369.79	85.3	93.6	849	DD
	1800	230/460	365TC	PEWWE75-18-365TC	\$9,664.27	83.8	95.4	891	DD
	1200	230/460	405TC	PEWWE75-12-405TC	\$11,322.53	90.7	94.5	1180	DD FC
100	3600	230/460	405TSC	PEWWE100-36-405TSC	\$13,756.25	111	94.2	1007	DD
	1800	230/460	405TC	PEWWE100-18-405TC	\$11,457.96	114	95.4	1198	DD
	1800	230/460	405TSC	PEWWE100-18-405TSC	\$11,457.96	114	95.4	1198	DD
125	3600	230/460	444TSC	PEWWE125-36-444TSC	\$17,969.79	137	95.0	1366	FC
	1800	230/460	444TC	PEWWE125-18-444TC	\$15,379.52	143	95.4	1609	FC
150	3600	230/460	445TSC	PEWWE150-36-445TSC	\$20,677.08	165	95.0	1496	DD FC
	1800	230/460	445TC	PEWWE150-18-445TC	\$16,888.74	171	95.8	2062	DD FC
200	1800	230/460	445/7TC	PEWWE200-18-445/7TC	\$22,445.62	227	96.3	2124	DD FC
	1200	460	449TC	PEWWE200-12-449TC	\$28,854.03	232	95.8	2678	DD ¹² FC
250	1800	460	449TC	PEWWE250-18-449TC	\$31,777.26	283	96.2	2498	DD ¹² FC
300	1800	460	449TC	PEWWE300-18-449TC	\$35,595.45	336.0	96.2	2728	DD ¹² FC

Notes:
 DD: Double drilled feet
 D⁶: Double drilled feet with 6 holes
 D¹²: Double drilled feet with 12 holes
 FC: F1/F2 convertible

6
General/Severe Duty

Explosion Proof | TEXP Enclosure | Rigid Base Three-Phase | 230/460 and 460 Volt

Product Specifications

- 1-250 HP
- 3600, 1800 and 1200 RPM
- 230/460 Volt (1-100 HP)
- 460 Volt (125-300 HP)
- Totally Enclosed Fan Cooled Explosion Proof (TEXP) Enclosure - Rigid Base
- IP55 Protection
- 1.15 SF
- Class F Insulation
- Premium Efficiency (1-200 HP)
- High Efficiency (250-300 HP)
- Inverter Duty, 5:1 CT / 10:1 VT (1-200 HP only)
- Normally Closed Winding Thermostats Provided
- UL Listed Class 1, Div. 1, Groups C and D; Class 2, Div. 1, Groups F and G; T3C; Inverter Duty (1-200 HP), 40°C amb. temp. as standard
 - 143T-215T: Class 1, Div. 1, Groups C and D; T3C; Inverter Duty (1-200 HP); 55°C amb. temp.
 - 254T-449T: Class 1, Div. 1, Groups C and D; T2C; Inverter Duty (1-200 HP); 55°C amb. temp.



HP	RPM	Voltage	Frame	Model Number	List Price	FL Amps (A)	FL Eff. (%)	Approx. Wt. (lbs.)	Notes
1	1800	230/460	143T	IXPEWWE1-18-143T	\$985.40	1.4	85.5	62	
	1200	230/460	145T	IXPEWWE1-12-145T	\$1,080.56	1.7	82.5	79	
	3600	230/460	143T	IXPEWWE1.5-36-143T	\$1,001.82	1.9	84.0	73	
1.5	1800	230/460	145T	IXPEWWE1.5-18-145T	\$1,053.21	2.0	86.5	88	
	1200	230/460	182T	IXPEWWE1.5-12-182T	\$1,208.52	2.1	87.5	115	
2	3600	230/460	145T	IXPEWWE2-36-145T	\$1,022.60	2.5	85.5	75	
	1800	230/460	145T	IXPEWWE2-18-145T	\$1,088.21	2.6	86.5	88	
	1200	230/460	184T	IXPEWWE2-12-184T	\$1,361.81	2.8	88.5	130	
3	3600	230/460	182T	IXPEWWE3-36-182T	\$1,303.67	3.5	86.5	115	
	1800	230/460	182T	IXPEWWE3-18-182T	\$1,419.60	3.8	89.5	130	
	1200	230/460	213T	IXPEWWE3-12-213T	\$1,959.88	4.0	89.5	238	
5	3600	230/460	184T	IXPEWWE5-36-184T	\$1,475.88	6.0	88.5	128	
	1800	230/460	184T	IXPEWWE5-18-184T	\$1,434.72	7.0	89.5	183	
	1200	230/460	215T	IXPEWWE5-12-215T	\$2,076.90	7.5	89.5	295	
7.5	3600	230/460	213T	IXPEWWE7.5-36-213T	\$1,935.70	8.3	89.5	253	
	1800	230/460	213T	IXPEWWE7.5-18-213T	\$2,074.72	8.9	91.7	254	
	1200	230/460	254T	IXPEWWE7.5-12-254T	\$2,715.60	12.5	91.0	386	
10	3600	230/460	215T	IXPEWWE10-36-215T	\$2,030.95	11.5	90.2	262	
	1800	230/460	215T	IXPEWWE10-18-215T	\$2,184.08	12.2	91.7	262	
	1200	230/460	256T	IXPEWWE10-12-256T	\$3,171.67	12.5	91.0	384	
15	3600	230/460	254T	IXPEWWE15-36-254T	\$2,610.62	16.5	91.0	401	
	1800	230/460	254T	IXPEWWE15-18-254T	\$2,901.53	17.5	92.4	403	
	1200	230/460	284T	IXPEWWE15-12-284T	\$4,427.22	22.8	91.7	476	
20	3600	230/460	256T	IXPEWWE20-36-256T	\$3,371.81	22.8	91.0	434	
	1800	230/460	256T	IXPEWWE20-18-256T	\$3,289.79	23.0	93.0	428	
	1200	230/460	286T	IXPEWWE20-12-286T	\$4,860.31	23.5	91.7	520	
25	3600	230/460	284TS	IXPEWWE25-36-284TS	\$4,580.33	27.5	91.7	506	
	1800	230/460	284T	IXPEWWE25-18-284T	\$4,250.04	27.5	93.6	558	
	1200	230/460	324T	IXPEWWE25-12-324T	\$5,878.53	29.0	93.0	657	
30	3600	230/460	286TS	IXPEWWE30-36-286TS	\$4,661.27	32.5	91.7	528	
	1800	230/460	286T	IXPEWWE30-18-286T	\$4,698.45	32.5	93.6	580	
	1200	230/460	326T	IXPEWWE30-12-326T	\$6,776.44	34.5	93.0	739	
40	3600	230/460	324TS	IXPEWWE40-36-324TS	\$6,106.01	44.5	92.4	710	
	1800	230/460	324T	IXPEWWE40-18-324T	\$5,884.00	44.5	94.1	734	
	1200	230/460	364T	IXPEWWE40-12-364T	\$11,566.76	46.0	94.1	911	

Order codes continued. See next page for product notes.

Section 6: Explosion Proof Motors



Explosion Proof | TEXP Enclosure | Rigid Base (Continued...)

Three-Phase | 230/460 and 460 Volt

HP	RPM	Voltage	Frame	Model Number	List Price	FL Amps (A)	FL Eff. (%)	Approx. Wt. (lbs.)	Notes
50	3600	230/460	326TS	IXPEWWE50-36-326TS	\$7,198.60	54.0	93.0	743	
	1800	230/460	326T	IXPEWWE50-18-326T	\$7,158.13	55.0	94.5	763	
	1200	230/460	365T	IXPEWWE50-12-365T	\$11,589.73	56.5	94.1	899	
60	3600	230/460	364TS	IXPEWWE60-36-364TS	\$10,923.68	65.5	93.6	860	
	1800	230/460	364T	IXPEWWE60-18-364T	\$11,439.90	66.5	95.0	891	
	1200	230/460	404T	IXPEWWE60-12-404T	\$14,432.20	69.0	94.5	1188	
75	3600	230/460	365TS	IXPEWWE75-36-365TS	\$12,342.18	84.5	93.6	946	
	1800	230/460	365T	IXPEWWE75-18-365T	\$12,167.19	86.5	95.4	957	
	1200	230/460	405T	IXPEWWE75-12-405T	\$15,132.16	84.0	94.5	1349	
100	3600	230/460	405TS	IXPEWWE100-36-405TS	\$14,369.62	109	94.1	1393	
	1800	230/460	405T	IXPEWWE100-18-405TBB	\$15,703.88	110	95.4	1426	BB
	1200	230/460	444/5T	IXPEWWE100-12-444/5T	\$23,249.61	117	95.0	1642	
	1200	230/460	444/5T	IXPEWWE100-12-444/5TBB	\$23,249.61	117	95.0	1642	BB
125	3600	460	444/5TS	IXPEWWE125-36-444/5TS	\$23,074.96	130	95.0	1638	
	1800	460	444/5T	IXPEWWE125-18-444/5TBB	\$22,065.69	133	95.4	1640	BB
150	3600	460	444/5TS	IXPEWWE150-36-444/5TS	\$23,567.99	160	95.0	1830	
	1800	460	444/5T	IXPEWWE150-18-444/5TBB	\$23,829.97	163	95.8	1898	BB
	1200	460	447/9T	IXPEWWE150-12-447/9TBB	\$35,783.10	166	95.8	2174	BB
200	3600	460	444/5TS	IXPEWWE200-36-447/9TS	\$32,550.79	214	95.4	2370	
	1800	460	447/9T	IXPEWWE200-18-447/9TBB	\$32,386.07	217	96.2	2348	BB
	1200	460	447/9T	IXPEWWE200-12-447/9TBB	\$37,157.16	228	95.8	2368	BB
250	1800	460	447/9T	IXPEWWE250-18-447/9TBB	\$36,331.39	275	95.2	2560	BB

Notes:

BB: Ball bearing on drive-end for direct coupled applications

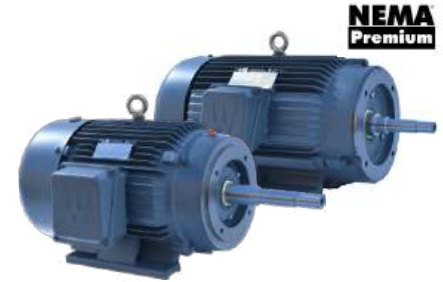
6

Explosion Proof

Premium Efficient | Close-coupled Pump | TEFC Enclosure | C-Face with Feet
Three-Phase | 230/460 Volt

Product Specifications

- 1-50 HP
- 3600 and 1800 RPM
- 230/460 Volt
- Totally Enclosed Fan Cooled (TEFC) Enclosure
- IP55 Protection
- 1.15 SF
- Class F Insulation
- C-Face with Feet
- Premium Efficiency
- Inverter Duty, 10:1 CT / 20:1 VT (1.0 SF)
- Spike Resistant Wire, per NEMA MG-1, Part 31
- Class 1, Division 2, Groups A, B, C, D
- Suitable for 50 Hz, 200/400V with 1.0 SF



HP	RPM	Voltage	Frame	Model Number	List Price	FL Amps (A)	FL Eff. (%)	Approx. Wt. (lbs.)	Notes
1	1800	230/460	143JM	PEWWE1-18-143JM	\$554.02	1.5	85.5	41	
	1800	230/460	143JP	PEWWE1-18-143JP	\$554.02	1.5	85.5	41	
1.5	3600	230/460	143JM	PEWWE1.5-36-143JM	\$601.91	2.0	84.0	46	
	3600	230/460	143JP	PEWWE1.5-36-143JP	\$601.91	2.0	84.0	46	
	1800	230/460	145JM	PEWWE1.5-18-145JM	\$621.00	2.2	86.5	56	
	1800	230/460	145JP	PEWWE1.5-18-145JP	\$621.00	2.2	86.5	56	
2	3600	230/460	145JM	PEWWE2-36-145JM	\$647.68	2.6	85.5	51	
	3600	230/460	145JP	PEWWE2-36-145JP	\$647.68	2.6	85.5	51	
	1800	230/460	145JM	PEWWE2-18-145JM	\$645.73	2.9	86.5	59	
	1800	230/460	145JP	PEWWE2-18-145JP	\$645.73	2.9	86.5	59	
3	3600	230/460	145JM	PEWWE3-36-145JM	\$845.57	3.8	86.5	57	
	3600	230/460	145JP	PEWWE3-36-145JP	\$845.57	3.8	86.5	57	
	3600	230/460	182JM	PEWWE3-36-182JM	\$845.57	3.8	86.5	81	
	3600	230/460	182JP	PEWWE3-36-182JP	\$845.57	3.8	86.5	81	
	1800	230/460	182JM	PEWWE3-18-182JM	\$1,045.63	4.0	89.5	86	
	1800	230/460	182JP	PEWWE3-18-182JP	\$1,045.63	4.0	89.5	86	
5	3600	230/460	184JM	PEWWE5-36-184JM	\$986.86	6.0	88.5	96	
	3600	230/460	184JP	PEWWE5-36-184JP	\$986.86	6.0	88.5	96	
	1800	230/460	184JM	PEWWE5-18-184JM	\$1,116.81	6.3	89.5	104	
	1800	230/460	184JP	PEWWE5-18-184JP	\$1,116.81	6.3	89.5	104	
7.5	3600	230/460	184JM	PEWWE7.5-36-184JM	\$1,703.52	8.8	89.5	105	
	3600	230/460	184JP	PEWWE7.5-36-184JP	\$1,703.52	8.8	89.5	105	
	3600	230/460	213JM	PEWWE7.5-36-213JM	\$1,703.52	9.0	89.5	160	
	3600	230/460	213JP	PEWWE7.5-36-213JP	\$1,703.52	9.0	89.5	160	
	1800	230/460	213JM	PEWWE7.5-18-213JM	\$1,652.31	9.1	91.7	172	
	1800	230/460	213JP	PEWWE7.5-18-213JP	\$1,652.31	9.1	91.7	172	
10	3600	230/460	215JM	PEWWE10-36-215JM	\$1,805.02	11.7	90.2	180	
	3600	230/460	215JP	PEWWE10-36-215JP	\$1,805.02	11.7	90.2	180	
	1800	230/460	215JM	PEWWE10-18-215JM	\$1,808.78	12.0	91.7	193	
	1800	230/460	215JP	PEWWE10-18-215JP	\$1,808.78	12.0	91.7	193	
15	3600	230/460	215JM	PEWWE15-36-215JM	\$2,641.14	17.3	91.0	190	
	3600	230/460	215JP	PEWWE15-36-215JP	\$2,641.14	17.3	91.0	190	
	3600	230/460	254JM	PEWWE15-36-254JM	\$2,641.14	17.5	91.0	261	
	3600	230/460	254JP	PEWWE15-36-254JP	\$2,641.14	17.5	91.0	261	
	1800	230/460	254JM	PEWWE15-18-254JM	\$2,588.07	18.1	92.4	265	
	1800	230/460	254JP	PEWWE15-18-254JP	\$2,588.07	18.1	92.4	265	

Order codes continued. See next page for product notes.

Section 6: General Purpose/Severe Duty Motors | PEWWE



Premium Efficient | Close-coupled Pump | TEFC Enclosure | C-Face with Feet (Continued...)
 Three-Phase | 230/460 Volt

HP	RPM	Voltage	Frame	Model Number	List Price	FL Amps (A)	FL Eff. (%)	Approx. Wt. (lbs.)	Notes
20	3600	230/460	256JM	PEWWE20-36-256JM	\$2,850.56	23.1	91.0	297	
	3600	230/460	256JP	PEWWE20-36-256JP	\$2,850.56	23.1	91.0	297	
	1800	230/460	256JM	PEWWE20-18-256JM	\$2,923.58	23.7	93.0	304	
	1800	230/460	256JP	PEWWE20-18-256JP	\$2,923.58	23.7	93.0	304	
25	3600	230/460	256JM	PEWWE25-36-256JM	\$3,426.10	28.7	91.7	309	
	3600	230/460	256JP	PEWWE25-36-256JP	\$3,426.10	28.7	91.7	309	
	3600	230/460	284JM	PEWWE25-36-284JM	\$3,426.10	29.0	91.7	358	
	3600	230/460	284JP	PEWWE25-36-284JP	\$3,426.10	29.0	91.7	358	
	1800	230/460	284JM	PEWWE25-18-284JM	\$3,635.67	29.1	93.6	385	
	1800	230/460	284JP	PEWWE25-18-284JP	\$3,635.67	29.1	93.6	385	
30	3600	230/460	286JM	PEWWE30-36-286JM	\$3,637.57	34.4	91.7	394	
	3600	230/460	286JP	PEWWE30-36-286JP	\$3,637.57	34.4	91.7	394	
	1800	230/460	286JM	PEWWE30-18-286JM	\$3,911.75	34.5	93.6	430	
	1800	230/460	286JP	PEWWE30-18-286JP	\$3,911.75	34.5	93.6	430	
40	3600	230/460	286JM	PEWWE40-36-286JM	\$4,916.37	45.5	92.4	419	
	3600	230/460	286JP	PEWWE40-36-286JP	\$4,916.37	45.5	92.4	419	
	3600	230/460	324JM	PEWWE40-36-324JM	\$4,916.37	46.1	92.4	485	
	3600	230/460	324JP	PEWWE40-36-324JP	\$4,916.37	46.1	92.4	485	
	1800	230/460	324JM	PEWWE40-18-324JM	\$4,916.37	46.3	94.1	531	
	1800	230/460	324JP	PEWWE40-18-324JP	\$4,916.37	46.3	94.1	531	
50	3600	230/460	326JM	PEWWE50-36-326JM	\$5,784.26	56.6	93.0	534	
	3600	230/460	326JP	PEWWE50-36-326JP	\$5,784.26	56.6	93.0	534	
	1800	230/460	326JM	PEWWE50-18-326JM	\$5,837.59	57.6	94.5	578	
	1800	230/460	326JP	PEWWE50-18-326JP	\$5,837.59	57.6	94.5	578	

6
General/Severe Duty

Premium Efficient | Louis Allis | TEFC | Rigid Base | Meets IEEE 45
 Three-Phase | 230/460 and 460 Volt

Product Specifications

- 1-500 HP
- 3600, 1800, 1200 and 900 RPM
- 60 Hz, 230/460V (1-200 HP)
- 60 Hz, 460V (250-500 HP)
- Totally Enclosed Fan Cooled (TEFC) Enclosure
- IP55 Protection
- 1.25 SF (1-200 HP)
- 1.15 SF (250-500 HP)
- Class F insulation

- Rigid Base
- NEMA Premium Efficiency
- Inverter Duty, 10:1 CT / 20:1 VT (1.0 SF)
- Class 1 Division 2 Groups A,B,C,D
- Double Vacuum Pressure Impregnation (VPI) Treatment
- Heavy Gauge Rolled Steel Fan Cover
- All Frames Double Punched
- Metal Clad V-Ring on DE, Oil Seal on ODE



HP	RPM	Voltage	Frame	Model Number	List Price	FL Amps (A)	FL Eff. (%)	Approx. Wt. (lbs.)	Notes
1	1800	230/460	143T	LAM1-18-143T	\$478.88	1.4	85.5	54	
	1200	230/460	145T	LAM1-12-145T	\$666.17	1.7	82.5	57	
1.5	3600	230/460	143T	LAM1.5-36-143T	\$576.00	1.9	84.0	51	
	1800	230/460	145T	LAM1.5-18-145T	\$590.97	2.1	86.5	55	
	1200	230/460	182T	LAM1.5-12-182T	\$761.09	2.4	87.5	89	
2	3600	230/460	145T	LAM2-36-145T	\$640.00	2.5	85.5	55	
	1800	230/460	145T	LAM2-18-145T	\$626.14	2.7	86.5	58	
	1200	230/460	184T	LAM2-12-184T	\$999.64	3.4	88.5	100	
3	3600	230/460	145T	LAM3-36-145T	\$751.00	3.8	86.5	62	
	3600	230/460	182T	LAM3-36-182T	\$751.00	3.7	86.5	87	
	1800	230/460	182T	LAM3-18-182T	\$881.60	3.8	89.5	95	
	1200	230/460	213T	LAM3-12-213T	\$1,345.77	4.1	89.5	145	
	900	230/460	215T	LAM3-9-215T	\$2,018.09	4.3	85.5	---	
5	3600	230/460	184T	LAM5-36-184T	\$955.00	5.9	88.5	104	
	1800	230/460	184T	LAM5-18-184T	\$1,033.03	6.2	89.5	113	
	1200	230/460	215T	LAM5-12-215T	\$1,669.10	6.7	89.5	196	
	900	230/460	254T	LAM5-9-254T	\$3,121.37	8.1	86.5	---	
7.5	3600	230/460	213T	LAM7.5-36-213T	\$1,495.00	8.6	89.5	180	
	1800	230/460	213T	LAM7.5-18-213T	\$1,365.88	8.9	91.7	147	
	1200	230/460	254T	LAM7.5-12-254T	\$2,193.47	9.7	91.0	273	
	900	230/460	256T	LAM7.5-9-256T	\$3,459.84	11.6	86.5	---	
10	3600	230/460	215T	LAM10-36-215T	\$1,584.00	11.6	90.2	192	
	1800	230/460	215T	LAM10-18-215T	\$1,654.66	11.6	91.7	198	
	1200	230/460	256T	LAM10-12-256T	\$2,752.75	13.0	91.0	311	
	900	230/460	284T	LAM10-9-284T	\$4,394.72	14.3	89.5	---	
15	3600	230/460	254T	LAM15-36-254T	\$2,434.00	16.6	91.0	291	
	1800	230/460	254T	LAM15-18-254T	\$2,378.12	17.3	92.4	304	
	1200	230/460	284T	LAM15-12-284T	\$3,456.57	18.4	91.7	449	
	900	230/460	286T	LAM15-9-286T	\$5,114.34	22.4	89.5	---	
20	3600	230/460	256T	LAM20-36-256T	\$2,451.00	22.3	91.0	320	
	1800	230/460	256T	LAM20-18-256T	\$2,732.43	23.2	93.0	332	
	1200	230/460	286T	LAM20-12-286T	\$4,311.26	26.3	91.7	486	
	900	230/460	324T	LAM20-9-324T	\$6,076.75	32.6	90.2	---	

Order codes continued. See next page for product notes.

Section 6: General Purpose/Severe/Marine-Duty Motors | LAM



Premium Efficient | Louis Allis | TEFC | Rigid Base | Meets IEEE 45 (Continued...)

Three-Phase | 230/460 and 460 Volt

HP	RPM	Voltage	Frame	Model Number	List Price	FL Amps (A)	FL Eff. (%)	Approx. Wt. (lbs.)	Notes
25	3600	230/460	284TS	LAM25-36-284TS	\$3,083.00	28.0	91.7	430	
	1800	230/460	284T	LAM25-18-284T	\$3,564.24	29.8	93.6	420	
	1800	230/460	284TS	LAM25-18-284TS	\$3,564.24	29.8	93.6	420	
	1200	230/460	324T	LAM25-12-324T	\$4,903.34	30.2	93.0	649	
	900	230/460	326T	LAM25-9-326T	\$6,854.25	33.1	90.2	---	
30	3600	230/460	286TS	LAM30-36-286TS	\$3,629.00	33.2	91.7	434	
	1800	230/460	286T	LAM30-18-286T	\$4,037.63	35.7	93.6	449	
	1800	230/460	286TS	LAM30-18-286TS	\$4,037.63	35.7	93.6	449	
	1200	230/460	326T	LAM30-12-326T	\$5,756.09	34.6	93.0	688	
	900	230/460	364T	LAM30-9-364T	\$10,368.94	40.2	91.7	---	
40	3600	230/460	324TS	LAM40-36-324TS	\$4,715.00	46.4	92.4	552	
	1800	230/460	324T	LAM40-18-324T	\$5,131.19	47.6	94.1	596	
	1800	230/460	324TS	LAM40-18-324TS	\$5,131.19	47.6	94.1	596	
	1200	230/460	364T	LAM40-12-364T	\$7,153.71	46.2	94.1	825	
	900	230/460	365T	LAM40-9-365T	\$11,454.77	52.8	91.7	---	
50	3600	230/460	326TS	LAM50-36-326TS	\$6,029.00	55.3	93.0	572	
	1800	230/460	326T	LAM50-18-326T	\$5,831.02	58.2	94.5	633	
	1800	230/460	326TS	LAM50-18-326TS	\$5,831.02	58.2	94.5	633	
	1200	230/460	365T	LAM50-12-365T	\$9,380.36	58.3	94.1	1038	
	900	230/460	404T	LAM50-9-404T	\$16,582.65	60.5	92.4	---	R
60	3600	230/460	364TS	LAM60-36-364TS	\$7,971.00	65.7	93.6	790	
	1800	230/460	364T	LAM60-18-364T	\$7,702.51	69.4	95.0	824	
	1800	230/460	364TS	LAM60-18-364TS	\$7,702.51	69.4	95.0	824	
	1200	230/460	404T	LAM60-12-404T	\$10,371.19	70.6	94.5	1126	R
	900	230/460	405T	LAM60-9-405T	\$19,321.97	77.6	92.4	---	R
75	3600	230/460	365TS	LAM75-36-365TS	\$9,955.00	80.8	93.6	949	
	1800	230/460	365T	LAM75-18-365T	\$9,277.68	85.8	95.4	946	
	1800	230/460	365TS	LAM75-18-365TS	\$9,277.68	85.8	95.4	946	
	1200	230/460	405T	LAM75-12-405T	\$10,869.61	83.7	94.5	1212	R
	900	230/460	444T	LAM75-9-444T	\$22,205.07	94.0	93.6	---	R
100	3600	230/460	405TS	LAM100-36-405TS	\$13,206.00	109	94.1	1122	
	1800	230/460	405T	LAM100-18-405T	\$10,999.62	114.9	95.4	1151	R
	1800	230/460	405T	LAM100-18-405TBB	\$10,999.62	114.9	95.4	1151	BB
	1800	230/460	405TS	LAM100-18-405TS	\$10,999.62	114.9	95.4	1151	
	1200	230/460	444T	LAM100-12-444T	\$15,729.72	115	95.0	1353	R
	900	230/460	445T	LAM100-9-445T	\$25,502.52	131.0	93.6	---	R
125	3600	230/460	444TS	LAM125-36-444TS	\$17,251.00	129	95.0	1371	
	1800	230/460	444T	LAM125-18-444T	\$16,254.97	136.6	95.4	1298	R
	1800	230/460	444T	LAM125-18-444TBB	\$16,254.97	136.6	95.4	1298	BB
	1800	230/460	444TS	LAM125-18-444TS	\$16,254.97	136.6	95.4	1298	
	1200	230/460	445T	LAM125-12-445T	\$18,327.48	141	95.0	1488	R
	900	230/460	445/7T	LAM125-9-445/7T	\$26,449.87	152.3	94.1	---	R
	900	230/460	445/7T	LAM125-9-445/7TBB	\$26,449.87	152.3	94.1	---	BB

Order codes continued. See next page for product notes.

6
Severe & Marine Duty

Section 6: General Purpose/Severe/Marine-Duty Motors | LAM



Premium Efficient | Louis Allis | TEFC | Rigid Base | Meets IEEE 45 (Continued...)

Three-Phase | 230/460 and 460 Volt

HP	RPM	Voltage	Frame	Model Number	List Price	FL Amps (A)	FL Eff. (%)	Approx. Wt. (lbs.)	Notes
150	3600	230/460	445TS	LAM150-36-445TS	\$19,850.00	161	95.0	1455	
	1800	230/460	445T	LAM150-18-445T	\$17,248.06	163.7	95.8	1410	R
	1800	230/460	445T	LAM150-18-445TBB	\$17,248.06	163.7	95.8	1410	BB
	1800	230/460	445TS	LAM150-18-445TS	\$17,248.06	163.7	95.8	1410	
	1200	230/460	447T	LAM150-12-447T	\$23,410.56	170	95.8	1975	R
	900	460	449T	LAM150-9-449T	\$28,957.93	189.8	94.1	---	R
200	3600	230/460	447TS	LAM200-36-447TS	\$26,025.00	217	95.4	1907	
	1800	230/460	445/7T	LAM200-18-445/7T	\$22,923.18	221.1	96.2	2203	R
	1800	230/460	445/7T	LAM200-18-445/7TBB	\$22,923.18	221.1	96.2	2203	BB
	1800	230/460	445/7TS	LAM200-18-445/7TS	\$22,923.18	221.1	96.2	2203	
	1200	460	449T	LAM200-12-449T	\$27,699.88	231	95.8	2552	R
	900	460	449T	LAM200-9-449T	\$46,853.25	256.0	94.5	---	R
250	3600	460	449TS	LAM250-36-449TS	\$30,069.00	276	95.8	2368	
	1800	460	449T	LAM250-18-449T	\$31,285.43	271	96.2	2530	R
	1800	460	449T	LAM250-18-449TBB	\$31,285.43	271	96.2	2530	BB
	1200	460	449T	LAM250-12-449T	\$33,395.40	279.1	95.8	2552	R
	1200	460	449T	LAM250-12-449T-IB	\$36,621.34	279.1	95.8	2646	IB R
	1200	460	586/7	LAM250-12-586/7	\$46,869.52	279.1	95.8	2552	R
	900	460	L449T	LAM250-9-L449T	\$50,145.58	315.5	95.0	---	R
	900	460	586/7	LAM250-9-586/7	\$49,750.52	298.6	95.0	---	R
300	3600	460	449TS	LAM300-36-449TS	\$30,536.84	332.3	95.8	2645	
	3600	460	449TS	LAM300-36-449TS-IB	\$37,156.00	332.3	95.8	2645	IB
	1800	460	449T	LAM300-18-449T	\$39,725.98	313.1	96.2	2785	R
	1800	460	449T	LAM300-18-449T-IB	\$39,725.98	313.1	96.2	2785	IB R
	1800	460	449T	LAM300-18-449TBB	\$39,725.98	313.1	96.2	2785	BB
	1800	460	449T	LAM300-18-449TBB-IB	\$39,725.98	313.1	96.2	2785	BB IB
	1800	460	586/7	LAM300-18-586/7	\$52,747.75	338.2	96.2	---	R
	1200	460	449T	LAM300-12-449T	\$37,192.12	336.8	95.8	2765	R
	1200	460	449T	LAM300-12-449T-IB	\$40,418.00	336.8	95.8	2765	IB R
	1200	460	586/7	LAM300-12-586/7	\$53,446.88	333.5	95.8	---	R
	900	460	L449T	LAM300-9-L449T	\$55,140.12	372.2	95.0	---	R
	900	460	586/7	LAM300-9-586/7	\$54,888.03	370.3	95.0	---	R
350	3600	460	449TS	LAM350-36-449TS	\$35,476.37	382.8	95.8	2870	
	3600	460	449TS	LAM350-36-449TS-IB	\$41,698.00	382.8	95.8	2870	IB
	1800	460	L449T	LAM350-18-L449T	\$39,636.19	382.4	96.2	---	R
	1800	460	L449T	LAM350-18-L449TBB	\$39,636.19	382.4	96.2	---	BB
	1800	460	L449T	LAM350-18-L449T-IB	\$45,111.76	382.4	96.2	---	IB R
	1800	460	L449T	LAM350-18-L449TBB-IB	\$45,111.76	382.4	96.2	---	BB IB
	1800	460	586/7	LAM350-18-586/7	\$56,034.51	376.0	96.2	3886	R
	1800	460	586/7UZ	LAM350-18-586/7UZ	\$56,034.51	376.0	96.2	3886	R
	1200	460	L449T	LAM350-12-L449T	\$45,209.48	410.6	95.8	4031	R
	1200	460	L449T	LAM350-12-L449T-F2	\$45,209.48	410.6	95.8	4031	F2 R
	1200	460	L449T	LAM350-12-L449T-IB	\$48,435.06	410.6	95.8	4031	IB R
	1200	460	L449T	LAM350-12-L449T-IB-F2	\$48,435.06	410.6	95.8	4031	IB R F2
	1200	460	586/7	LAM350-12-586/7	\$56,373.30	374.0	95.8	4031	R

Order codes continued. See next page for product notes.

Section 6: General Purpose/Severe/Marine-Duty Motors | LAM



Premium Efficient | Louis Allis | TEFC | Rigid Base | Meets IEEE 45 (Continued...)

Three-Phase | 230/460 and 460 Volt

HP	RPM	Voltage	Frame	Model Number	List Price	FL Amps (A)	FL Eff. (%)	Approx. Wt. (lbs.)	Notes
400	3600	460	L449TS	LAM400-36-L449TS	\$38,705.39	421.3	95.8	---	
	3600	460	L449TS	LAM400-36-L449TS-IB	\$43,306.00	421.3	95.8	---	IB
	3600	460	586/7	LAM400-36-586/7	\$58,094.80	425.3	95.9	3986	
	1800	460	L449T	LAM400-18-L449T	\$45,999.97	433.8	96.2	3444	R
	1800	460	L449T	LAM400-18-L449TBB	\$45,999.97	433.8	96.2	3444	BB
	1800	460	L449T	LAM400-18-L449T-IB	\$52,051.91	433.8	96.2	3444	IB R
	1800	460	L449T	LAM400-18-L449TBB-IB	\$52,051.91	433.8	96.2	3444	BB IB
	1800	460	586/7	LAM400-18-586/7	\$58,757.98	444.6	96.2	4127	R
	1800	460	586/7UZ	LAM400-18-586/7UZ	\$58,757.98	444.6	96.2	4127	R
	1200	460	L449T	LAM400-12-L449T	\$44,584.79	461.5	95.8	3999	R
	1200	460	L449T	LAM400-12-L449T-F2	\$44,584.79	461.5	95.8	3999	F2 R
	1200	460	L449T	LAM400-12-L449T-IB	\$49,686.00	461.5	95.8	3999	IB R
	1200	460	L449T	LAM400-12-L449T-IB-F2	\$49,686.00	461.5	95.8	3999	IB F2 R
	1200	460	586/7	LAM400-12-586/7	\$58,515.28	445.0	95.8	---	R
450	3600	460	L449TS	LAM450-36-L449TS	\$41,059.14	473.7	95.8	---	
	3600	460	L449TS	LAM450-36-L449TS-IB	\$45,811.00	473.7	95.8	---	IB
	3600	460	586/7	LAM450-36-586/7	\$58,094.80	479.5	95.8	---	
	1800	460	L449T	LAM450-18-L449T	\$49,730.30	487.9	96.2	---	R
	1800	460	L449T	LAM450-18-L449TBB	\$49,730.30	487.9	96.2	---	BB
	1800	460	L449T	LAM450-18-L449T-IB	\$56,995.17	487.9	96.2	---	IB R
	1800	460	L449T	LAM450-18-L449TBB-IB	\$56,995.17	487.9	96.2	---	BB IB
	1800	460	586/7	LAM450-18-586/7	\$62,384.75	500.0	96.2	---	R
1200	460	586/7	LAM450-12-586/7	\$60,449.79	509.5	95.8	---	R	
500	3600	460	586/7	LAM500-36-586/7	\$69,491.39	541.5	95.8	---	
	1800	460	L449T	LAM500-18-L449T	\$53,001.35	539.4	96.2	---	R
	1800	460	L449T	LAM500-18-L449TBB	\$53,001.35	539.4	96.2	---	BB
	1800	460	L449T	LAM500-18-L449T-IB	\$59,053.29	539.4	96.2	---	IB R
	1800	460	586/7	LAM500-18-586/7	\$65,945.38	536.1	96.2	4647	R
	1800	460	586/7	LAM500-18-586/7BB	\$65,945.38	536.1	96.2	4647	BB
	1200	460	586/7	LAM500-12-586/7	\$62,384.39	564.1	95.8	---	R
	1200	460	586/7UZ	LAM500-12-586/7UZ	\$62,384.39	564.1	95.8	---	R

Notes:

- BB: Ball bearing on drive-end for direct coupled applications
- IB: Insulated opposite drive-end bearing installed
- R: Roller bearing on drive-end for belted applications
- DD: Double drilled feet
- D⁶: Double drilled feet with 6 holes
- D¹²: Double drilled feet with 12 holes
- FC: F1/F2 convertible
- F2: Factory F2 mount
- SF: 1.0 SF
- * Please consult WWE for correct Model Number

6
Severe & Marine Duty

Premium Efficient | Louis Allis | Accessories
 C-Flange Kits | D-Flange Kits | Cast Iron Fan Cover Kits | Drip Cover Kits

LAM Motor C-Flange Kits



Frame Size	Model Number *	List Price
143T / 145T	LAM140TC	\$62.90
182T / 184T	LAM180TC	\$113.75
213T / 215T	LAM210TC	\$136.27
254T / 256T	LAM250TC	\$282.14
284T / 286T	LAM280TC	\$303.80
324T / 326T	LAM320TC	\$353.65
	LAM320TC-L	\$353.65
364T / 365T	LAM360TC	\$462.50
	LAM360TC-L	\$462.50
404T / 405T	LAM400TC	\$700.55
	LAM400TC-L	\$700.55
444T / 445T	LAM444/5TC	\$865.66
	LAM444/5TC-A	\$865.66
445/7T	LAM445/7TC	\$1,029.43
447T / 449T	LAM447/9TC-L	\$1,029.43
	LAM447/9TC-S	\$1,029.43

LAM Motor D-Flange Kits



Frame Size	Model Number *	List Price
143T / 145T	LAM140TD	\$110.00
182T / 184T	LAM180TD	\$121.00
213T / 215T	LAM210TD	\$126.00
254T / 256T	LAM250TD	\$273.00
284T / 286T	LAM280TD	\$319.00
324T / 326T	LAM320TD-L	\$409.00
364T / 365T	LAM360TD-L	\$719.00
404T / 405T	LAM400TD	\$728.00
444T / 445T	LAM444/5TD	\$745.00
	LAM444/5TD-A	\$745.00
445/7T	LAM445/7TD	\$894.00
447T / 449T	LAM447/9TD-L	\$894.00
586/7	LAM586/7D	\$2,075.00

LAM Motor Cast Iron Fan Cover Kits



Frame Size	Model Number *	List Price
143T / 145T	LAMCIFCOVER140T	\$247.00
182T / 184T	LAMCIFCOVER180T	\$278.00
213T / 215T	LAMCIFCOVER210T	\$290.00
254T / 256T	LAMCIFCOVER250T	\$402.00
284T / 286T	LAMCIFCOVER280T	\$522.00
324T / 326T	LAMCIFCOVER320T-L	\$1,256.00
364T / 365T	LAMCIFCOVER360T-L	\$1,449.00
404T / 405T	LAMCIFCOVER400T	\$1,449.00
444T / 445T	LAMCIFCOVER444/5T	\$1,758.00
445/7T	LAMCIFCOVER445/7/9T	\$1,951.00
447T / 449T	LAMCIFCOVER445/7/9T	\$1,951.00
586/7	LAMCIFCOVER586/7	\$2,936.00

LAM Motor Drip Cover Kits



Frame Size	Model Number *	List Price
143T / 145T	LAMDC140T	\$34.02
182T / 184T	LAMDC180T	\$36.86
213T / 215T	LAMDC210T	\$46.78
254T / 256T	LAMDC250T	\$62.37
284T / 286T	LAMDC280T	\$85.05
324T / 326T	LAMDC320T	\$127.58
364T / 365T	LAMDC360T	\$161.60
	LAMDC360T-L	\$277.83
404T / 405T	LAMDC400T	\$277.83
	LAMDC400T-L	\$351.54
444T / 445T	LAMDC444/5T	\$351.54
445/7T	LAMDC445/7T	\$562.75
447T / 449T	LAMDC447/9T	\$562.75
	LAMDC447/9T-L	\$562.75
586/7	LAMDC586/7	\$485.00

6
Severe & Marine Duty

Premium Efficient | Louis Allis | TEFC | C-Face with Feet | Meets IEEE 45
 Three-Phase | 230/460 and 460 Volt

Product Specifications

- 1-200 HP
- 3600, 1800, 1200 RPM
- 60 Hz, 230/460V
- Totally Enclosed Fan Cooled (TEFC) Enclosure
- IP55 Protection
- 1.25 SF
- Class F insulation
- C-Face with Feet

- NEMA Premium Efficiency
- Inverter Duty, 10:1 CT / 20:1 VT (1.0 SF)
- Class 1 Division 2 Groups A,B,C,D
- Double Vacuum Pressure Impregnation (VPI) Treatment
- Heavy Gauge Rolled Steel Fan Cover
- All Frames Double Punched
- Metal Clad V-Ring on DE, Oil Seal on ODE



LOUIS ALLIS



HP	RPM	Voltage	Frame	Model Number	List Price	FL Amps (A)	FL Eff. (%)	Approx. Wt. (lbs.)	Notes
1	1800	230/460	143TC	LAM1-18-143TC	\$498.84	1.4	85.5	54	
	1200	230/460	145TC	LAM1-12-145TC	\$693.91	1.7	82.5	57	
	3600	230/460	143TC	LAM1.5-36-143TC	\$629.17	1.9	84.0	51	
1.5	1800	230/460	145TC	LAM1.5-18-145TC	\$615.60	2.1	86.5	55	
	1200	230/460	182TC	LAM1.5-12-182TC	\$792.80	2.4	87.5	89	
2	3600	230/460	145TC	LAM2-36-145TC	\$698.96	2.5	85.5	55	
	1800	230/460	145TC	LAM2-18-145TC	\$652.23	2.7	86.5	58	
	1200	230/460	184TC	LAM2-12-184TC	\$1,041.29	3.4	88.5	100	
3	3600	230/460	145TC	LAM3-36-145TC	\$819.79	3.7	86.5	87	
	3600	230/460	182TC	LAM3-36-182TC	\$819.79	3.8	89.5	95	
	1800	230/460	182TC	LAM3-18-182TC	\$918.33	4.1	89.5	145	
	1200	230/460	213TC	LAM3-12-213TC	\$1,401.86	4.1	89.5	169	
5	3600	230/460	184TC	LAM5-36-184TC	\$1,041.67	5.9	88.5	104	
	1800	230/460	184TC	LAM5-18-184TC	\$1,076.07	6.2	89.5	113	
	1200	230/460	215TC	LAM5-12-215TC	\$1,738.63	6.7	89.5	196	
7.5	3600	230/460	213TC	LAM7.5-36-213TC	\$1,631.25	8.6	89.5	180	
	1800	230/460	213TC	LAM7.5-18-213TC	\$1,422.80	8.9	91.7	147	
	1200	230/460	254TC	LAM7.5-12-254TC	\$2,284.88	9.7	91.0	273	
10	3600	230/460	215TC	LAM10-36-215TC	\$1,724.92	11.6	90.2	192	
	1800	230/460	215TC	LAM10-18-215TC	\$1,723.61	11.6	91.7	198	
	1200	230/460	256TC	LAM10-12-256TC	\$2,867.46	13.0	91.0	311	
15	3600	230/460	254TC	LAM15-36-254TC	\$2,656.25	16.6	91.0	291	
	1800	230/460	254TC	LAM15-18-254TC	\$2,477.22	17.3	92.4	304	
	1200	230/460	284TC	LAM15-12-284TC	\$3,600.60	18.4	91.7	449	
20	3600	230/460	256TC	LAM20-36-256TC	\$2,675.00	22.3	91.0	320	
	1800	230/460	256TC	LAM20-18-256TC	\$2,846.29	23.2	93.0	332	
	1200	230/460	286TC	LAM20-12-286TC	\$4,490.91	26.3	91.7	486	
25	3600	230/460	284TSC	LAM25-36-284TSC	\$3,364.58	28.0	91.7	430	
	1800	230/460	284TC	LAM25-18-284TC	\$3,712.74	29.8	93.6	420	
	1800	230/460	284TSC	LAM25-18-284TSC	\$3,712.74	29.8	93.6	420	
	1200	230/460	324TC	LAM25-12-324TC	\$5,107.65	30.2	93.0	649	

Order codes continued. See next page for product notes.

6
Severe & Marine Duty

Section 6: General Purpose/Severe/Marine-Duty Motors | LAM



Premium Efficient | Louis Allis | TEFC | C-Face with Feet | Meets IEEE 45 (Continued...)

Three-Phase | 230/460 and 460 Volt

HP	RPM	Voltage	Frame	Model Number	List Price	FL Amps (A)	FL Eff. (%)	Approx. Wt. (lbs.)	Notes
30	3600	230/460	286TSC	LAM30-36-286TSC	\$3,959.38	33.2	91.7	434	
	1800	230/460	286TC	LAM30-18-286TC	\$4,205.87	35.7	93.6	449	
	1800	230/460	286TSC	LAM30-18-286TSC	\$4,205.87	35.7	93.6	449	
	1200	230/460	326TC	LAM30-12-326TC	\$5,995.92	34.6	93.0	688	
40	3600	230/460	324TSC	LAM40-36-324TSC	\$5,144.79	46.4	92.4	552	
	1800	230/460	324TC	LAM40-18-324TC	\$5,344.98	47.6	94.1	596	
	1800	230/460	324TSC	LAM40-18-324TSC	\$5,344.98	47.6	94.1	596	
	1200	230/460	364TC	LAM40-12-364TC	\$7,451.79	46.2	94.1	825	
50	3600	230/460	326TSC	LAM50-36-326TSC	\$6,578.13	55.3	93.0	572	
	1800	230/460	326TC	LAM50-18-326TC	\$6,074.00	58.2	94.5	633	
	1800	230/460	326TSC	LAM50-18-326TSC	\$6,074.00	58.2	94.5	633	
	1200	230/460	365TC	LAM50-12-365TC	\$9,771.21	58.3	94.1	1038	
60	3600	230/460	364TSC	LAM60-36-364TSC	\$8,697.92	65.7	93.6	790	
	1800	230/460	364TC	LAM60-18-364TC	\$8,023.44	69.4	95.0	824	
	1800	230/460	364TSC	LAM60-18-364TSC	\$8,023.44	69.4	95.0	824	
	1200	230/460	404TC	LAM60-12-404TC	\$10,803.32	70.6	94.5	1126	
75	3600	230/460	365TSC	LAM75-36-365TSC	\$10,862.50	80.8	93.6	949	
	1800	230/460	365TC	LAM75-18-365TC	\$9,664.27	85.8	95.4	946	
	1800	230/460	365TSC	LAM75-18-365TSC	\$9,664.27	85.8	95.4	946	
	1200	230/460	405TC	LAM75-12-405TC	\$11,322.53	83.7	94.5	1212	
100	3600	230/460	405TSC	LAM100-36-405TSC	\$13,755.93	109	94.1	1122	
	1800	230/460	405TC	LAM100-18-405TC	\$11,457.96	114.9	95.4	1151	
	1800	230/460	405TSC	LAM100-18-405TSC	\$11,457.96	114.9	95.4	1151	
	1200	230/460	444TC	LAM100-12-444TC	\$16,385.13	115	95.0	1353	
125	3600	230/460	444TSC	LAM125-36-444TSC	\$17,969.32	129	95.0	1371	
	1800	230/460	444TC	LAM125-18-444TC	\$16,361.17	136.6	95.4	1298	
	1800	230/460	444TSC	LAM125-18-444TSC	\$16,361.17	136.6	95.4	1298	
	1200	230/460	445TC	LAM125-12-445TC	\$19,497.31	141	95.0	1488	
150	3600	230/460	445TSC	LAM150-36-445TSC	\$20,677.08	161	95.0	1455	
	1800	230/460	445TC	LAM150-18-445TC	\$17,966.73	163.7	95.8	1410	
	1800	230/460	445TSC	LAM150-18-445TSC	\$17,966.73	163.7	95.8	1410	
	1200	230/460	447TC	LAM150-12-447TC	\$24,386.00	170	95.8	1975	
200	3600	230/460	447TSC	LAM200-36-447TSC	\$27,109.38	217	95.4	1907	
	1800	230/460	445/7TC	LAM200-18-445/7TC	\$23,878.30	221.1	96.2	2203	
	1800	230/460	445/7TSC	LAM200-18-445/7TSC	\$23,878.30	221.1	96.2	2203	
	1200	460	449TC	LAM200-12-449TC	\$28,854.03	231	95.8	2552	

6

Severe & Marine Duty

Premium Efficient | Louis Allis | TEFC | C-Face Round Body | Meets IEEE 45
 Three-Phase | 230/460 and 460 Volt

Product Specifications

- 1-250 HP
- 1800 RPM
- 60 Hz, 230/460V (1-200 HP)
- 60 Hz, 460V (250 HP)
- Totally Enclosed Fan Cooled (TEFC) Enclosure
- IP55 Protection
- 1.25 SF (1-200 HP)
- 1.15 SF (250 HP)
- Class F insulation
- C-Face Round Body
- NEMA Premium Efficiency
- Inverter Duty, 10:1 CT / 20:1 VT (1.0 SF)
- Class 1 Division 2 Groups A,B,C,D
- Double Vacuum Pressure Impregnation (VPI) Treatment
- Heavy Gauge Rolled Steel Fan Cover
- Metal Clad V-Ring on DE, Oil Seal on ODE



HP	RPM	Voltage	Frame	Model Number	List Price	FL Amps (A)	FL Eff. (%)	Approx. Wt. (lbs.)	Notes
1	1800	230/460	143TCRD	LAM1-18-143TCRD	\$551.45	1.4	85.5	54	
1.5	1800	230/460	145TCRD	LAM1.5-18-145TCRD	\$634.33	2.1	86.5	55	
2	1800	230/460	145TCRD	LAM2-18-145TCRD	\$680.68	2.7	86.5	58	
3	1800	230/460	182TCRD	LAM3-18-182TCRD	\$970.79	4.1	89.5	145	
5	1800	230/460	184TCRD	LAM5-18-184TCRD	\$1,132.94	6.2	89.5	113	
7.5	1800	230/460	213TCRD	LAM7.5-18-213TCRD	\$1,513.05	8.9	91.7	147	
10	1800	230/460	215TCRD	LAM10-18-215TCRD	\$1,802.83	11.6	91.7	198	
15	3600	230/460	254TCRD	LAM15-36-254TCRD	\$2,656.25	16.6	91.0	301	
	1800	230/460	254TCRD	LAM15-18-254TCRD	\$2,553.94	17.3	92.4	304	
20	1800	230/460	256TCRD	LAM20-18-256TCRD	\$2,959.29	23.2	93.0	332	
25	1800	230/460	284TCRD	LAM25-18-284TCRD	\$3,883.37	29.8	93.6	420	
30	1800	230/460	286TCRD	LAM30-18-286TCRD	\$4,376.93	35.7	93.6	449	
40	1800	230/460	324TCRD	LAM40-18-324TCRD	\$5,428.33	47.6	94.1	596	
50	1800	230/460	326TCRD	LAM50-18-326TCRD	\$6,291.93	58.2	94.5	633	
60	1800	230/460	364TCRD	LAM60-18-364TCRD	\$8,307.56	67.7	95.0	824	
75	1800	230/460	365TCRD	LAM75-18-365TCRD	\$10,072.95	85.7	95.4	946	
100	1800	230/460	405TCRD	LAM100-18-405TCRD	\$12,022.30	113	95.4	1151	
125	1800	230/460	444TCRD	LAM125-18-444TCRD	\$16,915.82	136	95.4	1298	
150	1800	230/460	445TCRD	LAM150-18-445TCRD	\$18,684.59	164	95.8	1410	
200	1800	230/460	447TCRD	LAM200-18-447TCRD	\$24,653.10	221	96.2	2203	
250	1800	460	449TCRD	LAM250-18-449TCRD	\$33,119.00	270.2	96.2	2530	

6
Severe & Marine Duty

Close-coupled Pump Motors from WorldWide Electric

PEWWE - Severe Duty Motors

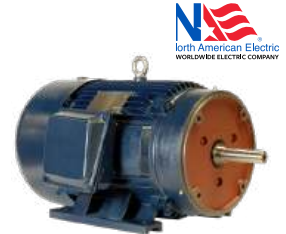
Reliable, high performance motors well-equipped to meet the demands of industrial and commercial centrifugal pump applications requiring JM or JP shafts.



- 1 - 50 hp | 3600 and 1800 rpm
- 230/460 Volts at 60 Hz
- 143 - 326 Frame Sizes
- 1.25 SF
- Premium Efficiency
- Inverter duty | 10:1 CT / 20:1 VT at 1.0 SF
- IP55 protection
- Oversized bearings
- Heavy gauge rolled steel fan cover
- Metal clad V-ring seals
- CSA Certified Class 1, Div. 2, Grp A, B, C, D

NAE - TEFC Motors

North American Electric JM and JP frame motors ideal for commercial or industrial close couple pump applications.



- 1-75 HP | 3600 and 1800 RPM
- 230/460 Volts at 60 Hz
- 1.15 SF, Suitable for 50 Hz with 1.0 SF
- Premium Efficiency
- Inverter Duty, 10:1 CT / 20:1 VT (1.0 SF)
- IP55 Protection
- Class F Insulation
- NEMA MG-1, Table 12-12
- Class 1, Division 2, Groups A, B, C, D T2B; Class II, Div. II, Groups F, G
- F1/F2 Convertible

Open Drip Proof Motors

Three-phase, lightweight, compact IP23 design for pump applications requiring JM or JP shafts where cooler-running, non-enclosed motors are ideal.



- 1-50 HP | 3600 and 1800 RPM
- 230/460 Volt, 60 Hz
- Open Drip Proof (ODP) Enclosure
- Rolled Steel Frame
- IP23 Protection
- 1.15 SF
- Class F Insulation
- C-Face with Feet
- Premium Efficiency
- Inverter Duty, 10:1 VT
- Spike Resistant Wire, per NEMA MG-1, Part 31
- Suitable for 50 Hz with 1.0 SF

Stainless Steel, Wash-down Duty Motors

Three-phase, lightweight, compact IP23 design for pump applications requiring JM or JP shafts where cooler-running, non-enclosed motors are ideal.



- 1-20 HP | 3600 and 1800 RPM
- 230/460 Volt, 60 Hz
- Totally Enclosed Fan Cooled (TEFC) Enclosure
- C-Face with Feet
- Round Welded Junction Box with Epoxy Potted Leads
- 304 Stainless Steel Frame, End Bracket, Junction Box (F1), and Hardware
- IP69K Protection
- 1.15 SF
- BEAG Certified - Formerly BISSC
- Class F Insulation with Class B Temperature Rise
- NEMA Premium Efficiency
- NEMA Design B
- Bi-directional Rotation



Premium Efficient, Close Coupled Pump | TEFC | C-Face with Feet Three-Phase | 230/460 Volt

Product Specifications

- 1-20 HP, 3600 and 1800 RPM
- 230/460 Volt, 60 Hz
- Totally Enclosed Fan Cooled (TEFC) Enclosure
- C-Face with Feet
- Round Welded Junction Box with Epoxy Potted Leads
- 304 Stainless Steel Frame, End Bracket, Junction Box (F1), and Hardware
- Stainless Steel JM Shaft and Key
- IP69K Protection
- BEAG Certified - Formerly BISSC
- Class F Insulation with Class B Temperature Rise
- NEMA Premium Efficiency
- NEMA Design B
- Continuous Duty
- 1.15 SF
- Suitable for 50 Hz , 190/380V, 1.15 SF (Derate in HP)
- Lip Seal on DE and ODE
- Double Sealed Bearings
- Encapsulated Windings
- Inverter Duty - 10:1 Constant Torque (CT) / 20:1 Variable Torque (VT)
- Factory Certified Class 1 Division 2 Groups A, B, C, D - Temperature Code T2B
- Ambient -20°C to +40°C, Altitude up to 3300 Feet Above Sea Level (FASL)
- Bi-directional Rotation



HP	RPM	Voltage	Frame	Model Number	List Price	FL Amps (A)	FL Eff. (%)	Approx. Wt. (lbs.)
1	3600	230/460	143JM	SSPE1-36-143JM	\$1,604.67	1.4	77.0	35
	1800	230/460	143JM	SSPE1-18-143JM	\$1,604.67	1.45	85.5	36
1.5	3600	230/460	143JM	SSPE1.5-36-143JM	\$1,736.48	2.0	84.0	39
	1800	230/460	145JM	SSPE1.5-18-145JM	\$1,775.33	2.0	86.5	42
2	3600	230/460	145JM	SSPE2-36-145JM	\$1,860.68	2.4	85.5	46
	1800	230/460	145JM	SSPE2-18-145JM	\$1,891.80	3.0	86.5	51
3	3600	230/460	145JM	SSPE3-36-145JM	\$2,688.85	3.6	86.5	60
	1800	230/460	145JM	SSPE3-18-145JM	\$2,956.77	4.1	89.5	60
	3600	230/460	182JM	SSPE3-36-182JM	\$3,658.01	4.05	86.5	81
	1800	230/460	182JM	SSPE3-18-182JM	\$3,695.62	4.0	89.5	81
5	3600	230/460	184JM	SSPE5-36-184JM	\$3,958.73	6.1	88.5	95
	1800	230/460	184JM	SSPE5-18-184JM	\$4,071.48	6.25	89.5	100
7.5	3600	230/460	213JM	SSPE7.5-36-213JM	\$5,924.88	9.5	89.5	155
	1800	230/460	213JM	SSPE7.5-18-213JM	\$5,924.88	9.3	91.7	180
10	3600	230/460	215JM	SSPE10-36-215JM	\$6,225.60	12.2	90.2	170
	1800	230/460	215JM	SSPE10-18-215JM	\$6,225.60	12.2	91.7	210
15	3600	230/460	254JM	SSPE15-36-254JM	\$12,091.66	18.5	91.0	363
	1800	230/460	254JM	SSPE15-18-254JM	\$12,091.66	18.5	92.4	370
20	3600	230/460	256JM	SSPE20-36-256JM	\$13,077.08	23.0	91.0	422
	1800	230/460	256JM	SSPE20-18-256JM	\$13,055.29	24.5	93.0	436

7

Close-coupled

Section 7: Close-coupled Pump Motors

Premium Efficient | ODP | Close Coupled Pump | C-Face with Feet Three-Phase | 230/460 Volt

Product Specifications

- 1-50 HP | 3600 and 1800 RPM
- 230/460 Volt, 60 Hz
- 190/380 Volt, 50 Hz
- Open Drip Proof (ODP) Enclosure
- Rolled Steel Frame
- IP23 Protection
- 1.15 SF (1.0 SF at 50 Hz)
- Class F Insulation, Class B Temperature Rise
- C-Face with Feet
- Premium Efficiency
- Inverter Duty, 10:1 CT / 20:1 VT (1.0 SF)
- Spike Resistant Wire, per NEMA MG-1, Part 31
- Suitable for 50 Hz with 1.0 SF
- Exclusive Double Vacuum Pressure Impregnation (VPI) Insulation System
- Double Drilled Feet - Mounting Flexibility
- 254JM/JP and larger are suitable for F1 to F2 conversion



HP	RPM	Voltage	Frame	Model Number	List Price	FL Amps (A)	FL Eff. (%)	Approx. Wt. (lbs.)	Notes
1	1800	230/460	143JM	OCCP1-18-143JM	\$523.36	1.3	85.5	33.1	
	1800	230/460	143JP	OCCP1-18-143JP	\$523.36	1.3	85.5	33.1	
1.5	3600	230/460	143JM	OCCP1.5-36-143JM	\$541.72	1.9	84.0	34	
	3600	230/460	143JP	OCCP1.5-36-143JP	\$541.72	1.9	84.0	34	
	1800	230/460	145JM	OCCP1.5-18-145JM	\$562.20	2.1	86.5	34.2	
	1800	230/460	145JP	OCCP1.5-18-145JP	\$562.20	2.1	86.5	34.2	
2	3600	230/460	145JM	OCCP2-36-145JM	\$588.23	2.5	85.5	35	
	3600	230/460	145JP	OCCP2-36-145JP	\$588.23	2.5	85.5	35	
	1800	230/460	145JM	OCCP2-18-145JM	\$596.62	2.7	86.5	38.6	
	1800	230/460	145JP	OCCP2-18-145JP	\$596.62	2.7	86.5	38.6	
3	3600	230/460	145JM	OCCP3-36-145JM	\$728.43	3.6	85.5	42	
	3600	230/460	145JP	OCCP3-36-145JP	\$728.43	3.6	85.5	42	
	1800	230/460	182JM	OCCP3-18-182JM	\$757.50	3.8	89.5	68.3	
	1800	230/460	182JP	OCCP3-18-182JP	\$757.50	3.8	89.5	68.3	
5	3600	230/460	182JM	OCCP5-36-182JM	\$863.39	5.9	86.5	66	
	3600	230/460	182JP	OCCP5-36-182JP	\$863.39	5.9	86.5	66	
	1800	230/460	184JM	OCCP5-18-184JM	\$861.60	6.2	89.5	96.8	
	1800	230/460	184JP	OCCP5-18-184JP	\$861.60	6.2	89.5	96.8	
7.5	3600	230/460	184JM	OCCP7.5-36-184JM	\$1,345.50	8.6	88.5	99	
	3600	230/460	184JP	OCCP7.5-36-184JP	\$1,345.50	8.6	88.5	99	
	1800	230/460	213JM	OCCP7.5-18-213JM	\$1,362.28	9.4	91.0	140.2	
	1800	230/460	213JP	OCCP7.5-18-213JP	\$1,362.28	9.4	91.0	140.2	
10	3600	230/460	213JM	OCCP10-36-213JM	\$1,560.63	11.8	89.5	143	
	3600	230/460	213JP	OCCP10-36-213JP	\$1,560.63	11.8	89.5	143	
	1800	230/460	215JM	OCCP10-18-215JM	\$1,475.11	12.2	91.7	160.6	
	1800	230/460	215JP	OCCP10-18-215JP	\$1,475.11	12.2	91.7	160.6	
15	3600	230/460	215JM	OCCP15-36-215JM	\$1,996.59	16.9	90.2	144	
	3600	230/460	215JP	OCCP15-36-215JP	\$1,996.59	16.9	90.2	144	
	1800	230/460	254JM	OCCP15-18-254JM	\$2,216.90	17.1	93.0	214.9	
	1800	230/460	254JP	OCCP15-18-254JP	\$2,216.90	17.1	93.0	214.9	
20	3600	230/460	254JM	OCCP20-36-254JM	\$2,339.67	22.1	91.0	247	
	3600	230/460	254JP	OCCP20-36-254JP	\$2,339.67	22.1	91.0	247	
	1800	230/460	256JM	OCCP20-18-256JM	\$2,474.31	22.5	93.0	260.1	
	1800	230/460	256JP	OCCP20-18-256JP	\$2,474.31	22.5	93.0	260.1	

Order codes continued. See next page for product notes.

Section 7: Close-coupled Pump Motors



Premium Efficient | ODP | Close Coupled Pump | C-Face with Feet (Continued...)

Three-Phase | 230/460 Volt

HP	RPM	Voltage	Frame	Model Number	List Price	FL Amps (A)	FL Eff. (%)	Approx. Wt. (lbs.)	Notes
25	3600	230/460	256JM	OCCP25-36-256JM	\$3,009.52	27.0	91.7	270	
	3600	230/460	256JP	OCCP25-36-256JP	\$3,009.52	27.0	91.7	270	
	1800	230/460	284JM	OCCP25-18-284JM	\$3,211.59	30.0	93.6	305	
	1800	230/460	284JP	OCCP25-18-284JP	\$3,211.59	30.0	93.6	305	
30	3600	230/460	284JM	OCCP30-36-284JM	\$3,191.59	33.2	92.5	330	
	3600	230/460	284JP	OCCP30-36-284JP	\$3,191.59	33.2	92.5	330	
	1800	230/460	286JM	OCCP30-18-286JM	\$3,563.86	35.9	94.1	335	
	1800	230/460	286JP	OCCP30-18-286JP	\$3,563.86	35.9	94.1	335	
40	3600	230/460	286JM	OCCP40-36-286JM	\$4,206.65	45.4	92.4	340	
	3600	230/460	286JP	OCCP40-36-286JP	\$4,206.65	45.4	92.4	340	
	1800	230/460	324JM	OCCP40-18-324JM	\$4,591.56	47.9	94.1	445	
	1800	230/460	324JP	OCCP40-18-324JP	\$4,591.56	47.9	94.1	445	
50	3600	230/460	324JM	OCCP50-36-324JM	\$4,795.82	56.1	93.0	407	
	3600	230/460	324JP	OCCP50-36-324JP	\$4,795.82	56.1	93.0	407	
	1800	230/460	326JM	OCCP50-18-326JM	\$4,873.77	58.8	94.5	475	
	1800	230/460	326JP	OCCP50-18-326JP	\$4,873.77	58.8	94.5	475	

7

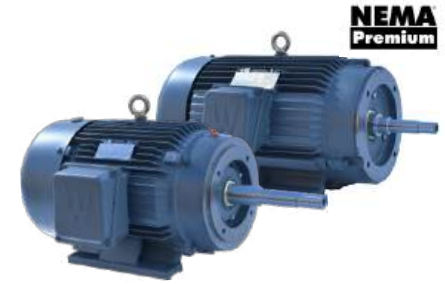
Close-coupled

Section 7: Close-coupled Pump Motors

Premium Efficient | Close-coupled Pump | TEFC Enclosure | C-Face with Feet Three-Phase | 230/460 Volt

Product Specifications

- 1-50 HP
- 3600 and 1800 RPM
- 230/460 Volt
- Totally Enclosed Fan Cooled (TEFC) Enclosure
- IP55 Protection
- 1.15 SF
- Class F Insulation
- C-Face with Feet
- Premium Efficiency
- Inverter Duty, 10:1 CT / 20:1 VT (1.0 SF)
- Spike Resistant Wire, per NEMA MG-1, Part 31
- Class 1, Division 2, Groups A, B, C, D
- Suitable for 50 Hz, 200/400V with 1.0 SF



HP	RPM	Voltage	Frame	Model Number	List Price	FL Amps (A)	FL Eff. (%)	Approx. Wt. (lbs.)	Notes
1	1800	230/460	143JM	PEWWE1-18-143JM	\$554.02	1.5	85.5	41	
	1800	230/460	143JP	PEWWE1-18-143JP	\$554.02	1.5	85.5	41	
1.5	3600	230/460	143JM	PEWWE1.5-36-143JM	\$601.91	2.0	84.0	46	
	3600	230/460	143JP	PEWWE1.5-36-143JP	\$601.91	2.0	84.0	46	
	1800	230/460	145JM	PEWWE1.5-18-145JM	\$621.00	2.2	86.5	56	
	1800	230/460	145JP	PEWWE1.5-18-145JP	\$621.00	2.2	86.5	56	
2	3600	230/460	145JM	PEWWE2-36-145JM	\$647.68	2.6	85.5	51	
	3600	230/460	145JP	PEWWE2-36-145JP	\$647.68	2.6	85.5	51	
	1800	230/460	145JM	PEWWE2-18-145JM	\$645.73	2.9	86.5	59	
	1800	230/460	145JP	PEWWE2-18-145JP	\$645.73	2.9	86.5	59	
3	3600	230/460	145JM	PEWWE3-36-145JM	\$845.57	3.8	86.5	57	
	3600	230/460	145JP	PEWWE3-36-145JP	\$845.57	3.8	86.5	57	
	3600	230/460	182JM	PEWWE3-36-182JM	\$845.57	3.8	86.5	81	
	3600	230/460	182JP	PEWWE3-36-182JP	\$845.57	3.8	86.5	81	
	1800	230/460	182JM	PEWWE3-18-182JM	\$1,045.63	4.0	89.5	86	
	1800	230/460	182JP	PEWWE3-18-182JP	\$1,045.63	4.0	89.5	86	
5	3600	230/460	184JM	PEWWE5-36-184JM	\$986.86	6.0	88.5	96	
	3600	230/460	184JP	PEWWE5-36-184JP	\$986.86	6.0	88.5	96	
	1800	230/460	184JM	PEWWE5-18-184JM	\$1,116.81	6.3	89.5	104	
	1800	230/460	184JP	PEWWE5-18-184JP	\$1,116.81	6.3	89.5	104	
7.5	3600	230/460	184JM	PEWWE7.5-36-184JM	\$1,703.52	8.8	89.5	105	
	3600	230/460	184JP	PEWWE7.5-36-184JP	\$1,703.52	8.8	89.5	105	
	3600	230/460	213JM	PEWWE7.5-36-213JM	\$1,703.52	9.0	89.5	160	
	3600	230/460	213JP	PEWWE7.5-36-213JP	\$1,703.52	9.0	89.5	160	
	1800	230/460	213JM	PEWWE7.5-18-213JM	\$1,652.31	9.1	91.7	172	
	1800	230/460	213JP	PEWWE7.5-18-213JP	\$1,652.31	9.1	91.7	172	
10	3600	230/460	215JM	PEWWE10-36-215JM	\$1,805.02	11.7	90.2	180	
	3600	230/460	215JP	PEWWE10-36-215JP	\$1,805.02	11.7	90.2	180	
	1800	230/460	215JM	PEWWE10-18-215JM	\$1,808.78	12.0	91.7	193	
	1800	230/460	215JP	PEWWE10-18-215JP	\$1,808.78	12.0	91.7	193	
15	3600	230/460	215JM	PEWWE15-36-215JM	\$2,641.14	17.3	91.0	190	
	3600	230/460	215JP	PEWWE15-36-215JP	\$2,641.14	17.3	91.0	190	
	3600	230/460	254JM	PEWWE15-36-254JM	\$2,641.14	17.5	91.0	261	
	3600	230/460	254JP	PEWWE15-36-254JP	\$2,641.14	17.5	91.0	261	
	1800	230/460	254JM	PEWWE15-18-254JM	\$2,588.07	18.1	92.4	265	
	1800	230/460	254JP	PEWWE15-18-254JP	\$2,588.07	18.1	92.4	265	

Section 7: Close-coupled Pump Motors



Premium Efficient | Close-coupled Pump | TEFC Enclosure | C-Face with Feet (Continued...)

Three-Phase | 230/460 Volt

HP	RPM	Voltage	Frame	Model Number	List Price	FL Amps (A)	FL Eff. (%)	Approx. Wt. (lbs.)	Notes
20	3600	230/460	256JM	PEWWE20-36-256JM	\$2,850.56	23.1	91.0	297	
	3600	230/460	256JP	PEWWE20-36-256JP	\$2,850.56	23.1	91.0	297	
	1800	230/460	256JM	PEWWE20-18-256JM	\$2,923.58	23.7	93.0	304	
	1800	230/460	256JP	PEWWE20-18-256JP	\$2,923.58	23.7	93.0	304	
25	3600	230/460	256JM	PEWWE25-36-256JM	\$3,426.10	28.7	91.7	309	
	3600	230/460	256JP	PEWWE25-36-256JP	\$3,426.10	28.7	91.7	309	
	3600	230/460	284JM	PEWWE25-36-284JM	\$3,426.10	29.0	91.7	358	
	3600	230/460	284JP	PEWWE25-36-284JP	\$3,426.10	29.0	91.7	358	
	1800	230/460	284JM	PEWWE25-18-284JM	\$3,635.67	29.1	93.6	385	
	1800	230/460	284JP	PEWWE25-18-284JP	\$3,635.67	29.1	93.6	385	
30	3600	230/460	286JM	PEWWE30-36-286JM	\$3,637.57	34.4	91.7	394	
	3600	230/460	286JP	PEWWE30-36-286JP	\$3,637.57	34.4	91.7	394	
	1800	230/460	286JM	PEWWE30-18-286JM	\$3,911.75	34.5	93.6	430	
	1800	230/460	286JP	PEWWE30-18-286JP	\$3,911.75	34.5	93.6	430	
40	3600	230/460	286JM	PEWWE40-36-286JM	\$4,916.37	45.5	92.4	419	
	3600	230/460	286JP	PEWWE40-36-286JP	\$4,916.37	45.5	92.4	419	
	3600	230/460	324JM	PEWWE40-36-324JM	\$4,916.37	46.1	92.4	485	
	3600	230/460	324JP	PEWWE40-36-324JP	\$4,916.37	46.1	92.4	485	
	1800	230/460	324JM	PEWWE40-18-324JM	\$4,916.37	46.3	94.1	531	
	1800	230/460	324JP	PEWWE40-18-324JP	\$4,916.37	46.3	94.1	531	
50	3600	230/460	326JM	PEWWE50-36-326JM	\$5,784.26	56.6	93.0	534	
	3600	230/460	326JP	PEWWE50-36-326JP	\$5,784.26	56.6	93.0	534	
	1800	230/460	326JM	PEWWE50-18-326JM	\$5,837.59	57.6	94.5	578	
	1800	230/460	326JP	PEWWE50-18-326JP	\$5,837.59	57.6	94.5	578	

7

Close-coupled

Section 7: Close-coupled Pump Motors

Premium Efficient | Close-coupled Pump | TEFC Enclosure | JM Frame Three-Phase | 230/460 Volt



Product Specifications

- 1-75 HP
- 3600 and 1800 RPM
- 230/460 Volt
- Totally Enclosed Fan Cooled (TEFC) Enclosure
- IP55 Protection
- 1.15 SF, Suitable for 50 Hz with 1.0 SF
- Class F Insulation
- Premium Efficiency
- Inverter Duty, 10:1 CT / 20:1 VT (1.0 SF)
- NEMA MG-1, Table 12-12
- Class 1, Division 2, Groups A, B, C, D T2B; Class II, Div. II, Groups F, G
- F1/F2 Convertible



HP	RPM	Volts	Frame	FL Eff. (%)	FL Amps (A)	"C" Dim (in.)	Weight (lbs.)	Model Number	List Price
1	1800	230/460	143JM	85.5	3.2-3/1.5	16.2	45	PE143JM-1-4	\$378.33
1.5	3600	230/460	143JM	84.0	4.4-4/2	16.2	47	PE143JM-1.5-2	\$395.74
	1800	230/460	145JM	86.5	4.7-4.4/2.2	17.2	50	PE145JM-1.5-4	\$421.64
2	3600	230/460	145JM	85.5	5.8-5.3/2.65	17.2	49	PE145JM-2-2	\$436.13
	1800	230/460	145JM	86.5	6.6-6.2/3.1	17.2	49	PE145JM-2-4	\$441.74
3	3600	230/460	145JM	86.5	9-8.2/4.1	17.2	60	PE145JM-3-2	\$553.09
	3600	230/460	182JM	86.5	7.9-7.4/3.7	18.5	89	PE182JM-3-2	\$598.71
	1800	230/460	182JM	89.5	8.2-7.6/3.8	18.5	89	PE182JM-3-4	\$657.54
5	3600	230/460	184JM	88.5	13-11.6/5.8	19.5	108	PE184JM-5-2	\$735.01
	1800	230/460	184JM	89.5	14-13.6/6.8	19.5	96	PE184JM-5-4	\$786.20
7.5	3600	230/460	184JM	89.5	18.8-17.6/8.8	19.5	117	PE184JM-7.5-2	\$921.13
	3600	230/460	213JM	89.5	18.8-17.6/8.8	20.8	156	PE213JM-7.5-2	\$1,070.93
	1800	230/460	213JM	91.7	19.8-18.4/9.2	20.8	162	PE213JM-7.5-4	\$1,171.66
10	3600	230/460	215JM	90.2	23.9-22.8/11.4	22.3	166	PE215JM-10-2	\$1,171.66
	1800	230/460	215JM	91.7	26-24/12	22.3	179	PE215JM-10-4	\$1,303.62
15	3600	230/460	215JM	91.0	37-35/17.5	22.3	175	PE215JM-15-2	\$1,593.77
	3600	230/460	254JM	91.0	36.2-34.4/17.2	24.7	261	PE254JM-15-2	\$1,784.00
	1800	230/460	254JM	92.4	37.2-36.4/18.2	24.7	279	PE254JM-15-4	\$1,986.59
20	3600	230/460	256JM	91.0	48.5-46/23	26.5	288	PE256JM-20-2	\$2,099.07
	1800	230/460	256JM	93.0	51.8-48.4/24.2	26.5	322	PE256JM-20-4	\$2,235.84
25	3600	230/460	256JM	91.7	60-56/28	26.5	326	PE256JM-25-2	\$2,399.91
	3600	230/460	284JM	91.7	61-57/28.5	27.5	369	PE284JM-25-2	\$2,535.05
	1800	230/460	284JM	93.6	65-60/30	27.5	369	PE284JM-25-4	\$2,550.91
30	3600	230/460	286JM	91.7	74-69/34.5	29	401	PE286JM-30-2	\$2,689.81
	1800	230/460	286JM	93.6	76-70.6/35.3	29	429	PE286JM-30-4	\$2,866.27
40	3600	230/460	286JM	92.4	95-89/44.5	29	417	PE286JM-40-2	\$3,221.95
	3600	230/460	324JM	92.4	94.9-91/45.5	30.1	539	PE324JM-40-2	\$3,538.00
	1800	230/460	324JM	94.1	100-93.2/46.6	30.1	535	PE324JM-40-4	\$3,582.45
50	3600	230/460	326JM	93.0	124-116.2/58.1	31.6	568	PE326JM-50-2	\$3,783.41
	1800	230/460	326JM	94.5	124-116.6/58.3	31.6	591	PE326JM-50-4	\$3,899.70
60	3600	230/460	364JM	93.6	146-132/66	33.1	815	PE364JM-60-2	\$4,902.97
	1800	230/460	364JM	95.0	154-139/69.5	32.1	788	PE364JM-60-4	\$5,388.55
75	3600	230/460	365JM	93.6	184-166/83	33.1	853	PE365JM-75-2	\$4,953.30
	1800	230/460	365JM	95.4	193-174/87	33.1	833	PE365JM-75-4	\$5,961.86

Section 7: Close-coupled Pump Motors



Premium Efficient | Close-coupled Pump | TEFC Enclosure | JP Frame
Three-Phase | 230/460 Volt



Product Specifications

- 1-75 HP
- 3600 and 1800 RPM
- 230/460 Volt
- Totally Enclosed Fan Cooled (TEFC) Enclosure
- IP55 Protection
- 1.15 SF, Suitable for 50 Hz with 1.0 SF
- Class F Insulation
- Premium Efficiency
- Inverter Duty, 10:1 CT / 20:1 VT (1.0 SF)
- NEMA MG-1, Table 12-12
- Class 1, Division 2, Groups A, B, C, D T2B; Class II, Div. II, Groups F, G
- F1/F2 Convertible



HP	RPM	Volts	Frame	FL Eff. (%)	FL Amps (A)	"C" Dim (in.)	Weight (lbs.)	Model Number	List Price
1	1800	230/460	143JP	85.5	3.2-3/1.5	19.3	49	PE143JP-1-4	\$378.33
1.5	3600	230/460	143JP	84.0	4.4-4/2	19.3	47	PE143JP-1.5-2	\$395.74
	1800	230/460	145JP	86.5	4.7-4.4/2.2	20.3	53	PE145JP-1.5-4	\$421.64
2	3600	230/460	145JP	85.5	5.8-5.3/2.65	20.3	49	PE145JP-2-2	\$436.13
	1800	230/460	145JP	86.5	6.6-6.2/3.1	20.3	54	PE145JP-2-4	\$441.74
3	3600	230/460	145JP	86.5	9-8.2/4.1	20.3	56	PE145JP-3-2	\$553.09
	3600	230/460	182JP	86.5	7.9-7.4/3.7	21.6	89	PE182JP-3-2	\$598.71
	1800	230/460	182JP	89.5	8.2-7.6/3.8	21.6	90	PE182JP-3-4	\$657.54
5	3600	230/460	184JP	88.5	13-11.6/5.8	22.6	107	PE184JP-5-2	\$735.01
	1800	230/460	184JP	89.5	14-13.6/6.8	22.6	98	PE184JP-5-4	\$786.20
7.5	3600	230/460	184JP	89.5	18.8-17.6/8.8	22.6	119	PE184JP-7.5-2	\$921.13
	3600	230/460	213JP	89.5	18.8-17.6/8.8	24.7	160	PE213JP-7.5-2	\$1,070.93
	1800	230/460	213JP	91.7	19.8-18.4/9.2	24.7	159	PE213JP-7.5-4	\$1,171.66
10	3600	230/460	215JP	90.2	23.9-22.8/11.4	26.2	173	PE215JP-10-2	\$1,171.66
	1800	230/460	215JP	91.7	26-24/12	26.2	186	PE215JP-10-4	\$1,303.62
15	3600	230/460	215JP	91.0	37-35/17.5	26.2	189	PE215JP-15-2	\$1,593.77
	3600	230/460	254JP	91.0	36.2-34.4/17.2	27.6	261	PE254JP-15-2	\$1,784.00
	1800	230/460	254JP	92.4	37.2-36.4/18.2	27.6	281	PE254JP-15-4	\$1,986.59
20	3600	230/460	256JP	91.0	48.5-46/23	29.4	269	PE256JP-20-2	\$2,099.07
	1800	230/460	256JP	93.0	51.8-48.4/24.2	29.4	312	PE256JP-20-4	\$2,235.84
25	3600	230/460	256JP	91.7	60-56/28	29.4	326	PE256JP-25-2	\$2,399.91
	3600	230/460	284JP	91.7	61-57/28.5	30.4	371	PE284JP-25-2	\$2,535.05
	1800	230/460	284JP	93.6	65-60/30	30.4	395	PE284JP-25-4	\$2,550.91
30	3600	230/460	286JP	91.7	74-69/34.5	31.9	412	PE286JP-30-2	\$2,689.81
	1800	230/460	286JP	93.6	76-70.6/35.3	31.9	429	PE286JP-30-4	\$2,866.27
40	3600	230/460	286JP	92.4	95-89/44.5	31.9	425	PE286JP-40-2	\$3,221.95
	3600	230/460	324JP	92.4	94.9-91/45.5	32.9	542	PE324JP-40-2	\$3,538.00
	1800	230/460	324JP	94.1	100-93.2/46.6	32.9	530	PE324JP-40-4	\$3,582.45
50	3600	230/460	326JP	93.0	124-116.2/58.1	34.4	573	PE326JP-50-2	\$3,783.41
	1800	230/460	326JP	94.5	124-116.6/58.3	34.4	600	PE326JP-50-4	\$3,899.70
60	3600	230/460	364JP	93.6	146-132/66	36	818	PE364JP-60-2	\$4,902.97
	1800	230/460	364JP	95.0	154-139/69.5	35	789	PE364JP-60-4	\$5,388.55
75	3600	230/460	365JP	93.6	184-166/83	36	778	PE365JP-75-2	\$4,953.30
	1800	230/460	365JP	95.4	193-174/87	36	836	PE365JP-75-4	\$5,961.86

7

Close-coupled

Vertical Hollow Shaft Motors from WorldWide Electric

NEMA
Premium

For use in standard and high-thrust turbine pump applications, such as pivot systems, deep wells, and groundwater pumping applications. VHS motors offer premium efficiency, corrosion-resistant epoxy paint, epoxy-coated rotor and windings, and a felt end bell seal that protects from pump seal failure.

- 10 - 500 hp | 1800 rpm
- IP23 weather protected enclosure
- Standard coupling size included
- Double thrust bearing (100-500 hp) for deep applications
- Two-year warranty



Section 8: Vertical Hollow Shaft Motors



Vertical Hollow Shaft | WPI Enclosure | Vertical P Base Three-Phase | 230/460 Volt

Product Specifications

- 10 - 500 HP
- 1800 RPM
- 230/460 Volt (10 - 100 HP)
- 460 Volt Only Motors (50 - 500 HP) are Suitable for Part Winding Start (PWS)
- Weather Protected (WPI) Enclosure with Rodent Screens
- IP23 Protection
- 1.15 SF
- Class F Insulation
- Vertical P Base
- Premium Efficiency
- Inverter Duty, 10:1 Variable Torque
- Spike Resistant Wiring per NEMA MG-1 Part 31
- 120 Volt Space Heaters
- Double Thrust Bearing Design (100-500 HP) for Deeper Well Applications
- Winding RTDs (125-500 HP)
- Gray Epoxy Paint for Cooler Surface Temperature
- Standard Coupling Size Included

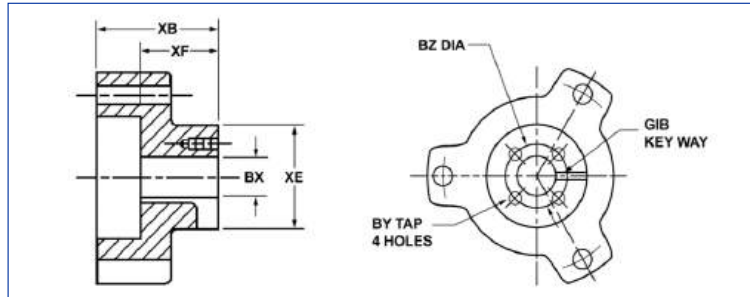


HP	RPM	Voltage	Frame	Base Size	Model Number	List Price	Down Thrust	FL Amps (A)	FL Eff. (%)	Approx. Wt. (lbs.)	Included Coupling
10	1800	230/460	215TP	10	WPEVHS10-18-215TP-10	\$3,181.95	2500	12.2	91.7	366	MC210-1
15	1800	230/460	254TP	10	WPEVHS15-18-254TP-10	\$3,970.83	3200	17.3	93.0	514	MC250-1
20	1800	230/460	256TP	10	WPEVHS20-18-256TP-10	\$4,521.78	3200	23.5	93.0	527	MC250-1
	1800	230/460	256TP	16.5	WPEVHS20-18-256TP-16.5	\$4,521.78	3200	23.5	93.0	527	MC250-1
25	1800	230/460	284TP	12	WPEVHS25-18-284TP-12	\$5,423.38	3200	28.8	93.6	571	MC280-1
30	1800	230/460	286TP	12	WPEVHS30-18-286TP-12	\$5,729.45	3200	34.1	94.1	591	MC280-1
40	1800	230/460	324TP	16.5	WPEVHS40-18-324TP-16.5	\$7,147.21	5500	46.0	94.1	761	MC320-1.25-.25
50	1800	230/460	326TP	16.5	WPEVHS50-18-326TP-16.5	\$7,739.92	5500	56.4	94.5	825	MC320-1.25-.25
	1800	460	326TP	16.5	WPEVHS50-18-460-326TP-16.5	\$7,739.92	5500	56.4	94.5	825	MC320-1.25-.25
60	1800	230/460	364TP	16.5	WPEVHS60-18-364TP-16.5	\$8,827.93	5600	68.3	95.0	983	MC360-1.25-.25
	1800	460	364TP	16.5	WPEVHS60-18-460-364TP-16.5	\$8,827.93	5600	68.3	95.0	983	MC360-1.25-.25
75	1800	230/460	365TP	16.5	WPEVHS75-18-365TP-16.5	\$10,939.95	5600	85.0	95.0	1034	MC360-1.25-.25
	1800	460	365TP	16.5	WPEVHS75-18-460-365TP-16.5	\$10,939.95	5600	85.0	95.0	1034	MC360-1.25-.25
100	1800	230/460	404TP	16.5	WPEVHS100-18-404TP-16.5	\$13,708.68	6700	112	95.4	1455	MC400-1.5
	1800	460	404TP	16.5	WPEVHS100-18-460-404TP-DB-16.5	\$15,090.26	13400	112	95.4	1455	MC400-1.5
125	1800	460	405TP	16.5	WPEVHS125-18-460-405TP-16.5	\$14,832.87	6700	139	95.4	1505	MC400-1.5
	1800	460	405TP	16.5	WPEVHS125-18-460-405TP-DB-16.5	\$16,214.44	13400	139	95.4	1505	MC400-1.5
150	1800	460	444TP	16.5	WPEVHS150-18-460-444TP-DB-16.5	\$19,443.70	14400	165	95.8	1984	MC440-1.6875
200	1800	460	445TP	16.5	WPEVHS200-18-460-445TP-DB-16.5	\$27,052.83	14400	221	95.8	2099	MC440-1.6875
	1800	460	445TP	20	WPEVHS200-18-460-445TP-DB-20	\$27,052.83	14400	221	95.8	2099	MC440-1.6875
250	1800	460	445TP	20	WPEVHS250-18-460-445TP-DB-20	\$28,690.42	14400	276	95.8	2206	MC440-1.6875
300	1800	460	5006P	20	WPEVHS300-18-460-5006P-DB-20	\$47,210.30	24000	328	95.8	3609	MC5006/8P-1.6875
350	1800	460	5006P	20	WPEVHS350-18-460-5006P-DB-20	\$50,785.56	24000	379	95.8	3774	MC5006/8P-1.6875
	1800	460	5006P	24.5	WPEVHS350-18-460-5006P-DB-24.5	\$50,785.56	24000	379	95.8	3774	MC5006/8P-1.6875
400	1800	460	5008P	20	WPEVHS400-18-460-5008P-DB-20	\$58,682.40	24000	437	95.8	4149	MC5006/8P-1.9375
	1800	460	5008P	24.5	WPEVHS400-18-460-5008P-DB-24.5	\$58,682.40	24000	437	95.8	4149	MC5006/8P-1.9375
450	1800	460	5008P	20	WPEVHS450-18-460-5008P-DB-20	\$63,133.56	24000	489	96.2	4266	MC5006/8P-2.1875
	1800	460	5008P	24.5	WPEVHS450-18-460-5008P-DB-24.5	\$63,133.56	24000	489	96.2	4266	MC5006/8P-2.1875
500	1800	460	5008P	20	WPEVHS500-18-460-5008P-DB-20	\$67,326.00	24000	544	96.2	4449	MC5006/8P-2.1875
	1800	460	5008P	24.5	WPEVHS500-18-460-5008P-DB-24.5	\$67,326.00	24000	544	96.2	4449	MC5006/8P-2.1875

Vertical Hollow Shaft

Vertical Hollow Shaft | Accessories
WPEVHS Couplings

* Standard base size included with each motor



Motor Model Number	Coupling Model Number	BX	BY	BZ	XB	XE	XF	SQ (EW)	List Price
WPEVHS10-18-215TP-10	MC210-.75	3/4	10-32	1-3/8	1-3/4	2	1-1/8	3/16	\$151.66
	MC210-.875	7/8	10-32	1-3/8	1-3/4	2	1-1/8	3/16	
	MC210-1 *	1	10-32	1-3/8	1-3/4	2	1-1/8	1/4	
WPEVHS15-18-254TP-10 WPEVHS20-18-256TP-10	MC250-.75	3/4	10-32	1-3/8	2-9/16	2-1/4	1-5/8	3/16	\$180.87
	MC250-.875	7/8	10-32	1-3/8	2-9/16	2-1/4	1-5/8	3/16	
	MC250-1 *	1	10-32	1-3/8	2-9/16	2-1/4	1-5/8	1/4	
	MC250-1.1875	1-3/16	1/4-20	1-3/4	2-9/16	2-1/4	1-5/8	1/4	
	MC250-1.25-.25	1-1/4	1/4-20	1-3/4	2-9/16	2-1/4	1-5/8	1/4	
WPEVHS25-18-284TP-12 WPEVHS30-18-286TP-12	MC250-1.25-.375	1-1/4	1/4-20	1-3/4	2-9/16	2-1/4	1-5/8	3/8	\$180.87
	MC280-.75	3/4	10-32	1-3/8	2-9/16	2-1/4	1-5/8	3/16	
	MC280-.875	7/8	10-32	1-3/8	2-9/16	2-1/4	1-5/8	3/16	
	MC280-1 *	1	10-32	1-3/8	2-9/16	2-1/4	1-5/8	1/4	
WPEVHS40-18-324TP-16.5 WPEVHS50-18-326TP-16.5 WPEVHS50-18-460-326TP-16.5	MC280-1.1875	1-3/16	1/4-20	1-3/4	2-9/16	2-1/4	1-5/8	1/4	\$210.09
	MC280-1.25-.25	1-1/4	1/4-20	1-3/4	2-9/16	2-1/4	1-5/8	1/4	
	MC280-1.25-.375	1-1/4	1/4-20	1-3/4	2-9/16	2-1/4	1-5/8	3/8	
	MC320-1	1	10-32	1-3/8	2-15/16	2-7/8	1-15/16	1/4	
	MC320-1.1875	1-3/16	1/4-20	1-3/4	2-15/16	2-7/8	1-15/16	1/4	
	MC320-1.25 *	1-1/4	1/4-20	1-3/4	2-15/16	2-7/8	1-15/16	1/4	
WPEVHS60-18-364TP-16.5 WPEVHS60-18-460-364TP-16.5 WPEVHS75-18-365TP-16.5 WPEVHS75-18-460-365TP-16.5	MC320-1.25-.375	1-1/4	1/4-20	1-3/4	2-15/16	2-7/8	1-15/16	3/8	\$240.69
	MC320-1.4375	1-7/16	1/4-20	2-1/8	2-15/16	2-7/8	1-15/16	3/8	
	MC320-1.5	1-1/2	1/4-20	2-1/8	2-15/16	2-7/8	1-15/16	3/8	
	MC360-1	1	10-32	1-3/8	2-15/16	2-7/8	1-15/16	1/4	
	MC360-1.1875	1-3/16	1/4-20	1-3/4	2-15/16	2-7/8	1-15/16	1/4	
	MC360-1.25 *	1-1/4	1/4-20	1-3/4	2-15/16	2-7/8	1-15/16	1/4	
WPEVHS100-18-404TP-16.5 WPEVHS100-18-460-404TP-DB-16.5 WPEVHS125-18-460-405TP-16.5 WPEVHS125-18-460-405TP-DB-16.5	MC360-1.4375	1-7/16	1/4-20	2-1/8	2-15/16	2-7/8	1-15/16	3/8	\$360.34
	MC360-1.5	1-1/2	1/4-20	2-1/8	2-15/16	2-7/8	1-15/16	3/8	
	MC400-1.1875	1-3/16	1/4-20	1-3/4	3-13/32	3-1/8	2-13/32	1/4	
	MC400-1.25	1-1/4	1/4-20	1-3/4	3-13/32	3-1/8	2-13/32	1/4	
	MC400-1.25-.375	1-1/4	1/4-20	1-3/4	3-13/32	3-1/8	2-13/32	3/8	
	MC400-1.4375	1-7/16	1/4-20	2-1/8	3-13/32	3-1/8	2-13/32	3/8	
	MC400-1.5 *	1-1/2	1/4-20	2-1/8	3-13/32	3-1/8	2-13/32	3/8	
	MC400-1.5625	1-9/16	1/4-20	2-1/2	3-13/32	3-1/8	2-13/32	3/8	
	MC400-1.6875	1-11/16	1/4-20	2-1/2	3-13/32	3-1/8	2-13/32	3/8	
MC400-1.8125	1-13/16	1/4-20	2-1/2	3-13/32	3-1/8	2-13/32	3/8		
WPEVHS150-18-460-444TP-DB-16.5 WPEVHS200-18-460-445TP-DB-16.5 WPEVHS200-18-460-445TP-DB-20 WPEVHS250-18-460-445TP-DB-20	MC440-1.4375	1-7/16	1/4-20	2-1/8	4.2	3-11/16	2.95	3/8	\$510.60
	MC440-1.5	1-1/2	1/4-20	2-1/8	4.2	3-11/16	2.95	3/8	
	MC440-1.6875 *	1-11/16	1/4-20	2-1/2	4.2	3-11/16	2.95	3/8	
	MC440-1.75	1-3/4	1/4-20	2-1/2	4.2	3-11/16	2.95	3/8	
	MC440-1.9375	1-15/16	1/4-20	2-1/2	4.2	3-11/16	2.95	1/2	
WPEVHS300-18-460-5006P-DB-20 WPEVHS350-18-460-5006P-DB-20 WPEVHS350-18-460-5006P-DB-24.5	MC440-2.1875	2-3/16	3/8-16	2-1/4	4.2	3-11/16	2.95	1/2	\$886.27
	MC5006/8P-1.5	1-1/2	1/4-20	2-1/2	4.37	4-3/4	3.07	3/8	
	MC5006/8P-1.6875 *	1-11/16	1/4-20	2-1/2	4.37	4-3/4	3.07	3/8	
	MC5006/8P-1.75	1-3/4	1/4-20	2-1/2	4.37	4-3/4	3.07	3/8	
WPEVHS400-18-460-5008P-DB-20 WPEVHS400-18-460-5008P-DB-24.5	MC5006/8P-1.8125	1-13/16	1/4-20	2-1/2	4.37	4-3/4	3.07	3/8	\$886.27
	MC5006/8P-1.9375 *	1-15/16	1/4-20	2-1/2	4.37	4-3/4	3.07	1/2	
	MC5006/8P-2.001	2	3/8-16	3-1/4	4.37	4-3/4	3.07	1/4	
	MC5006/8P-2.251	2-1/4	3/8-16	3-1/4	4.37	4-3/4	3.07	1/2	
WPEVHS450-18-460-5008P-DB-20 WPEVHS450-18-460-5008P-DB-24.5 WPEVHS500-18-460-5008P-DB-20 WPEVHS500-18-460-5008P-DB-24.5	MC5006/8P-2.5	2-1/2	3/8-16	3-1/4	4.37	4-3/4	3.07	5/8	\$886.27
	MC5006/8P-2.1875 *	2-3/16	3/8-16	3-1/4	4.37	4-3/4	3.07	1/2	
	MC5006/8P-2.001	2	3/8-16	3-1/4	4.37	4-3/4	3.07	1/4	
	MC5006/8P-2.251	2-1/4	3/8-16	3-1/4	4.37	4-3/4	3.07	1/2	
	MC5006/8P-2.5	2-1/2	3/8-16	3-1/4	4.37	4-3/4	3.07	5/8	

Section 8: Vertical Hollow Shaft Motors



Vertical Hollow Shaft | WPI Enclosure | Vertical P Base Three-Phase | 230/460 Volt

Motor Model Number	Base Model Number	Base Size	List Price
WPEVHS10-18-215TP-10	PEBASE210TP-10 *	10	\$730.43
WPEVHS15-18-254TP-10	PEBASE250TP-10N *	10	\$879.32
	PEBASE250TP-12N	12	
	PEBASE250TP-16.5N	16.5	
WPEVHS20-18-256TP-10	PEBASE250TP-10N *	10	\$879.32
	PEBASE250TP-12N	12	
	PEBASE250TP-16.5N	16.5	
WPEVHS25-18-284TP-12	PEBASE280TP-10N	10	\$879.32
	PEBASE280TP-12N *	12	
	PEBASE280TP-16.5N	16.5	
WPEVHS30-18-286TP-12	PEBASE280TP-10N	10	\$879.32
	PEBASE280TP-12N *	12	
	PEBASE280TP-16.5N	16.5	
WPEVHS40-18-324TP-16.5	PEBASE320TP-12N	12	\$1,259.14
	PEBASE320TP-16.5N *	16.5	
WPEVHS50-18-326TP-16.5	PEBASE320TP-12N	12	\$1,259.14
WPEVHS50-18-460-326TP-16.5	PEBASE320TP-16.5N *	16.5	
WPEVHS60-18-364TP-16.5	PEBASE360TP-12N	12	\$1,542.98
	WPEVHS60-18-460-364TP-16.5	PEBASE360TP-16.5N *	
WPEVHS75-18-365TP-16.5	PEBASE360TP-12N	12	\$1,542.98
	WPEVHS75-18-460-365TP-16.5	PEBASE360TP-16.5N *	
WPEVHS100-18-404TP-16.5	PEBASE400TP-16.5N *	16.5	\$1,786.45
	WPEVHS100-18-460-404TP-DB-16.5	PEBASE400TP-20N	
WPEVHS125-18-460-405TP-16.5	PEBASE400TP-16.5N *	16.5	\$1,786.45
	WPEVHS125-18-460-405TP-DB-16.5	PEBASE400TP-20N	
WPEVHS150-18-460-444TP-DB-16.5	PEBASE444TP/445TP-16.5 *	16.5	\$2,354.10
	PEBASE444TP/445TP-20	20	
WPEVHS200-18-460-445TP-DB-16.5	PEBASE444TP/445TP-16.5 *	16.5	\$2,354.10
	PEBASE444TP/445TP-20	20	
WPEVHS200-18-460-445TP-DB-20	PEBASE444TP/445TP-16.5	16.5	\$2,354.10
	PEBASE444TP/445TP-20 *	20	
WPEVHS250-18-460-445TP-DB-20	PEBASE444TP/445TP-16.5	16.5	\$2,354.10
	PEBASE444TP/445TP-20 *	20	
WPEVHS300-18-460-5006P-DB-20	PEBASE5006P-20 *	20	\$2,693.25
	PEBASE5006P-24.5	24.5	
WPEVHS350-18-460-5006P-DB-20	PEBASE5006P-20 *	20	\$2,693.25
	PEBASE5006P-24.5	24.5	
WPEVHS350-18-460-5006P-DB-24.5	PEBASE5006P-20	20	\$2,693.25
	PEBASE5006P-24.5 *	24.5	
WPEVHS400-18-460-5008P-DB-20	PEBASE5008P-20 *	20	\$2,693.25
	PEBASE5008P-24.5	24.5	
WPEVHS400-18-460-5008P-DB-24.5	PEBASE5008P-20	20	\$2,693.25
	PEBASE5008P-24.5 *	24.5	
WPEVHS450-18-460-5008P-DB-20	PEBASE5008P-20 *	20	\$2,693.25
	PEBASE5008P-24.5	24.5	
WPEVHS450-18-460-5008P-DB-24.5	PEBASE5008P-20	20	\$2,693.25
	PEBASE5008P-24.5 *	24.5	
WPEVHS500-18-460-5008P-DB-20	PEBASE5008P-20 *	20	\$2,693.25
	PEBASE5008P-24.5	24.5	
WPEVHS500-18-460-5008P-DB-24.5	PEBASE5008P-20	20	\$2,693.25
	PEBASE5008P-24.5 *	24.5	

* Standard base size included with each motor

Vertical Hollow Shaft

Oil Well Pump Motors from WorldWide Electric

Designed for maximum run time and harsh environments of oil production. Features include high starting / breakdown torque performance with high slip NEMA Design D and oversized bearings for heavy duty belt drive applications.

Totally Enclosed Fan Cooled (TEFC)

- 3 - 150 hp | 1200 and 900 rpm
- 230, 460, and 796 Volt
- IP55 protection



Oil Well Pump | TEFC | Rigid Base Three-Phase | 230/460/796 Volt

Product Specifications

- 3-150 HP
- 1200 and 900 RPM
- 230/460/796 Volt
- Totally Enclosed Fan Cooled (TEFC) Enclosure
- IP55 Protection
- 1.15 SF
- Class F Insulation
- Rigid Base
- Three Winding Thermostats Provided (One Per Phase)
- NEMA Design D - High Slip 5-8%
- Cast Iron Construction/Steel Fan Cover
- F2 Mount
- Suitable for 50 Hz with 1.0 SF



HP	RPM	Voltage	Frame	Model Number	List Price	FL Amps (A)	FL Eff. (%)	Approx. Wt. (lbs.)	Notes
3	1200	230/460/796	213T	OW3-12-213T	\$1,283.52	4.0	84.9	143	
	1200	230/460/796	213T	IOW3-12-213T	\$1,283.52	4.7	79.0	128	
	900	230/460/796	215T	OW3-9-215T	\$1,634.37	4.9	84.0	153	
5	1200	230/460/796	215T	OW5-12-215T	\$1,519.95	7.5	87.5	158	
	1200	230/460/796	215T	IOW5-12-215T	\$1,519.95	7.5	82.0	146	
	900	230/460/796	254T	OW5-9-254T	\$2,611.33	7.9	85.6	248	
7.5	900	230/460/796	254T	IOW5-9-254T	\$2,611.33	7.9	83.0	214	
	1200	230/460/796	254T	OW7.5-12-254T	\$1,902.84	10.7	85.0	251	
	1200	230/460/796	254T	IOW7.5-12-254T	\$1,902.84	10.3	86.5	232	
10	900	230/460/796	256T	OW7.5-9-256T	\$2,757.43	12.4	87.4	272	
	900	230/460/796	256T	IOW7.5-9-256T	\$2,757.43	11.0	85.0	251	
	1200	230/460/796	256T	OW10-12-256T	\$2,589.57	13.9	86.5	286	
15	1200	230/460/796	256T	IOW10-12-256T	\$2,589.57	13.6	87.0	269	
	900	230/460/796	284T	OW10-9-284T	\$3,752.65	16.7	87.0	410	
	900	230/460/796	284T	IOW10-9-284T	\$3,752.65	15.0	87.0	333	
20	1200	230/460/796	284T	OW15-12-284T	\$3,253.87	19.5	87.7	409	
	1200	230/460/796	284T	IOW15-12-284T	\$3,253.87	19.0	87.0	355	
	900	230/460/796	286T	OW15-9-286T	\$4,209.17	22.9	85.0	408	
25	1200	230/460/796	286T	OW20-12-286T	\$3,995.55	25.5	89.9	451	
	1200	230/460/796	286T	IOW20-12-286T	\$3,995.55	25.2	87.5	403	
	900	230/460/796	324T	OW20-9-324T	\$5,067.45	29.8	85.0	507	
30	1200	230/460/796	324T	OW25-12-324T	\$4,672.13	34.6	90.3	550	
	1200	230/460/796	324T	IOW25-12-324T	\$4,672.13	30.4	88.5	500	
	900	230/460/796	326T	OW25-9-326T	\$5,514.84	34.0	89.4	689	
40	1200	230/460/796	326T	OW30-12-326T	\$5,537.28	35.4	91.7	622	
	1200	230/460/796	326T	IOW30-12-326T	\$5,537.28	37.3	88.5	551	
	900	230/460/796	364T	OW30-9-364T	\$6,811.39	39.2	91.1	801	
50	900	230/460/796	364T	IOW30-9-364T	\$6,811.39	40.0	89.0	661	
	1200	230/460/796	365T	OW40-12-365T	\$7,486.25	47.9	87.4	714	
	1200	230/460/796	365T	IOW40-12-365T	\$7,486.25	48.4	89.0	758	
60	900	230/460/796	404T	OW40-9-404T	\$8,071.39	53.6	90.5	989	R
	900	230/460/796	404T	IOW40-9-404T	\$8,071.39	56.5	89.0	1146	R
	1200	230/460/796	404T	OW50-12-404T	\$8,399.20	57.8	91.3	957	R
75	1200	230/460/796	404T	IOW50-12-404T	\$8,399.20	61.2	88.0	1030	R
	900	230/460/796	405T	OW50-9-405T	\$10,993.16	64.2	91.5	1107	R
	900	230/460/796	405T	IOW50-9-405T	\$10,993.16	71.0	88.0	1252	R
100	1200	230/460/796	405T	OW60-12-405T	\$8,925.45	78.0	82.4	1058	R
	1200	230/460/796	405T	IOW60-12-405T	\$8,925.45	73.4	88.0	1164	R
	900	230/460/796	444T	OW60-9-444T	\$12,070.58	80.7	93.3	1257	R
125	1200	230/460/796	444T	OW75-12-444T	\$12,910.30	88.2	93.5	1185	R
	900	230/460/796	445T	OW75-9-445T	\$16,361.92	94.0	93.9	1385	R
	1200	230/460/796	445T	OW100-12-445T	\$14,596.60	118	92.2	1370	R
150	1200	230/460/796	445T	IOW100-12-445T	\$14,596.60	119	87.5	1720	R
	900	230/460/796	447T	OW100-9-447T	\$18,891.09	130	94.9	2033	R
	1200	230/460/796	447T	OW125-12-447T	\$15,961.52	138	93.5	1766	R
150	1200	230/460/796	449T	OW150-12-449T	\$18,311.28	174	94.5	2064	R
	1200	230/460/796	449T	IOW150-12-449T	\$18,311.28	176	90.0	2244	R

Notes: R: Roller bearing on drive-end for belted applications

WORLDWIDE Motor Slide Bases

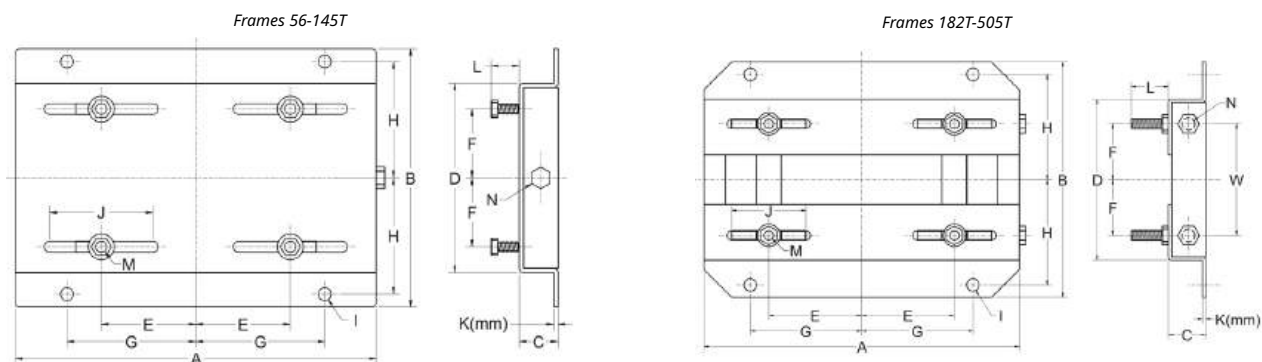
Product Specifications

- Bases are Provided with Washers
- Bases are Painted with an Oven-Baked Primer for Better Contact of Customer's Paint
- All "D" Bolts (Motor Mounting Bolts) are Grade 5 and Welded into Position to Prevent Spinning and "Dropping" from Slots
- All "D" Bolts are Fixed to the Exact Foot Pattern of the Motor to Aid in Easier Motor Installation
- Exact Drop-In Replacement for all Major Make Slide Bases
- Single Adjusting Screws for Frames 56-145T
- Double Adjusting Screws for Frames 182T-505T



Frame	Model Number	List Price	Approx. Wt. (lbs.)
56	W56	\$25.71	3
143T	W143T	\$49.52	6
145T	W145T	\$49.52	7
182T	W182T	\$67.35	10
184T	W184T	\$67.35	10
213T	W213T	\$100.19	15
215T	W215T	\$100.19	17
254T	W254T	\$136.48	19
256T	W256T	\$136.48	20
284T	W284T	\$153.47	24
286T	W286T	\$153.47	25
324T	W324T	\$223.30	35
326T	W326T	\$223.30	36
364T	W364T	\$310.80	49
365T	W365T	\$310.80	50
404T	W404T	\$380.73	66
405T	W405T	\$380.73	68
444T	W444T	\$430.16	74
445T	W445T	\$430.16	76
447T	W447T	\$569.00	102
449T	W449T	\$569.00	105
505T	W505T	\$884.00	137

Dimensions





LOUIS ALLIS
A WORLDWIDE ELECTRIC COMPANY

Web: louisallis.com

Email: Sales@louisallis.com

Sales: 205-590-2986

Specialty & Legacy Motors

Louis Allis, a Worldwide Electric Company, manufactures a wide variety of AC and DC electric motors for a wide range of applications. In our ISO 9001 certified manufacturing facility located in Warrior, Alabama, specialty electric motors are manufactured and tested to MIL-SPECIFICATION, NEMA MG, IEEE, or UL standards. We also have extensive repair capabilities for both large and small AC and DC motors regardless of the OEM and severity of repair need. Our team of motor experts, with decades of motor experience, is here to support your motor design, manufacturing, and repair needs.

Core Competencies

- Motor design and manufacturing per Mil-Std-17060 "Navy Service A"
- Mil-Std-2037 sealed winding insulation system up to 500 frame
- First article performance testing and environmental qualification testing
- Engineering services -improving of both new and existing rotating electrical equipment.
- Inspection, failure analysis, and repair of AC and DC motors, generators, and frequency converters

Differentiators

- Certified for Mil-Std-2037 Navy sealed system windings
- Ability to tackle one-off custom design and redesign projects
- Experience in both AC and DC rotating equipment up to 15,000 HP
- Mobility to do the work where and when you need it done

We Manufacture, Service, Repair and Replace:

- AC Squirrel cage induction, wound rotor, & synchronous motors
- DC motors
- Vertical motors
- Design D (High Slip) motors for hoist duty
- Dredge motors
- Propulsion and bow thruster motors (MIL-Specification)
- Generator sets
- Frequency converters
- Plus many other types

Custom DC Bow Thruster Motor for the United States Coast Guard





North American Electric Motors from WorldWide Electric



**GENERAL PURPOSE
INVERTER DUTY MOTORS**
1 HP—600 HP; 2, 4, 6 or 8-Pole
 - Totally Enclosed Fan Cooled or ODP
 - Frame: 143T-586/7UZ
 - Frame: 143TC-449TC
 - Inverter Duty (20:1 VT; 10:1 CT)



ROUND BODY MOTORS
1 HP—30 HP; 4-Pole; 1800 RPM
 - C-Flange without Feet
 - Frame: 143TC-449TC
 - Totally Enclosed Fan Cooled
 - Inverter Duty (20:1 VT; 10:1 CT)



CRUSHER DUTY MOTORS
1 HP—600 HP; 4, 6 or 8-Pole
 - Totally Enclosed Fan Cooled
 - Inverter Duty (20:1 VT; 10:1 CT) (143T - 505UZ)
 - Inverter Rated (10:1 VT; 5:1 CT) (586/7UZ)



**CLOSE COUPLED
PUMP MOTORS**
1 HP—75 HP; 2 or 4-Pole
 - Totally Enclosed Fan Cooled
 - Inverter Duty (20:1 VT; 10:1 CT)



EXPLOSION PROOF MOTORS
1—250 HP; 2, 4 or 6-Pole
 - All Motors Meet or Exceed
 - UL 674 Specification As Required
 - By OSHA For Installation and Use
 - In Hazardous Locations
 - Totally Enclosed Explosion Proof (TEXP)
 - Inverter Rated (10:1 VT; 5:1 CT)



OIL WELL PUMP MOTORS
2 HP—150 HP; 6 or 8-Pole
 - NEMA Design D; High Slip (5%—8% Slip)
 - Special Purpose Oil Well Pump Motors
 - Inverter Duty (20:1 VT; 10:1 CT)



VERTICAL HOLLOW SHAFT PUMP MOTORS
10 HP—250 HP; 4-Pole
 - Extra High Thrust available
 - V1 Series - Inverter Rated (10:1 VT)
 - V2 Series - Inverter Duty (20:1 VT)
 - w/ insulated bearing mounts from 40HP- 250HP



ROTARY PHASE CONVERTER MOTOR
3 HP—60 HP; 4-Pole
 - For Use with Rotary Phase Converters
 - To Run Three Phase Equipment From Single Phase Power
 - Totally Enclosed Fan Cooled

MOTOR ACCESSORIES Not included in this catalog - Contact Worldwide Electric for NAE Motor Accessory Availability



NAE OFFERS A WIDE RANGE OF MOTOR ACCESSORIES
 - Motor Slide Bases
 - Flange Kits
 - Conversion Kits
 - Vertical Hollow Shaft Replacement Parts:
 Ratchet Assembly Lubriport Sight Glass
 Alternative Bases Motor Couplings
 Top Cover

General Purpose | Heavy Duty Cast Iron Three-Phase | 230/460 and 575 Volt



Product Specifications

- 1-600 HP
- Enclosure: Totally enclosed fan cooled (TEFC)
- Frame: 143T-586/7UZ
- Inverter duty: 1-300 HP (20:1 VT; 10:1 CT)
- Inverter rated: 350-600 HP (10:1 VT; 5:1 CT)
- Service factor: 1.15 @ 60 Hz; 1.0 @ 50 Hz; Suitable for 575V @ 1.0
- NEMA Design B Performance/ High starting torque
- F1/F2 reversible through 449T frame
- Dual-drilled feet for mounting flexibility
- Lifting provision
- Sealed bearings through 215T frame, regreasable open bearings on 254T frame and above; insulated bearings on ODE available on 444T frame and above
- Class F insulation system; Class B rise at full load; Class H vacuum pressure impregnation (VPI) resin for all windings
- Heavy duty cast iron housing with corrosion-resistant epoxy paint, stainless steel nameplate and zinc plated hardware
- IP55 protection
- Condensation drain with plugs
- NEMA MG- 1, Part 31, Table 12-12 (unless otherwise noted)
- Class I, Div. II, Groups A, B, C, D, T2B; Class II, Div. II, Groups F, G
- 40° C ambient continuous duty
- Dual voltage ratings suitable for part wind start on lower voltage
- Windings rated for 2200V peak voltage spikes
- 3-year warranty (extended warranty available)



HP	RPM	Volts	Frame	Flange	FL Eff. (%)	FL Amps (A)	"C" Dim (in.)	Weight (lbs.)	Notes *	Model Number	List Price
1	1800	230/460	143T	NEWT	85.5	3.2-3/1.5	13.6	47	8,9,12,26	PE143T-1-4	\$342.09
		575	143T	NEWT	85.5	1.2	13.6	47	8,9,12	PE143T-1-4-575V	\$342.09
	1200	230/460	145T	NEWT	82.5	4-3.6/1.8	14.6	53	8,9,12,26	PE145T-1-6	\$443.35
		575	145T	NEWT	82.5	1.4	14.6	52	8,9,12	PE145T-1-6-575V	\$443.35
1.5	3600	230/460	143T	NEWT	84.0	4.4-4/2	13.6	46	8,9,12,26	PE143T-1.5-2	\$384.18
		575	143T	NEWT	84.0	1.6	13.6	46	8,9,12	PE143T-1.5-2-575V	\$384.18
	1800	230/460	145T	NEWT	86.5	4.7-4.4/2.2	14.6	50	8,9,12,26	PE145T-1.5-4	\$381.19
		575	145T	NEWT	86.5	1.8	14.6	53	8,9,12	PE145T-1.5-4-575V	\$381.19
	1200	230/460	182T	NEWT	87.5	5.2-4.8/2.4	16.1	87	8,9,12,26	PE182T-1.5-6	\$621.83
		575	182T	NEWT	87.5	1.9	16.1	95	8,9,12	PE182T-1.5-6-575V	\$621.83
2	3600	230/460	145T	NEWT	85.5	5.8-5.3/2.65	14.6	48	8,9,12,26	PE145T-2-2	\$423.34
		575	145T	NEWT	85.5	2.1	14.6	52	8,9,12	PE145T-2-2-575V	\$423.34
	1800	230/460	145T	NEWT	86.5	6.6-6.2/3.1	14.6	56	8,9,12,26	PE145T-2-4	\$399.38
		575	145T	NEWT	86.5	2.5	14.6	57	8,9,12	PE145T-2-4-575V	\$399.38
	1200	230/460	184T	NEWT	88.5	6.4-5.9/2.95	17.1	91	8,9,12,26	PE184T-2-6	\$687.64
		575	184T	NEWT	88.5	2.4	17.1	103	8,9,12	PE184T-2-6-575V	\$687.64
3	3600	230/460	145T	NEWT	86.5	9-8.2/4.1	14.6	54	8,9,12,26	PE145T-3-2	\$537.05
		230/460	182T	NEWT	86.5	7.9-7.4/3.7	16.1	86	8,9,12,26	PE182T-3-2	\$581.30
		575	182T	NEWT	86.5	2.96	16.1	90	8,9,12	PE182T-3-2-575V	\$581.30
	1800	230/460	182T	NEWT	89.5	8.2-7.6/3.8	16.1	90	8,9,12,26	PE182T-3-4	\$594.54
		575	182T	NEWT	89.5	3.04	16.1	97	8,9,12,26	PE182T-3-4-575V	\$594.54
	1200	230/460	213T	NEPE	89.5	9.2-8.4/4.2	18.9	146	8,9,12,26	PE213T-3-6	\$880.84
575		213T	NEPE	89.5	3.36	18.9	136	8,9,12,26	PE213T-3-6-575V	\$880.84	
5	3600	230/460	184T	NEWT	88.5	13-11.6/5.8	17.1	102	8,9,12,26	PE184T-5-2	\$713.59
		575	184T	NEWT	88.5	4.64	17.1	110	8,9,12,26	PE184T-5-2-575V	\$713.59
	1800	230/460	184T	NEWT	89.5	14-13.6/6.8	17.1	101	8,9,12,26	PE184T-5-4	\$710.84
		575	184T	NEWT	89.5	5.44	17.1	94	8,9,12,26	PE184T-5-4-575V	\$710.84
	1200	230/460	215T	NEPE	89.5	15.6-14.2/7.1	20.4	151	8,9,12,26	PE215T-5-6	\$1,093.20
		575	215T	NEPE	89.5	5.68	20.4	162	8,9,12,26	PE215T-5-6-575V	\$1,093.20

11
NAE Motors

Section 11: North American Electric Motors



General Purpose | Heavy Duty Cast Iron (Continued...)

Three-Phase | 230/460 and 575 Volt

HP	RPM	Volts	Frame	Flange	FL Eff. (%)	FL Amps (A)	"C" Dim (in.)	Weight (lbs.)	Notes *	Model Number	List Price
7.5	3600	230/460	184T	NEWT	89.5	18.8-17.6/8.8	17.1	117	8,9,12,26	PE184T-7.5-2	\$894.34
		230/460	213T	NEWT	89.5	18.8-17.6/8.8	18.9	154	8,9,12,26	PE213T-7.5-2	\$1,039.74
		575	213T	NEWT	89.5	7	18.9	145	8,9,12,26	PE213T-7.5-2-575V	\$1,039.74
	1800	230/460	213T	NEWT	91.7	19.8-18.4/9.2	18.9	155	8,9,12,26	PE213T-7.5-4	\$1,059.38
		575	213T	NEWT	91.7	7.4	18.9	155	8,9,12,26	PE213T-7.5-4-575V	\$1,059.38
	1200	230/460	254T	NEPE	91.0	21-19.6/9.8	23.2	242	8,9,10,12	PE254T-7.5-6	\$1,594.53
575		254T	NEPE	91.0	7.8	23.2	272	8,9,12	PE254T-7.5-6-575V	\$1,594.53	
10	3600	230/460	215T	NEWT	90.2	23.9-22.8/11.4	20.4	162	8,9,12,26	PE215T-10-2	\$1,137.59
		575	215T	NEWT	90.2	9.1	20.4	167	8,9,12,26	PE215T-10-2-575V	\$1,137.59
	1800	230/460	215T	NEWT	91.7	26-24/12	20.4	178	8,9,12,26	PE215T-10-4	\$1,178.58
		575	215T	NEWT	91.7	9.6	20.4	206	8,9,12,26	PE215T-10-4-575V	\$1,178.58
	1200	230/460	256T	NEPE	91.0	27.2-25.6/12.8	25	261	8,9,10,12	PE256T-10-6	\$1,718.33
		575	256T	NEPE	91.0	10.2	25	293	8,9,12	PE256T-10-6-575V	\$1,718.33
15	3600	230/460	215T	NEWT	91.0	37-35/17.5	20.4	179	8,9,12,26	PE215T-15-2	\$1,547.25
		230/460	254T	NEWT	91.0	36.2-34.4/17.2	23.2	260	8,9,12,26	PE254T-15-2	\$1,732.01
		575	254T	NEWT	91.0	13.76	23.2	286	8,9,12	PE254T-15-2-575V	\$1,732.01
	1800	230/460	254T	NEPE	92.4	37.2-36.4/18.2	23.2	275	8,9,10,12	PE254T-15-4	\$1,796.19
		575	254T	NEPE	92.4	14.56	23.2	285	8,9,12	PE254T-15-4-575V	\$1,796.19
	1200	230/460	284T	NEWT	91.7	41-38/19	26.6	315	8,9,10,12	PE284T-15-6	\$2,142.19
575		284T	NEWT	91.7	15.2	26.6	363	8,9,12	PE284T-15-6-575V	\$2,142.19	
20	3600	230/460	256T	NEWT	91.0	48.5-46/23	25	280	8,9,10,12	PE256T-20-2	\$2,038.02
		575	256T	NEWT	91.0	18.4	25	315	8,9,12	PE256T-20-2-575V	\$2,038.02
	1800	230/460	256T	NEPE	93.0	51.8-48.4/24.2	25	317	8,9,10,12	PE256T-20-4	\$2,021.54
		575	256T	NEPE	93.0	19.36	25	317	8,9,12	PE256T-20-4-575V	\$2,021.54
	1200	230/460	286T	NEWT	91.7	54.7-50/25	28.1	394	8,9,10,12	PE286T-20-6	\$2,418.33
		575	286T	NEWT	91.7	20	28.1	394	8,9,12	PE286T-20-6-575V	\$2,418.33
25	3600	230/460	256T	NEWT	91.7	60-56/28	25	298	8,9,10,12	PE256T-25-2	\$2,329.96
		230/460	284T	NEWT	91.7	61-57/28.5	26.6	383	8,9,10,12	PE284T-25-2	\$2,461.28
		230/460	284TS	NEWT	91.7	61-57/28.5	25.2	383	8,9,10,12	PE284TS-25-2	\$2,461.28
		575	284TS	NEWT	91.7	22.8	25.2	385	8,9,12	PE284TS-25-2-575V	\$2,461.28
	1800	230/460	284T	NEWT	93.6	65-60/30	26.6	364	8,9,10,12	PE284T-25-4	\$2,306.36
		230/460	284TS	NEWT	93.6	65-60/30	25.2	364	8,9,10,12	PE284TS-25-4	\$2,306.36
		575	284T	NEWT	93.6	24	26.6	398	8,9,12	PE284T-25-4-575V	\$2,306.36
	1200	230/460	324T	NEWT	93.0	67-61/30.5	29.8	477	8,9,10,12	PE324T-25-6	\$3,116.69
		575	324T	NEWT	93.0	24.4	29.8	508	8,9,12	PE324T-25-6-575V	\$3,116.69
30	3600	230/460	286T	NEWT	91.7	74-69/34.5	28.1	391	8,9,10,12	PE286T-30-2	\$2,611.54
		230/460	286TS	NEWT	91.7	74-69/34.5	26.7	391	8,9,10,12	PE286TS-30-2	\$2,611.54
		575	286TS	NEWT	91.7	27.6	26.7	409	8,9,12	PE286TS-30-2-575V	\$2,611.54
	1800	230/460	286T	NEWT	93.6	76-70.6/35.3	28.1	409	8,9,10,12	PE286T-30-4	\$2,591.44
		230/460	286TS	NEWT	93.6	76-70.6/35.3	26.7	409	8,9,10,12	PE286TS-30-4	\$2,591.44
		575	286T	NEWT	93.6	28.2	28.1	437	8,9,12	PE286T-30-4-575V	\$2,591.44
	1200	230/460	326T	NEWT	93.0	78-71.8/35.9	31.3	648	8,9,10,12	PE326T-30-6	\$3,424.56
		575	326T	NEWT	93.0	28.7	31.3	537	8,9,12	PE326T-30-6-575V	\$3,424.56

11
NAE Motors

Section 11: North American Electric Motors



General Purpose | Heavy Duty Cast Iron (Continued...)

Three-Phase | 230/460 and 575 Volt

HP	RPM	Volts	Frame	Flange	FL Eff. (%)	FL Amps (A)	"C" Dim (in.)	Weight (lbs.)	Notes *	Model Number	List Price
40	3600	230/460	286T	NEWT	92.4	95-89/44.5	28.1	401	8,9,10,12	PE286T-40-2	\$3,274.72
		230/460	286TS	NEWT	92.4	95-89/44.5	26.7	401	8,9,10,12	PE286TS-40-2	\$3,274.72
		230/460	324T	NEWT	92.4	94.9-91/45.5	29.8	532	8,9,10,12	PE324T-40-2	\$3,595.91
		230/460	324TS	NEWT	92.4	94.9-91/45.5	28.3	495	8,9,10,12	PE324TS-40-2	\$3,595.91
		575	324TS	NEWT	92.4	36.4	28.3	414	8,9,12	PE324TS-40-2-575V	\$3,595.91
	1800	230/460	324T	NEWT	94.1	100-93.2/46.6	29.8	513	8,9,10,12	PE324T-40-4	\$3,478.20
		230/460	324TS	NEWT	94.1	100-93.2/46.6	28.3	513	8,9,10,12	PE324TS-40-4	\$3,478.20
		575	324T	NEWT	94.1	37.3	29.8	519	8,9,12	PE324T-40-4-575V	\$3,478.20
	1200	230/460	364T	NEPE	94.1	110-100/50	32.5	724	8,9,10,12	PE364T-40-6	\$4,786.36
		575	364T	NEPE	94.1	40	32.5	697	8,9,12	PE364T-40-6-575V	\$4,786.36
50	3600	230/460	326T	NEWT	93.0	124-116.2/58.1	31.3	568	8,9,10,12	PE326T-50-2	\$3,845.41
		230/460	326TS	NEWT	93.0	124-116.2/58.1	29.8	568	8,9,10,12	PE326TS-50-2	\$3,845.41
		575	326TS	NEWT	93.0	46.48	29.8	548	8,9,12	PE326TS-50-2-575V	\$3,845.41
	1800	230/460	326T	NEWT	94.5	124-116.6/58.3	31.3	592	8,9,10,12	PE326T-50-4	\$3,786.07
		230/460	326TS	NEWT	94.5	124-116.6/58.3	29.8	592	8,9,10,12	PE326TS-50-4	\$3,786.07
		575	326T	NEWT	94.5	46.6	31.3	594	8,9,12	PE326T-50-4-575V	\$3,786.07
	1200	230/460	365T	NEPE	94.1	132-124/62	33.5	779	8,9,10,12	PE365T-50-6	\$5,315.19
		575	365T	NEPE	94.1	49.6	33.5	752	8,9,12	PE365T-50-6-575V	\$5,315.19
60	3600	230/460	364T	NEWT	93.6	146-132/66	33.5	805	8,9,10,12	PE364T-60-2	\$5,132.80
		230/460	364TS	NEWT	93.6	146-132/66	31.4	805	8,9,10,12	PE364TS-60-2	\$5,132.80
		575	364TS	NEWT	93.6	52.8	31.4	704	8,9,12	PE364TS-60-2-575V	\$5,132.80
	1800	230/460	364T	NEPE	95.0	154-139/69.5	32.5	801	8,9,10,12	PE364T-60-4	\$5,231.62
		230/460	364TS	NEPE	95.0	154-139/69.5	30.4	801	8,9,10,12	PE364TS-60-4	\$5,231.62
		575	364T	NEPE	95.0	55.6	32.5	766	8,9,12	PE364T-60-4-575V	\$5,231.62
	1200	230/460	404T	NEPE	94.5	154-140/70	38	959	8,9,10	PE404T-60-6	\$6,233.38
		230/460	404T	NEPE	94.5	154-140/70	38	959	8,9,10,12	PE404T-60-6-BB	\$6,233.38
75	3600	230/460	365T	NEWT	93.6	184-166/83	33.5	833	8,9,10,12	PE365T-75-2	\$5,185.54
		230/460	365TS	NEWT	93.6	184-166/83	31.4	833	8,9,10,12	PE365TS-75-2	\$5,185.49
		575	365TS	NEWT	93.6	66.4	31.4	766	8,9,12	PE365TS-75-2-575V	\$5,185.49
	1800	230/460	365T	NEPE	95.4	193-174/87	33.5	823	8,9,10,12	PE365T-75-4	\$5,788.21
		230/460	365TS	NEPE	95.4	193-174/87	31.4	826	8,9,10,12	PE365TS-75-4	\$5,788.21
		575	365T	NEPE	95.4	69.6	33.5	868	8,9,12	PE365T-75-4-575V	\$5,788.21
	1200	230/460	405T	NEPE	94.5	193-174/87	38	1085	8,9,10	PE405T-75-6	\$7,680.49
		230/460	405T	NEPE	94.5	193-174/87	38	1085	8,9,10,12	PE405T-75-6-BB	\$7,680.49
		575	405T	NEPE	94.5	69.6	38	1120	8,9	PE405T-75-6-575V	\$7,680.49

11
NAE Motors

Section 11: North American Electric Motors



General Purpose | Heavy Duty Cast Iron (Continued...)

Three-Phase | 230/460 and 575 Volt

HP	RPM	Volts	Frame	Flange	FL Eff. (%)	FL Amps (A)	"C" Dim (in.)	Weight (lbs.)	Notes *	Model Number	List Price	
100	3600	230/460	405T	NEWT	94.1	248-224/112	38	1107	8,9,10,12	PE405T-100-2	\$8,040.51	
		230/460	405TS	NEWT	94.1	248-224/112	35	1107	8,9,10,12	PE405TS-100-2	\$8,040.51	
		575	405TS	NEWT	94.1	89.6	35	1040	8,9,12	PE405TS-100-2-575V	\$8,040.51	
	1800	230/460	405T	NEPE	95.4	248-224/112	38	1228	8,9,10	PE405T-100-4	\$7,569.12	
		230/460	405T	NEPE	95.4	248-224/112	38	1228	8,9,10,12	PE405T-100-4-BB	\$7,569.12	
		230/460	405TS	NEPE	95.4	248-224/112	35	1228	8,9,10,12	PE405TS-100-4	\$7,569.12	
		575	405T	NEPE	95.4	89.6	38	1058	8,9,12	PE405T-100-4-575V	\$7,569.12	
		230/460	444T	NEPE	95.0	250-232/116	44.3	1364	8,9,10	PE444T-100-6	\$10,241.10	
		230/460	444T	NEPE	95.0	250-232/116	44.3	1364	8,9,10,13	PE444T-100-6-IN	\$12,141.83	
1200	575	444T	NEPE	95.0	92.8	44.3	1320	8,9	PE444T-100-6-575V	\$10,241.10		
125	3600	460	444TS	NEWT	95.0	140	40.6	1331	8,9,11,12	PE444TS-125-2	\$9,932.71	
		460	444TS	NEWT	95.0	140	40.6	1331	8,9,11,12,13	PE444TS-125-2-IN	\$12,442.33	
		575	444TS	NEWT	95.0	112	40.6	1247	8,9,12	PE444TS-125-2-575V	\$9,932.71	
	1800	460	444T	NEPE	95.4	145	44.3	1471	8,9,11	PE444T-125-4	\$9,999.69	
		460	444T	NEPE	95.4	145	44.3	1471	8,9,11,12	PE444T-125-4-BB	\$9,999.69	
		460	444T	NEPE	95.4	145	44.3	1471	8,9,11,13	PE444T-125-4-IN	\$12,396.94	
		460	444TS	NEPE	95.4	145	40.6	1471	8,9,11,12	PE444TS-125-4	\$9,999.69	
		575	444T	NEPE	95.4	116	44.3	1342	8,9	PE444T-125-4-575V	\$9,999.69	
		460	445T	NEPE	95.0	147	44.3	1562	8,9,11	PE445T-125-6	\$10,908.50	
	1200	460	445T	NEPE	95.0	147	44.3	1562	8,9,11,13	PE445T-125-6-IN	\$12,809.19	
		575	445T	NEPE	95.0	27.6	44.3	1400	8,9,11	PE445T-125-6-575V	\$10,908.50	
		460	445TS	NEPE	95.0	166	40.6	1459	8,9,11,12	PE445TS-150-2	\$12,207.80	
150	3600	460	445TS	NEPE	95.0	166	40.6	1459	8,9,11,12,13	PE445TS-150-2-IN	\$14,717.41	
		575	445TS	NEPE	95.0	132.8	40.6	1408	8,9,12	PE445TS-150-2-575V	\$12,207.80	
		460	445T	NEPE	95.8	171	44.3	1683	8,9,11	PE445T-150-4	\$12,038.00	
	1800	460	445T	NEPE	95.8	171	44.3	1683	8,9,11,12	PE445T-150-4-BB	\$12,038.00	
		460	445T	NEPE	95.8	171	44.3	1683	8,9,11,13	PE445T-150-4-IN	\$13,938.69	
		460	445TS	NEPE	95.8	171	40.6	1683	8,9,11,12	PE445TS-150-4	\$12,038.00	
		575	445T	NEPE	95.8	136.8	44.3	1672	8,9	PE445T-150-4-575V	\$12,038.00	
		460	447T	NEPE	95.8	173	47.8	1826	8,9,11	PE447T-150-6	\$13,216.72	
		460	447T	NEPE	95.8	173	47.8	1826	8,9,11,13	PE447T-150-6-IN	\$15,117.41	
	1200	575	447T	NEPE	95.8	138.4	47.8	1800	8,9	PE447T-150-6-575V	\$13,216.72	
	200	3600	460	447TS	NEPE	95.4	222	44.1	1761	8,9,11,12	PE447TS-200-2	\$15,315.25
			460	447TS	NEPE	95.4	222	44.1	1761	8,9,11,12,13	PE447TS-200-2-IN	\$17,824.82
575			447TS	NEPE	95.4	177.6	44.1	1584	8,9,12	PE447TS-200-2-575V	\$15,315.25	
1800		460	447T	NEPE	96.2	220	47.8	1890	8,9,11	PE447T-200-4	\$14,046.43	
		460	447T	NEPE	96.2	220	47.8	1890	8,9,11,12	PE447T-200-4-BB	\$14,046.43	
		460	447T	NEPE	96.2	220	47.8	1890	8,9,11,13	PE447T-200-4-IN	\$15,947.17	
		460	447TS	NEPE	96.2	220	44.1	1866	8,9,11,12	PE447TS-200-4	\$14,046.43	
		575	447T	NEPE	96.2	176	47.8	1782	8,9	PE447T-200-4-575V	\$14,046.43	
		460	449T	NEPE	95.8	230	52.8	2151	8,9,11	PE449T-200-6	\$15,110.47	
1200		460	449T	NEPE	95.8	230	52.8	2151	8,9,11,13	PE449T-200-6-IN	\$17,382.09	
		575	449T	NEPE	95.8	184	52.8	2100	8,9	PE449T-200-6-575V	\$15,110.47	

11
NAE Motors

Section 11: North American Electric Motors



General Purpose | Inverter Duty | Cast Iron (Continued...)

Three-Phase | 230/460 and 575 Volt

HP	RPM	Volts	Frame	Flange	FL Eff. (%)	FL Amps (A)	"C" Dim (in.)	Weight (lbs.)	Notes *	Model Number	List Price
250	3600	460	449TS	NEPE	95.8	266	49.1	1954	8,9,11,12	PE449TS-250-2	\$14,707.60
		460	449TS	NEPE	95.8	266	49.1	1954	8,9,11,12,13	PE449TS-250-2-IN	\$16,819.31
		575	449TS	NEPE	95.8	212.8	49.1	1870	8,9,12	PE449TS-250-2-575V	\$14,707.60
	1800	460	449T	NEPE	96.2	275	52.8	2064	8,9,11	PE449T-250-4	\$12,934.02
		460	449T	NEPE	96.2	275	52.8	2064	8,9,11,12	PE449T-250-4-BB	\$12,934.02
		460	449T	NEPE	96.2	275	52.8	2064	8,9,11,13	PE449T-250-4-IN	\$14,533.32
	1200	575	449T	NEPE	96.2	220	52.8	2150	8,9	PE449T-250-4-575V	\$12,934.02
		460	449T	NEPE	95.8	280	52.8	2387	8,9,11	PE449T-250-6	\$15,877.70
		460	449T	NEPE	95.8	280	52.8	2387	8,9,11,13	PE449T-250-6-IN	\$17,789.07
		575	449T	NEPE	95.8	224	52.8	2323	8,9	PE449T-250-6-575V	\$15,877.70
300	3600	460	449TS	NEPE	95.8	320	49.1	2087	8,9,11,12	PE449TS-300-2	\$17,275.58
		460	449TS	NEPE	95.8	320	49.1	2087	8,9,11,12,13	PE449TS-300-2-IN	\$20,039.64
		575	449TS	NEPE	95.8	256	49.1	2002	8,9,12	PE449TS-300-2-575V	\$17,275.58
	1800	460	449T	NEPE	96.2	330	52.8	2196	8,9,11	PE449T-300-4	\$17,617.08
		460	449T	NEPE	96.2	330	52.8	2196	8,9,11,12	PE449T-300-4-BB	\$17,617.08
		460	449T	NEPE	96.2	330	52.8	2196	8,9,11,13	PE449T-300-4-IN	\$19,634.23
	1200	460	449TS	NEPE	96.2	330	49.1	2172	8,9,11,12	PE449TS-300-4	\$17,617.08
		575	449T	NEPE	96.2	264	52.8	2220	8,9	PE449T-300-4-575V	\$17,617.08
		460	449T	NEPE	95.8	357	52.8	2684	8,9,11	PE449T-300-6	\$18,955.08
		460	449T	NEPE	95.8	357	52.8	2684	8,9,11,13	PE449T-300-6-IN	\$20,554.37
		575	449T	NEPE	95.8	285.6	52.8	2532	8,9	PE449T-300-6-575V	\$18,955.08
350	1800	460	587UZ	NC58	96.2	378.5	71.7	4846.6	8,12,14,15	PE587UZ-350-4C-BB	\$27,629.58
	1200	460	587UZ	NC58	95.8	390.4	71.7	5176	8,12,14,15	PE587UZ-350-6C-BB	\$32,415.17
400	1800	460	587UZ	NC58	96.2	434.9	71.7	4983	8,12,14,15	PE587UZ-400-4C-BB	\$30,402.92
	1200	460	587UZ	NC58	95.8	448.6	71.7	5940	8,12,14,15	PE587UZ-400-6C-BB	\$35,937.59
450	1800	460	587UZ	NC58	96.2	487.2	71.7	5370.2	8,12,14,15	PE587UZ-450-4C-BB	\$34,562.90
	1200	460	587UZ	NC58	96.2	504.7	71.7	6041.2	8,12,14,15	PE587UZ-450-6C-BB	\$38,906.19
500	1800	460	587UZ	NC58	96.2	558.1	71.7	5687	8,12,14,15	PE587UZ-500-4C-BB	\$37,256.54
	1200	460	587UZ	NC58	95.8	563.1	71.7	6190.8	8,12,14,15	PE587UZ-500-6C-BB	\$42,795.21
600	1800	460	587UZ	NC58	96.2	669.6	71.7	5946.6	12,14,15	PE587UZ-600-4C-BB	\$50,256.22

Notes

- 8. NEMA Premium® (NEMA MG-1, Table 12-12)
- 9. Inverter duty (20:1 variable torque; 10:1 constant torque)
- 10. 12-lead part wind start at 208-230V
- 11. 6-lead part wind start at 460V
- 12. Ball bearing on drive end
- 13. Insulated bearing on opposite drive end
- 14. Equipped with terminal blocks as standard
- 15. Inverter rated (10:1 variable torque; 5:1 constant torque)
- 16. C- and D- Flange conversion kits (see pg. 63)
- 26. Suitable for part wind start at 208-230V

11
NAE Motors

General Purpose | C-Flange w/Feet | Heavy Duty Cast Iron Three-Phase | 230/460 Volt



Product Specifications

- 1-300 HP
- Enclosure: Totally enclosed fan cooled (TEFC)
- Frame: 143TC-449TC
- Inverter duty: (20:1 VT; 10:1 CT)
- Service factor: 1.15 @ 60 Hz; 1.0 @ 50 Hz
- NEMA Design B Performance/ High starting torque
- F1/F2 reversible
- Dual-drilled feet for mounting flexibility
- Lifting provision
- Sealed bearings
- Class F insulation system; Class B rise at full load; Class H vacuum pressure impregnation (VPI) resin for all windings
- Corrosion-resistant epoxy paint and stainless steel nameplate and zinc plated hardware
- IP55 protection
- Condensation drain with plugs
- NEMA MG- 1, Part 31, Table 12-12
- Class I, Div. II, Groups A, B, C, D, T2B; Class II, Div. II, Groups F, G
- 40° C ambient continuous duty
- Dual voltage ratings suitable for part wind start on lower voltage
- Windings rated for 2200V peak voltage spikes
- 3-year warranty (extended warranty available)



HP	RPM	Volts	Frame	Flange	FL Eff. (%)	FL Amps (A)	"C" Dim (in.)	Weight (lbs.)	Notes *	Model Number	List Price
1	1800	230/460	143TC	NEWT	85.5	3.2-3/1.5	13.6	47	8,9,12,13,26	PE143TC-1-4	\$352.32
	1200	230/460	145TC	NEWT	82.5	4-3.6/1.8	14.6	57	8,9,12,13,26	PE145TC-1-6	\$456.60
1.5	3600	230/460	143TC	NEWT	84.0	4.4-4/2	13.6	46	8,9,12,13,26	PE143TC-1.5-2	\$395.70
	1800	230/460	145TC	NEWT	86.5	4.7-4.4/2.2	14.6	52	8,9,12,13,26	PE145TC-1.5-4	\$392.57
2	1200	230/460	182TC	NEWT	87.5	5.2-4.8/2.4	16.1	93	8,9,12,13,26	PE182TC-1.5-6	\$640.42
	3600	230/460	145TC	NEWT	85.5	5.8-5.3/2.65	14.6	49	8,9,12,13,26	PE145TC-2-2	\$436.03
2	1800	230/460	145TC	NEWT	86.5	6.6-6.2/3.1	14.6	56	8,9,12,13,26	PE145TC-2-4	\$411.42
	1200	230/460	184TC	NEWT	88.5	6.4-5.9/2.95	17.1	91	8,9,12,13,26	PE184TC-2-6	\$708.26
3	3600	230/460	145TC	NEWT	86.5	9-8.2/4.1	14.6	58	8,9,12,13,26	PE145TC-3-2	\$553.09
		230/460	182TC	NEWT	86.5	7.9-7.4/3.7	16.1	88	8,9,12,13,26	PE182TC-3-2	\$598.76
	1800	230/460	182TC	NEWT	89.5	8.2-7.6/3.8	16.1	92	8,9,12,13,26	PE182TC-3-4	\$612.38
		230/460	213TC	NEPE	89.5	9.2-8.4/4.2	18.9	150	8,9,12,13,26	PE213TC-3-6	\$907.22
5	3600	230/460	184TC	NEWT	88.5	13-11.6/5.8	17.1	102	8,9,12,13,26	PE184TC-5-2	\$735.01
	1800	230/460	184TC	NEWT	89.5	14-13.6/6.8	17.1	101	8,9,12,13,26	PE184TC-5-4	\$732.17
	1200	230/460	215TC	NEPE	89.5	15.6-14.2/7.1	20.4	153	8,9,12,13,26	PE215TC-5-6	\$1,126.04
7.5	3600	230/460	184TC	NEWT	89.5	18.8-17.6/8.8	17.1	119	8,9,12,13,26	PE184TC-7.5-2	\$921.18
		230/460	213TC	NEWT	89.5	18.8-17.6/8.8	18.9	154	8,9,12,13,26	PE213TC-7.5-2	\$1,070.98
	1800	230/460	213TC	NEPE	91.7	19.8-18.4/9.2	18.9	159	8,9,12,13,26	PE213TC-7.5-4	\$1,091.16
		230/460	254TC	NEPE	91.0	21-19.6/9.8	23.2	242	8,9,10,12,13	PE254TC-7.5-6	\$1,642.37
10	3600	230/460	215TC	NEWT	90.2	23.9-22.8/11.4	20.4	163	8,9,12,13,26	PE215TC-10-2	\$1,171.70
	1800	230/460	215TC	NEPE	91.7	26-24/12	20.4	181	8,9,12,13,26	PE215TC-10-4	\$1,213.94
	1200	230/460	256TC	NEPE	91.0	27.2-25.6/12.8	25	269	8,9,10,12	PE256TC-10-6	\$1,769.89
15	3600	230/460	215TC	NEPE	91.0	37-35/17.5	20.4	183	8,9,12,26	PE215TC-15-2	\$1,593.73
		230/460	254TC	NEWT	91.0	36.2-34.4/17.2	23.2	261	8,9,10,12	PE254TC-15-2	\$1,784.00
	1800	230/460	254TC	NEWT	92.4	37.2-36.4/18.2	23.2	280	8,9,10,12	PE254TC-15-4	\$1,850.08
		230/460	284TC	NEWT	91.7	41 - 38 / 19	26.6	325	8,9,10,12,13,15,18	PE284TC-15-6	\$2,206.45
20	3600	230/460	256TC	NEWT	91.0	48.5-46/23	25	269	8,9,10,12	PE256TC-20-2	\$2,099.07
	1800	230/460	256TC	NEWT	93.0	51.8-48.4/24.2	25	322	8,9,10,12	PE256TC-20-4	\$2,082.19
	1200	230/460	286TC	NEWT	91.7	54.7 - 50 / 25	28.1	404	8,9,10,12,13,15,18	PE286TC-20-6	\$2,490.94
25	3600	230/460	256TC	NEWT	91.7	60-56/28	25	306	8,9,10,12	PE256TC-25-2	\$2,399.91
		230/460	284TC	NEWT	91.7	61-57/28.5	26.6	393	8,9,10,12	PE284TC-25-2	\$2,535.05
		230/460	284TSC	NEWT	91.7	61-57/28.5	25.2	393	8,9,10,12	PE284TSC-25-2	\$2,535.05
	1800	230/460	284TC	NEWT	93.6	65-60/30	26.6	396	8,9,10,12	PE284TC-25-4	\$2,375.55
		230/460	284TSC	NEWT	93.6	65-60/30	25.2	396	8,9,10,12	PE284TSC-25-4	\$2,375.55
		230/460	324TC	NEWT	93.0	67 - 61 / 30.5	29.8	495	8,9,10,12,13,15,18	PE324TC-25-6	\$3,210.23

Section 11: North American Electric Motors



General Purpose | C-Flange w/Feet | Heavy Duty Cast Iron (Continued...)

Three-Phase | 230/460 Volt

HP	RPM	Volts	Frame	Flange	FL Eff. (%)	FL Amps (A)	"C" Dim (in.)	Weight (lbs.)	Notes *	Model Number	List Price
30	3600	230/460	286TC	NEWT	91.7	74-69/34.5	28.1	401	8,9,10,12	PE286TC-30-2	\$2,689.86
		230/460	286TSC	NEWT	91.7	74-69/34.5	26.7	401	8,9,10,12	PE286TSC-30-2	\$2,689.86
	1800	230/460	286TC	NEWT	93.6	76-70.6/35.3	28.1	434	8,9,10,12	PE286TC-30-4	\$2,669.18
		230/460	286TSC	NEWT	93.6	76-70.6/35.3	26.7	434	8,9,10,12	PE286TSC-30-4	\$2,669.18
	1200	230/460	326TC	NEWT	93.0	78 - 71.8 / 35.9	31.3	648	8,9,10,12,13,15,18	PE326TC-30-6	\$3,527.38
40	3600	230/460	286TC	NEWT	92.4	95-89/44.5	28.1	411	8,9,10,12	PE286TC-40-2	\$3,372.98
		230/460	286TSC	NEWT	92.4	95-89/44.5	26.7	411	8,9,10,12	PE286TSC-40-2	\$3,372.98
		230/460	324TC	NEWT	92.4	94.9-91/45.5	29.8	550	8,9,10,12	PE324TC-40-2	\$3,703.80
	230/460	324TSC	NEWT	92.4	94.9-91/45.5	28.3	513	8,9,10,12	PE324TSC-40-2	\$3,703.80	
	1800	230/460	324TC	NEWT	94.1	100-93.2/46.6	29.8	551	8,9,10,12	PE324TC-40-4	\$3,582.50
		230/460	324TSC	NEWT	94.1	100-93.2/46.6	28.3	551	8,9,10,12	PE324TSC-40-4	\$3,582.50
1200	230/460	364TC	NEPE	94.1	110 - 100 / 50	32.5	720	8,9,10,12,13,15,18	PE364TC-40-6	\$4,929.86	
50	3600	230/460	326TC	NEWT	93.0	124-116.2/58.1	31.3	586	8,9,10,12	PE326TC-50-2	\$3,960.76
		230/460	326TSC	NEWT	93.0	124-116.2/58.1	29.8	586	8,9,10,12	PE326TSC-50-2	\$3,960.76
	1800	230/460	326TC	NEWT	94.5	124-116.6/58.3	31.3	626	8,9,10,12	PE326TC-50-4	\$3,899.65
		230/460	326TSC	NEWT	94.5	124-116.6/58.3	29.8	626	8,9,10,12	PE326TSC-50-4	\$3,899.65
	1200	230/460	365TC	NEPE	94.1	132 - 124 / 62	33.5	779	8,9,10,12,13,15,18	PE365TC-50-6	\$5,474.55
60	3600	230/460	364TC	NEWT	93.6	146-132/66	33.5	805	8,9,10,12	PE364TC-60-2	\$5,286.78
		230/460	364TSC	NEWT	93.6	146-132/66	31.4	805	8,9,10,12	PE364TSC-60-2	\$5,286.78
	1800	230/460	364TC	NEPE	95.0	154-139/69.5	32.5	800	8,9,10,12	PE364TC-60-4	\$5,388.55
		230/460	364TSC	NEPE	95.0	154-139/69.5	30.4	800	8,9,10,12	PE364TSC-60-4	\$5,388.55
	1200	230/460	404TC	NEPE	94.5	154 - 140 / 70	38	1000	8,9,10,12,13,15,18	PE404TC-60-6	\$6,420.41
75	3600	230/460	365TC	NEWT	93.6	184-166/83	33.5	857	8,9,10,12	PE365TC-75-2	\$5,341.11
		230/460	365TSC	NEWT	93.6	184-166/83	31.4	857	8,9,10,12	PE365TSC-75-2	\$5,341.05
	1800	230/460	365TC	NEPE	95.4	193-174/87	33.5	881	8,9,10,12	PE365TC-75-4	\$5,961.82
		230/460	365TSC	NEPE	95.4	193-174/87	31.4	881	8,9,10,12	PE365TSC-75-4	\$5,961.82
	1200	230/460	405TC	NEPE	94.5	193 - 174 / 87	38	1126	8,9,10,12,13,15,18	PE405TC-75-6	\$7,910.86
100	3600	230/460	405TC	NEWT	94.1	248-224/112	38	1148	8,9,10,12	PE405TC-100-2	\$8,281.69
		230/460	405TSC	NEWT	94.1	248-224/112	35	1148	8,9,10,12	PE405TSC-100-2	\$8,281.69
	1800	230/460	405TC	NEPE	95.4	248-224/112	38	1228	8,9,10,12	PE405TC-100-4	\$7,796.23
		230/460	405TSC	NEPE	95.4	248-224/112	35	1228	8,9,10,12	PE405TSC-100-4	\$7,796.23
	1200	230/460	444TC	NEPE	95.0	250 - 232 / 116	44.3	1416	8,9,10,12,13,15,18	PE444TC-100-6	\$10,548.37
125	3600	460	444TSC	NEWT	95.0	140	40.6	1383	8,9,11,12	PE444TSC-125-2	\$10,230.71
		460	444TC	NEPE	95.4	145	44.3	1523	8,9,11,12	PE444TC-125-4	\$10,299.65
	1800	460	444TC	NEPE	95.4	145	44.3	1523	8,9,11,12,13	PE444TC-125-4-IN	\$12,768.85
		460	444TSC	NEPE	95.4	145	40.6	1523	8,9,11,12,13	PE444TSC-125-4	\$10,299.65
	1200	460	445TC	NEPE	95.0	147	44.3	1614	8,9,10,12,13,15,18	PE445TC-125-6	\$11,235.77
150	3600	460	445TSC	NEPE	95.0	166	40.6	1511	8,9,11,12,13	PE445TSC-150-2	\$12,574.03
		460	445TC	NEPE	95.8	171	44.3	1735	8,9,11,12	PE445TC-150-4	\$12,399.05
	1800	460	445TC	NEPE	95.8	171	44.3	1735	8,9,11,12,13	PE445TC-150-4-IN	\$14,299.79
		460	445TSC	NEPE	95.8	171	40.6	1735	8,9,11,12	PE445TSC-150-4	\$12,399.05
	1200	460	447TC	NEPE	95.8	173	47.8	1878	8,9,10,12,13,15,18	PE447TC-150-6	\$13,613.26

11
NAE Motors

Section 11: North American Electric Motors



General Purpose | C-Flange w/Feet | Heavy Duty Cast Iron (Continued...)

Three-Phase | 230/460 Volt

HP	RPM	Volts	Frame	Flange	FL Eff. (%)	FL Amps (A)	"C" Dim (in.)	Weight (lbs.)	Notes *	Model Number	List Price
200	3600	460	447TSC	NEPE	95.4	222	44.1	1813	8,9,11,12	PE447TSC-200-2	\$15,774.60
	1800	460	447TC	NEPE	96.2	220	47.8	1942	9,11,12,15	PE447TC-200-4	\$14,467.74
		460	447TC	NEPE	96.2	220	47.8	1942	8,9,11,12,13	PE447TC-200-4-IN	\$16,368.43
		460	447TSC	NEPE	96.2	220	44.1	1918	8,9,11,12	PE447TSC-200-4	\$14,467.74
		1200	460	449TC	NEPE	95.8	230	52.8	2203	8,9,10,12,13,15,18	PE449TC-200-6
250	3600	460	449TSC	NEPE	95.8	266	49.1	2006	8,9,11,12	PE449TSC-250-2	\$15,148.85
	1800	460	449TC	NEPE	96.2	275	52.8	2116	9,11,12,15	PE449TC-250-4	\$13,322.06
		460	449TC	NEPE	96.2	275	52.8	2116	8,9,11,12,13	PE449TC-250-4-IN	\$14,921.35
		1200	460	449TC	NEPE	95.8	280	52.8	2439	8,9,10,12,13,15,18	PE449TC-250-6
300	3600	460	449TSC	NEPE	95.8	320	49.1	2139	8,9,11,12	PE449TSC-300-2	\$17,793.92
	1800	460	449TC	NEPE	96.2	330	52.8	2248	8,9,11,12	PE449TC-300-4	\$18,145.59
		460	449TC	NEPE	96.2	330	52.8	2248	8,9,11,12,13	PE449TC-300-4-IN	\$20,223.26
		1200	460	449TC	NEPE	95.8	357	52.8	2736	8,9,10,12,13,15,18	PE449TC-300-6

Notes:

- 8. NEMA Premium® (NEMA MG-1, Table 12-12)
- 9. Inverter Duty (20:1 Variable Torque; 10:1 Constant Torque)
- 10. 12-lead part wind start at 208-230V
- 11. 6-lead part wind start at 460V
- 12. Ball bearing on drive end
- 13. Insulated bearing on opposite drive end
- 15. Inverter Rated (10:1 Variable Torque; 5:1 Constant Torque)
- 18. D-Flange conversion kits (see pg. 63)

General Purpose | C-Flange/Round Body | Heavy Duty Cast Iron Three-Phase | 230/460 Volt



Product Specifications

- 1-30 HP
- Enclosure: Totally enclosed fan cooled (TEFC)
- Frame: 143TC-449TC
- Inverter duty: (20:1 VT; 10:1 CT)
- Service factor: 1.15 @ 60 Hz; 1.0 @ 50 Hz
- NEMA Design B Performance/ High starting torque
- F1/ F2 reversible
- Lifting provision
- Sealed bearings through 215T frame, regreasable open bearings on 254T frame and above
- Class F insulation system; Class B rise at full load; Class H vacuum pressure impregnation (VPI) resin for all windings
- Corrosion-resistant epoxy paint and stainless steel nameplate and zinc plated hardware
- IP55 protection
- Condensation drain with plugs
- NEMA MG- 1, Part 31, Table 12-12
- Class I, Div. II, Groups A, B, C, D, T2B; Class II, Div. II, Groups F, G
- 40° C ambient continuous duty
- Dual voltage ratings suitable for part wind start on lower voltage
- Windings rated for 2200V peak voltage spikes
- 3-year warranty (extended warranty available)



HP	RPM	Volts	Frame	FL Eff. (%)	FL Amps (A)	"C" Dim (in.)	Weight (lbs.)	Notes *	Model Number	List Price
1	1800	230/460	143TC	86.5	3.3-3/1.5	14.2	65	12	PE143TC-1-4-RB-AI	\$424.24
1.5	1800	230/460	145TC	89.5	4.9-4.4/2.2	14.2	68	12	PE145TC-1.5-4-RB-AI	\$442.83
2	1800	230/460	145TC	89.5	6.2-5.6/2.8	14.2	66	12	PE145TC-2-4-RB-AI	\$470.43
3	1800	230/460	182TC	91.0	8.8-8/4	16.8	101	12	PE182TC-3-4-RB-AI	\$788.70
5	1800	230/460	184TC	93.6	13.9-12.6/6.3	16.8	112	12	PE184TC-5-4-RB-AI	\$820.88
7.5	1800	230/460	213TC	94.1	19.9-18/9	20.7	189	12	PE213TC-7.5-4-RB-AI	\$1,139.15
10	1800	230/460	215TC	94.1	26.5-24/12	20.7	196	12	PE215TC-10-4-RB-AI	\$1,226.76
15	1800	230/460	254TC	95.4	39.8-36/18	25.7	328	12	PE254TC-15-4-RB-AI	\$1,747.96
20	1800	230/460	256TC	95.0	53.1-48/24	25.7	350	12	PE256TC-20-4-RB-AI	\$1,969.32
25	1800	230/460	284TC	96.2	63-57/28.5	28.8	462	12	PE284TC-25-4-RB-AI	\$2,421.84
30	1800	230/460	286TC	95.8	75.2-68/34	28.8	484	12	PE286TC-30-4-RB-AI	\$2,673.45

Notes:
12. Ball bearing on drive end

Crusher Duty | Design C | Heavy Duty Cast Iron Three-Phase | 230/460 Volt



Product Specifications



- 1-600 HP
- Enclosure: Totally enclosed fan cooled (TEFC)
- Frame: 143T-586/7UZ
- Inverter duty: 1-300 HP (20:1 VT; 10:1 CT)
- Inverter rated: 250-600 HP (10:1 VT; 5:1 CT)
- Service factor: 1.15 @ 60 Hz; 1.0 @ 50 Hz; Suitable for 575V @ 1.0
- NEMA Design C Performance/ High starting torque
- F1/F2 reversible through 449T frame
- Dual-drilled feet for mounting flexibility
- Lifting provisions
- Sealed bearings
- Class F insulation system; Class B rise at full load; Class H vacuum pressure impregnation (VPI) resin for all windings
- Heavy duty cast iron housing with corrosion-resistant epoxy paint, stainless steel nameplate and zinc plated hardware
- IP55 protection
- Condensation drain with plugs
- NEMA Design C-High Torque; NEMA MG- 1, Part 31, Table 12-12 (unless otherwise noted)
- Class I, Div. II, Groups A, B, C, D, T2B; Class II, Div. II, Groups F, G
- 40° C ambient continuous duty
- Dual voltage ratings suitable for part wind start on lower voltage; Single voltage (460V) ratings are suitable for part wind start
- Windings rated for 2200V peak voltage spikes
- 3-year warranty (extended warranty available)



HP	RPM	Volts	Frame	Flange	FL Eff. (%)	FL Amps (A)	"C" Dim (in.)	Weight (lbs.)	Notes *	Model Number	List Price
1	900	230/460	182T	NEWT	75.5	4.2-3.8/1.9	15.1	67	9, 21, 22	PE182T-1-8C	\$478.90
	1800	230/460	143T	NEWT	85.5	1.5	13.6	47	9, 8, 22	PE143T-1-4C	\$362.60
	1200	230/460	145T	NEWT	82.5	1.8	14.6	60	9, 8, 22	PE145T-1-6C	\$470.00
1.5	900	230/460	184T	NEWT	78.5	5.8-5.3/2.65	16.1	78	9, 21, 22	PE184T-1.5-8C	\$554.23
	1800	230/460	145T	NEWT	86.5	2.2	14.6	50	9, 8, 22	PE145T-1.5-4C	\$404.08
	1200	230/460	182T	NEWT	87.5	2.4	16.1	95	9, 8, 22	PE182T-1.5-6C	\$659.10
2	900	230/460	213T	NEWT	84.0	7.5-6.8/3.4	18.9	132	9, 21, 22	PE213T-2-8C	\$815.58
	1800	230/460	145T	NEWT	86.5	3.1	14.6	51	9, 8, 22	PE145T-2-4C	\$423.41
	1200	230/460	184T	NEWT	88.5	3.2	17.1	94	9, 8, 22	PE184T-2-6C	\$728.92
3	900	230/460	215T	NEWT	85.5	10.8-9.8/4.9	20.4	163	9, 21, 22	PE215T-3-8C	\$1,083.23
	1800	230/460	182T	NEWT	89.5	3.9	16.1	87	9, 8, 22	PE182T-3-4C	\$630.13
	1200	230/460	213T	NEPE	89.5	4.4	18.9	139	9, 8, 22	PE213T-3-6C	\$933.68
5	900	230/460	254T	NEWT	86.5	17.5-15.8/7.9	23.2	218	9, 21, 22	PE254T-5-8C	\$1,374.28
	1800	230/460	184T	NEWT	89.5	6.8	17.1	103	9, 8, 22	PE184T-5-4C	\$753.41
	1200	230/460	215T	NEPE	89.5	7.4	20.4	180	9, 8, 22	PE215T-5-6C	\$1,158.78
7.5	900	230/460	256T	NEWT	86.5	24.3-22/11	25	251	9,21,22	PE256T-7.5-8C	\$1,644.33
	1800	230/460	213T	NEPE	91.7	9.2	18.9	162	8,9,22	PE213T-7.5-4C	\$1,122.83
	1200	230/460	254T	NEPE	91.0	9.8	23.2	213	8,9,22	PE254T-7.5-6C	\$1,690.30
10	900	230/460	284T	NEWT	89.5	32.2-29.2/14.6	26.6	306	9,21,22	PE284T-10-8C	\$2,146.83
	1800	230/460	215T	NEPE	91.7	12	20.4	182	8,9,22	PE215T-10-4C	\$1,249.32
	1200	230/460	256T	NEPE	91.0	12.8	25	270	8,9,22	PE256T-10-6C	\$1,821.37
15	900	230/460	286T	NEWT	89.5	47-43/21.5	28.1	352	9,21,22	PE286T-15-8C	\$2,525.27
	1800	230/460	254T	NEPE	92.4	19	23.2	256	8,9,22	PE254T-15-4C	\$1,903.88
	1200	230/460	284T	NEWT	91.7	19	26.6	317	8,9,22	PE284T-15-6C	\$2,270.75
20	900	230/460	324T	NEWT	90.2	61-56/28	29.8	491	9,21,22	PE324T-20-8C	\$3,230.06
	1800	230/460	256T	NEPE	93.0	24.2	25	301	8,9,22	PE256T-20-4C	\$2,142.85
	1200	230/460	286T	NEWT	91.7	25	28.1	351	9,24,22	PE286T-20-6C	\$2,563.46
25	900	230/460	326T	NEWT	90.2	77-70/35	31.3	508	9,21,22	PE326T-25-8C	\$3,509.10
	1800	230/460	284T	NEWT	93.6	30	26.6	364	8,9,22	PE284T-25-4C	\$2,541.36
	1200	230/460	324T	NEWT	93.0	30.5	29.8	477	8,9,22	PE324T-25-6C	\$3,303.67
30	900	230/460	364T	NEWT	91.7	88-80/40	32.5	671	9,21,22	PE364T-30-8C	\$4,540.85
	1800	230/460	286T	NEWT	93.6	35.3	28.1	409	8,9,22	PE286T-30-4C	\$2,746.99
	1200	230/460	326T	NEWT	93.0	35.9	31.3	517	8,9,22	PE326T-30-6C	\$3,630.02

Section 11: North American Electric Motors



Crusher Duty | Design C | Heavy Duty Cast Iron (Continued...)

Three-Phase | 230/460 Volt

HP	RPM	Volts	Frame	Flange	FL Eff. (%)	FL Amps (A)	"C" Dim (in.)	Weight (lbs.)	Notes *	Model Number	List Price
40	900	230/460	365T	NEWT	91.7	115-105/52.5	33.5	719	9,21,22	PE365T-40-8C	\$4,981.10
	1800	230/460	324T	NEWT	94.1	46.6	29.8	513	8,9,22	PE324T-40-4C	\$3,686.88
	1200	230/460	364T	NEPE	94.1	50	32.5	740	8,9,22	PE364T-40-6C	\$5,073.50
50	900	230/460	404T	NEWT	92.4	139-126/63	36.5	902	9,21,22	PE404T-50-8C	\$6,329.56
	1800	230/460	326T	NEWT	94.5	58.3	31.3	580	8,9,22	PE326T-50-4C	\$4,013.23
	1200	230/460	365T	NEPE	94.1	62	33.5	753	8,9,22	PE365T-50-6C	\$5,634.04
60	900	230/460	405T	NEWT	92.4	160-152/76	38	990	9,21,22	PE405T-60-8C	\$7,763.26
	1800	230/460	364T	NEPE	95.0	69.5	32.5	744	8,9,22	PE364T-60-4C	\$5,545.56
	1200	230/460	404T	NEPE	94.5	70	38	1096	8,9,22	PE404T-60-6C	\$6,607.39
75	900	230/460	444T	NEWT	93.6	210-190/95	44.3	1353	9,21,22	PE444T-75-8C	\$11,466.67
	1800	230/460	365T	NEPE	95.4	87	33.5	833	8,9,22	PE365T-75-4C	\$6,135.47
	1200	230/460	405T	NEPE	94.5	87	38	1140	8,9,22	PE405T-75-6C	\$8,141.29
100	900	230/460	445T	NEWT	93.6	276-250/125	44.3	1452	9,21,22	PE445T-100-8C	\$12,902.00
	1800	230/460	405T	NEPE	95.4	112	40	1228	8,9,22	PE405T-100-4C	\$8,834.20
	1200	230/460	444T	NEPE	95.0	118	44.3	1536	8,9,22	PE444T-100-6C	\$10,855.64
125	900	460	447T	NEWT	94.1	158	47.8	1680	9,21,23	PE447T-125-8C	\$15,686.49
	1800	460	444T	NEPE	95.4	145	44.3	1532	8,9,23	PE444T-125-4C	\$10,599.67
	1200	460	445T	NEPE	95.0	150	44.3	1644	8,9,23	PE445T-125-6C	\$11,563.00
150	900	460	449T	NEPE	94.1	180	52.8	1975	9,21,23	PE449T-150-8C	\$15,315.47
	1800	460	445T	NEPE	95.8	173	44.3	1597	8,9,23	PE445T-150-4C	\$12,760.24
	1200	460	447T	NEPE	95.8	177	47.8	1821	8,9,23	PE447T-150-6C	\$14,009.80
200	1800	460	447T	NEPE	96.2	220	47.8	1850	8,9,23	PE447T-200-4C	\$14,889.19
	1200	460	449T	NEPE	95.8	235	52.8	2175	8,9,23	PE449T-200-6C	\$16,017.08
250	1800	460	449T	NEPE	95.0	283	52.8	2120	8,9,23	PE449T-250-4C	\$13,500.51
		460	505UZ	NEPE	96.2	275	62.4	2300	9,21,23	PE505UZ-250-4C	\$16,521.35
	1200	460	449T	NEPE	95.0	280	52.8	2323	8,9,23	PE449T-250-6C	\$16,830.33
		460	505UZ	NEPE	95.8	280	62.4	2800	9,21,23	PE505UZ-250-6C	\$19,668.16
300	1800	460	449T	NEPE	95.4	335	52.8	2220	8,9,23	PE449T-300-4C	\$18,818.90
		460	505UZ	NEPE	96.2	330	62.4	2600	9,21,23	PE505UZ-300-4C	\$19,668.16
	1200	460	449T	NEPE	95.0	357	52.8	2532	8,9,23	PE449T-300-6C	\$20,065.74
		460	505UZ	NEPE	95.8	338	62.4	3160	9,21,23	PE505UZ-300-6C	\$23,602.45
		460	587UZ	NC58	95.0	332	71.7	5330.6	9,21,23	PE587UZ-300-6C	\$29,645.83
350	1800	460	505UZ	NEPE	96.2	390	62.4	2900	9,21,23	PE505UZ-350-4C	\$23,222.13
		460	587UZ	NC58	96.2	378.5	71.7	4846.6	8,14,15,16	PE587UZ-350-4C	\$27,629.58
	1200	460	505UZ	NEPE	95.8	393	62.4	3440	9,21,23	PE505UZ-350-6C	\$27,142.99
		460	587UZ	NC58	95.8	390.4	71.7	5176	8,14,15,16	PE587UZ-350-6C	\$32,415.17
400	1800	460	587UZ	NC58	96.2	434.9	71.7	4983	8,14,15,16	PE587UZ-400-4C	\$30,402.92
	1200	460	587UZ	NC58	95.8	448.6	71.7	5940	8,14,15,16	PE587UZ-400-6C	\$35,937.59
450	1800	460	587UZ	NC58	96.2	487.2	71.7	5370	8,14,15,16	PE587UZ-450-4C	\$34,562.90
	1200	460	587UZ	NC58	96.2	504.7	71.7	6041.2	8,14,15,16	PE587UZ-450-6C	\$38,906.19
500	1800	460	587UZ	NC58	96.2	558.1	71.7	5687	8,14,15,16	PE587UZ-500-4C	\$37,256.54
	1200	460	587UZ	NC58	95.8	563.1	71.7	6190.8	8,14,15,16	PE587UZ-500-6C	\$42,795.21
600	1800	460	587UZ	NC58	96.2	669.6	71.7	5946.6	8,14,15,16	PE587UZ-600-4C	\$51,877.39

Notes:

- 8. NEMA Premium (MG-1, Table 12-12)
- 9. Inverter Duty (20:1 Variable Torque; 10:1 Constant

Torque)

- 14. Equipped with terminal blocks as standard
- 15. Inverter Rated (10:1 Variable Torque; 5:1 Constant Torque)

16. C- and D- Flange conversion kits (see pg. 63)

- 21. EISA Compliant (MG-1, Part 31, Table 12-11)
- 22. Part wind start capable at 230V
- 23. Part wind start capable at 480V

Crusher Duty | C-Flange w/Feet | Heavy Duty Cast Iron Three-Phase | 230/460 Volt



Product Specifications

- 1-300 HP
- Enclosure: Totally enclosed fan cooled (TEFC)
- Frame: 143TC-449TC
- Inverter duty: 1-300 HP (20:1 VT; 10:1 CT)
- Service factor: 1.15 @ 60 Hz; 1.0 @ 50 Hz
- NEMA Design C Performance/ High starting torque
- F1/F2 reversible
- Dual-drilled feet for mounting flexibility
- Lifting provision
- Sealed bearings
- Class F insulation system; Class B rise at full load; Class H vacuum pressure impregnation (VPI) resin for all windings
- Heavy duty cast iron housing with corrosion-

- resistant epoxy paint, stainless steel nameplate and zinc plated hardware
- IP55 protection
- Condensation drain with plugs
- NEMA Design C-High Torque; NEMA MG- 1, Part 31, Table 12-12 (unless otherwise noted)
- Class I, Div. II, Groups A, B, C, D, T2B; Class II, Div. II, Groups F, G
- 40° C ambient continuous duty
- Dual voltage ratings suitable for part wind start on lower voltage; Single voltage (460V) ratings are suitable for part wind start
- Windings rated for 2200V peak voltage spikes
- 3-year warranty (extended warranty available)



HP	RPM	Volts	Frame	Flange	FL Eff. (%)	FL Amps (A)	"C" Dim (in.)	Weight (lbs.)	Notes *	Model Number	List Price
1	1800	230/460	143TC	NEWT	85.5	1.5	12.6	47	8,9,12,22	PE143TC-1-4C	\$373.41
	1200	230/460	145TC	NEWT	82.5	1.8	14.6	60	8,9,12,22	PE145TC-1-6C	\$484.11
1.5	1800	230/460	145TC	NEWT	86.5	2.2	14.6	50	8,9,12,22	PE145TC-1.5-4C	\$416.21
	1200	230/460	182TC	NEWT	87.5	2.4	16.1	95	8,9,12,22	PE182TC-1.5-6C	\$678.87
2	1800	230/460	145TC	NEWT	86.5	3.1	14.6	51	8,9,12,22	PE145TC-2-4C	\$436.11
	1200	230/460	184TC	NEWT	88.5	3.2	17.1	94	8,9,12,22	PE184TC-2-6C	\$750.77
3	1800	230/460	182TC	NEWT	89.5	3.9	16.1	87	8,9,12,22	PE182TC-3-4C	\$649.07
	1200	230/460	213TC	NEPE	89.5	4.4	18.9	139	8,9,12,22	PE213TC-3-6C	\$961.76
5	1800	230/460	184TC	NEWT	89.5	6.8	17.1	103	8,9,12,22	PE184TC-5-4C	\$776.04
	1200	230/460	215TC	NEPE	89.5	7.4	20.4	180	8,9,12,22	PE215TC-5-6C	\$1,193.55
7.5	1800	230/460	213TC	NEPE	91.7	9.2	18.9	162	8,9,12,22	PE213TC-7.5-4C	\$1,156.57
	1200	230/460	254TC	NEPE	91.0	9.8	23.2	213	8,9,12,22	PE254TC-7.5-6C	\$1,741.02
10	1800	230/460	215TC	NEWT	91.7	12	20.4	182	8,9,12,22	PE215TC-10-4C	\$1,286.84
	1200	230/460	256TC	NEPE	91.0	12.8	25	270	8,9,12,22	PE256TC-10-6C	\$1,876.00
15	1800	230/460	254TC	NEPE	92.4	19	23.2	256	8,9,12,22	PE254TC-15-4C	\$1,961.04
	1200	230/460	284TC	NEWT	91.7	19	26.6	317	8,9,12,22	PE284TC-15-6C	\$2,338.83
20	1800	230/460	256TC	NEPE	93.0	24.2	25	301	8,9,12,22	PE256TC-20-4C	\$2,207.12
	1200	230/460	286TC	NEWT	91.7	25	28.1	351	8,9,12,22	PE286TC-20-6C	\$2,640.36
25	1800	230/460	284TC	NEWT	93.6	30	26.6	364	8,9,12,22	PE284TC-25-4C	\$2,617.64
	1200	230/460	324TC	NEWT	93.0	30.5	29.8	477	8,9,12,22	PE324TC-25-6C	\$3,402.73
30	1800	230/460	286TC	NEWT	93.6	35.3	28.1	409	8,9,12,22	PE286TC-30-4C	\$2,829.31
	1200	230/460	326TC	NEWT	93.0	35.9	31.3	517	8,9,12,22	PE326TC-30-6C	\$3,739.05
40	1800	230/460	324TC	NEWT	94.1	46.6	29.8	513	8,9,12,22	PE324TC-40-4C	\$3,797.38
	1200	230/460	364TC	NEPE	94.1	50	32.5	740	8,9,12,22	PE364TC-40-6C	\$5,225.74
50	1800	230/460	326TC	NEWT	94.5	58.3	31.3	580	8,9,12,22	PE326TC-50-4C	\$4,133.61
	1200	230/460	365TC	NEPE	94.1	62	33.5	753	8,9,12,22	PE365TC-50-6C	\$5,802.96
60	1800	230/460	364TC	NEPE	95.0	69.5	32.5	744	8,9,12,22	PE364TC-60-4C	\$5,711.95
	1200	230/460	404TC	NEPE	94.5	70	38	1096	8,9,12,22	PE404TC-60-6C	\$6,805.69
75	1800	230/460	365TC	NEPE	95.4	87	33.5	833	8,9,12,22	PE365TC-75-4C	\$6,319.53
	1200	230/460	405TC	NEPE	94.5	87	38	1140	8,9,12,22	PE405TC-75-6C	\$8,385.50
100	1800	230/460	405TC	NEPE	95.4	112	38	1228	8,9,12,22	PE405TC-100-4C	\$9,099.23
	1200	230/460	444TC	NEPE	95.0	118	44.3	1536	8,9,12,22	PE444TC-100-6C	\$11,181.21

Section 11: North American Electric Motors



Crusher Duty | C-Flange w/Feet | Heavy Duty Cast Iron (Continued...)

Three-Phase | 230/460 Volt

HP	RPM	Volts	Frame	Flange	Full Load % Efficiency	Full Load Amps	"C" Dim (in.)	Weight (lbs.)	Notes *	Model Number	List Price
125	1800	460	444TC	NEPE	95.4	145	44.3	1532	8,9,12,23	PE444TC-125-4C	\$10,917.56
	1200	460	445TC	NEPE	95.0	150	44.3	1644	8,9,12,23	PE445TC-125-6C	\$11,909.85
150	1800	460	445TC	NEPE	95.8	173	44.3	1597	8,9,12,23	PE445TC-150-4C	\$13,143.08
	1200	460	447TC	NEPE	95.8	177	47.8	1821	8,9,12,23	PE447TC-150-6C	\$14,430.10
200	1800	460	447TC	NEPE	96.2	220	47.8	1850	8,9,12,23	PE447TC-200-4C	\$15,335.88
	1200	460	449TC	NEPE	95.8	235	52.8	2175	8,9,12,23	PE449TC-200-6C	\$16,497.55
250	1800	460	449TC	NEPE	95.0	283	52.8	2120	8,9,12,23	PE449TC-250-4C	\$13,905.53
	1200	460	449TC	NEPE	95.0	280	52.8	2323	8,9,12,23	PE449TC-250-6C	\$17,335.21
300	1800	460	449TC	NEPE	95.4	335	52.8	2220	8,9,12,23	PE449TC-300-4C	\$19,383.57
	1200	460	449TC	NEPE	95.0	357	52.8	2532	8,9,12,23	PE449TC-300-6C	\$20,667.73

Notes:

- 8. NEMA Premium (MG-1, Table 12-12)
- 9. Inverter Duty (20:1 Variable Torque; 10:1 Constant Torque)
- 12. Ball bearing on drive end
- 18. D-Flange conversion kits (see pg. 63)
- 22. Part wind start capable at 230V
- 23. Part wind start capable at 480V

Explosion Proof | Cast Iron Three-Phase | 230/460 Volt

Product Specifications

- Phases and HP: 3-Phase, 1-250 HP
- Enclosure: Totally enclosed explosion proof (TEXP)
- Frame: 143T-449T
- Inverter rated: (10:1 VT; 5:1 CT)
- Service factor: 1.15 @ 60 Hz; 1.0 @ 50 Hz
- NEMA Design B Performance
- F1/F2 reversible
- Dual-drilled feet for mounting flexibility
- Lifting provisions
- Sealed bearings
- 2-year warranty
- Class F insulation system; Class B rise at full load; Class H vacuum pressure impregnation (VPI) resin for all windings
- Stainless steel nameplate and zinc plated hardware, corrosion resistant epoxy paint
- IP55 protection
- Cast iron frame construction
- NEMA MG- 1, Table 12-12
- 143-215T frame: Class I, Div. I, Groups C, D and Class II, Div. I, Groups F, G:
- T3C, w/ ambient temp rating: -20°C to 55°C @ 1.15 SF
- T3C w/ ambient temp rating: -20°C to 40°C @ 1.0 SF for Inverter Duty
- 254-449T frame: Class I, Div. I, Groups C, D:
- T3C, w/ ambient temp rating: -20°C to 40°C @ 1.15 SF for Inverter Duty
- T2B, w/ ambient temp rating: 20°C to 55°C @ 1.15 SF, or 1.0 SF for Inverter Duty
- Class II, Div. I, Groups F, G:
- T3C, w/ ambient temp rating: -20°C to 40°C @ 1.15 SF, or 1.0 SF for Inverter Duty
- Dual voltage ratings suitable for part wind start on lower voltage



HP	RPM	Volts	Frame	Flange	FL Eff. (%)	FL Amps (A)	"C" Dim (in.)	Weight (lbs.)	Notes *	Model Number	List Price
1	1800	230/460	143T	XP-1	85.5	3-2.7/1.35	12.6	90	5,12,26	PEXP143T-1-4	\$813.96
	1200	230/460	145T	XP-1	82.5	3.6-3.3/1.65	14.6	84	5,12,26	PEXP145T-1-6	\$896.23
1.5	3600	230/460	143T	XP-1	84.0	4.1-3.7/1.85	12.6	86	5,12,26	PEXP143T-1.5-2	\$832.22
	1800	230/460	145T	XP-1	86.5	4.3-3.9/1.95	14.6	90	5,12,26	PEXP145T-1.5-4	\$896.23
	1200	230/460	182T	XP-1	87.5	4.6-4.1/2.07	18.43	132	5,12,26	PEXP182T-1.5-6	\$1,019.69
2	3600	230/460	145T	XP-1	85.5	5.5-5/2.5	14.6	86	5,12,26	PEXP145T-2-2	\$928.24
	1800	230/460	145T	XP-1	86.5	5.8-5.2/2.6	14.6	88	5,12,26	PEXP145T-2-4	\$1,019.69
	1200	230/460	184T	XP-1	88.5	6.2-5.6/2.8	18.43	143	5,12	PEXP184T-2-6	\$1,289.49
3	3600	230/460	182T	XP-1	86.5	7.7-7/3.5	16.1	134	5,12,26	PEXP182T-3-2	\$1,179.78
	1800	230/460	182T	XP-1	89.5	8.4-7.6/3.8	16.1	143	5,12,26	PEXP182T-3-4	\$1,239.23
	1200	230/460	213T	XP-1	89.5	8.7-7.9/3.95	18.9	248	5,12	PEXP213T-3-6	\$1,518.16
5	3600	230/460	184T	XP-1	88.5	13.3-12/6	17.1	135	5,12	PEXP184T-5-2	\$1,467.84
	1800	230/460	184T	XP-1	89.5	15.5-14/7	17.1	146	5,12	PEXP184T-5-4	\$1,467.84
	1200	230/460	215T	XP-1	89.5	16.6-15/7.5	20.4	256	5,12	PEXP215T-5-6	\$2,012.00
7.5	3600	230/460	213T	XP-1	89.5	18.4-16.6/8.3	18.9	249	5,12	PEXP213T-7.5-2	\$1,733.07
	1800	230/460	213T	XP-1	91.7	19.7-17.8/8.9	18.9	265	5,12	PEXP213T-7.5-4	\$1,920.55
	1200	230/460	254T	XP-1	91.0	27.6-25/12.5	23.2	401	5,12	PEXP254T-7.5-6	\$2,281.80
10	3600	230/460	215T	XP-1	90.2	25.4-23/11.5	20.4	251	5,12	PEXP215T-10-2	\$2,007.44
	1800	230/460	215T	XP-1	91.7	27-24.4/12.2	20.4	268	5,12	PEXP215T-10-4	\$2,071.45
	1200	230/460	256T	XP-1	91.0	27.6-25/12.5	25	385	5,12	PEXP256T-10-6	\$2,825.96
15	3600	230/460	254T	XP-1	91.0	36.5-33/16.5	23.2	390	5,12	PEXP254T-15-2	\$2,812.22
	1800	230/460	254T	XP-1	92.4	38.7-35/17.5	24.95	425	5,12	PEXP254T-15-4	\$2,812.22
	1200	230/460	284T	XP-1	91.7	50.4-45.6/22.8	26.6	529	5,12	PEXP284T-15-6	\$3,676.50
20	3600	230/460	256T	XP-1	91.0	50.4-45.6/22.8	25	396	5,12	PEXP256T-20-2	\$3,086.58
	1800	230/460	256T	XP-1	93.0	50.9-46/23	25	423	5,12	PEXP256T-20-4	\$3,210.04
	1200	230/460	286T	XP-1	91.7	52-47/23.5	28.54	558	5,12	PEXP286T-20-6	\$4,462.96
25	3600	230/460	284TS	XP-1	91.7	60.8-55/27.5	27.17	526	5,12	PEXP284TS-25-2	\$3,662.94
	1800	230/460	284T	XP-1	93.6	60.8-55/27.5	28.54	575	5,12	PEXP284T-25-4	\$3,720.80
	1200	230/460	324T	XP-1	93.0	64.1-58/29	31.75	685	5,12	PEXP324T-25-6	\$5,024.87

Section 11: North American Electric Motors



Explosion Proof | Cast Iron (Continued...)

Three-Phase | 230/460 Volt

HP	RPM	Volts	Frame	Flange	FL Eff. (%)	FL Amps (A)	"C" Dim (in.)	Weight (lbs.)	Notes *	Model Number	List Price
30	3600	230/460	286TS	XP-1	91.7	71.9-65/32.5	27.17	540	5,12	PEXP286TS-30-2	\$4,379.56
	1800	230/460	286T	XP-1	93.6	71.9-65/32.5	28.54	586	5,12	PEXP286T-30-4	\$4,223.74
	1200	230/460	326T	XP-1	93.0	76.3-69/34.5	31.75	727	5,12	PEXP326T-30-6	\$6,262.20
40	3600	230/460	324TS	XP-1	92.4	98.4-89/44.5	30.27	707	5,12	PEXP324TS-40-2	\$5,149.54
	1800	230/460	324T	XP-1	94.1	98.4-89/44.5	31.75	764	5,12	PEXP324T-40-4	\$5,429.91
	1200	230/460	364T	XP-1	94.1	101.7-92/46	34.84	967	5,12	PEXP364T-40-6	\$7,441.66
50	3600	230/460	326TS	XP-1	93.0	119.4-108/54	30.27	771	5,12	PEXP326TS-50-2	\$6,934.28
	1800	230/460	326T	XP-1	94.5	121.6-110/55	31.75	784	5,12	PEXP326T-50-4	\$6,578.22
	1200	230/460	365T	XP-1	94.1	125-113/56.5	37.7	1003	5,12	PEXP365T-50-6	\$8,291.72
60	3600	230/460	364TS	XP-1	93.6	144.9-131/65.5	32.7	978	5,12	PEXP364TS-60-2	\$7,753.18
	1800	230/460	364T	XP-1	95.0	147.1-133/66.5	34.84	1036	5,12	PEXP364T-60-4	\$8,082.53
	1200	230/460	404T	XP-1	94.5	152.6-138/69	38.58	1311	5,12	PEXP404T-60-6	\$10,299.02
75	3600	230/460	365TS	XP-1	93.6	186.9-169/84.5	35.55	983	5,12	PEXP365TS-75-2	\$10,031.98
	1800	230/460	365T	XP-1	95.4	191.3-173/86.5	37.7	1080	5,12	PEXP365T-75-4	\$9,181.87
	1200	230/460	405T	XP-1	94.5	185.8-168/84	38.58	1322	5,12	PEXP405T-75-6	\$11,772.24
100	3600	230/460	405TS	XP-1	94.1	240.6-217.6/108.8	35.63	1310	5,12	PEXP405TS-100-2	\$11,772.24
	1800	230/460	405T	XP-1	95.4	242.2-219/109.5	38.58	1203	5,12	PEXP405T-100-4	\$11,838.99
	1200	460	444T	XP-1	95.0	117	46.15	1898	5,12	PEXP444T-100-6	\$16,463.32
125	3600	460	444TS	XP-1	95.0	130	42.4	1884	5,12,25	PEXP444TS-125-2	\$14,723.06
	1800	460	444T	XP-1	95.4	133	46.15	2083	5,12,25	PEXP444T-125-4	\$14,838.78
	1200	460	445T	XP-1	95.0	135	46.15	1995	5,12,25	PEXP445T-125-6	\$20,638.14
150	3600	460	445TS	XP-1	95.0	160	42.4	1906	5,12,25	PEXP445TS-150-2	\$20,580.27
	1800	460	445T	XP-1	95.8	162.5	46.15	2072	5,12,25	PEXP445T-150-4	\$22,284.89
	1200	460	447T	XP-1	95.8	166	55.31	2580	5,12,25	PEXP447T-150-6	\$25,934.50
200	3600	460	447TS	XP-1	95.4	213.5	51.38	2204	5,25	PEXP447TS-200-2	\$25,947.88
	1800	460	447T	XP-1	96.2	217	55.31	2654	5,25	PEXP447T-200-4	\$25,947.88
	1200	460	449T	XP-1	95.8	227.5	55.31	2744	5,25	PEXP449T-200-6	\$29,904.57
250	3600	460	449TS	XP-1	95.8	262	51.38	2504	5,25	PEXP449TS-250-2	\$29,280.03
	1800	460	449T	XP-1	96.2	268	55.31	2680	5,25	PEXP449T-250-4	\$28,416.82

Notes:

- 5. C-Flange conversion kits (see pg. 66)
- 12. Ball bearing on drive end
- 25. 460V only
- 26. Suitable for part wind start at 208-230V

11

NAE Motors

Section 11: North American Electric Motors



Premium Efficient | Close-coupled Pump | TEFC Enclosure | JM Frame
 Three-Phase | 230/460 Volt



Product Specifications

- 1-75 HP
- 3600 and 1800 RPM
- 230/460 Volt
- Totally Enclosed Fan Cooled (TEFC) Enclosure
- IP55 Protection
- 1.15 SF, Suitable for 50 Hz with 1.0 SF
- Class F Insulation
- Premium Efficiency
- Inverter Duty, 10:1 CT / 20:1 VT (1.0 SF)
- NEMA MG-1, Table 12-12
- Class 1, Division 2, Groups A, B, C, D T2B; Class II, Div. II, Groups F, G
- F1/F2 Convertible



HP	RPM	Volts	Frame	FL Eff. (%)	FL Amps (A)	"C" Dim (in.)	Weight (lbs.)	Model Number	List Price
1	1800	230/460	143JM	85.5	3.2-3/1.5	16.2	45	PE143JM-1-4	\$378.33
1.5	3600	230/460	143JM	84.0	4.4-4/2	16.2	47	PE143JM-1.5-2	\$395.74
	1800	230/460	145JM	86.5	4.7-4.4/2.2	17.2	50	PE145JM-1.5-4	\$421.64
2	3600	230/460	145JM	85.5	5.8-5.3/2.65	17.2	49	PE145JM-2-2	\$436.13
	1800	230/460	145JM	86.5	6.6-6.2/3.1	17.2	49	PE145JM-2-4	\$441.74
3	3600	230/460	145JM	86.5	9-8.2/4.1	17.2	60	PE145JM-3-2	\$553.09
	3600	230/460	182JM	86.5	7.9-7.4/3.7	18.5	89	PE182JM-3-2	\$598.71
	1800	230/460	182JM	89.5	8.2-7.6/3.8	18.5	89	PE182JM-3-4	\$657.54
5	3600	230/460	184JM	88.5	13-11.6/5.8	19.5	108	PE184JM-5-2	\$735.01
	1800	230/460	184JM	89.5	14-13.6/6.8	19.5	96	PE184JM-5-4	\$786.20
7.5	3600	230/460	184JM	89.5	18.8-17.6/8.8	19.5	117	PE184JM-7.5-2	\$921.13
	3600	230/460	213JM	89.5	18.8-17.6/8.8	20.8	156	PE213JM-7.5-2	\$1,070.93
	1800	230/460	213JM	91.7	19.8-18.4/9.2	20.8	162	PE213JM-7.5-4	\$1,171.66
10	3600	230/460	215JM	90.2	23.9-22.8/11.4	22.3	166	PE215JM-10-2	\$1,171.66
	1800	230/460	215JM	91.7	26-24/12	22.3	179	PE215JM-10-4	\$1,303.62
15	3600	230/460	215JM	91.0	37-35/17.5	22.3	175	PE215JM-15-2	\$1,593.77
	3600	230/460	254JM	91.0	36.2-34.4/17.2	24.7	261	PE254JM-15-2	\$1,784.00
	1800	230/460	254JM	92.4	37.2-36.4/18.2	24.7	279	PE254JM-15-4	\$1,986.59
20	3600	230/460	256JM	91.0	48.5-46/23	26.5	288	PE256JM-20-2	\$2,099.07
	1800	230/460	256JM	93.0	51.8-48.4/24.2	26.5	322	PE256JM-20-4	\$2,235.84
25	3600	230/460	256JM	91.7	60-56/28	26.5	326	PE256JM-25-2	\$2,399.91
	3600	230/460	284JM	91.7	61-57/28.5	27.5	369	PE284JM-25-2	\$2,535.05
	1800	230/460	284JM	93.6	65-60/30	27.5	369	PE284JM-25-4	\$2,550.91
30	3600	230/460	286JM	91.7	74-69/34.5	29	401	PE286JM-30-2	\$2,689.81
	1800	230/460	286JM	93.6	76-70.6/35.3	29	429	PE286JM-30-4	\$2,866.27
40	3600	230/460	286JM	92.4	95-89/44.5	29	417	PE286JM-40-2	\$3,221.95
	3600	230/460	324JM	92.4	94.9-91/45.5	30.1	539	PE324JM-40-2	\$3,538.00
	1800	230/460	324JM	94.1	100-93.2/46.6	30.1	535	PE324JM-40-4	\$3,582.45
50	3600	230/460	326JM	93.0	124-116.2/58.1	31.6	568	PE326JM-50-2	\$3,783.41
	1800	230/460	326JM	94.5	124-116.6/58.3	31.6	591	PE326JM-50-4	\$3,899.70
60	3600	230/460	364JM	93.6	146-132/66	33.1	815	PE364JM-60-2	\$4,902.97
	1800	230/460	364JM	95.0	154-139/69.5	32.1	788	PE364JM-60-4	\$5,388.55
75	3600	230/460	365JM	93.6	184-166/83	33.1	853	PE365JM-75-2	\$4,953.30
	1800	230/460	365JM	95.4	193-174/87	33.1	833	PE365JM-75-4	\$5,961.86

11
NAE Motors

Section 11: North American Electric Motors



Premium Efficient | Close-coupled Pump | TEFC Enclosure | JP Frame Three-Phase | 230/460 Volt



Product Specifications

- 1-75 HP
- 3600 and 1800 RPM
- 230/460 Volt
- Totally Enclosed Fan Cooled (TEFC) Enclosure
- IP55 Protection
- 1.15 SF, Suitable for 50 Hz with 1.0 SF
- Class F Insulation
- Premium Efficiency
- Inverter Duty, 10:1 CT / 20:1 VT (1.0 SF)
- NEMA MG-1, Table 12-12
- Class 1, Division 2, Groups A, B, C, D T2B; Class II, Div. II, Groups F, G
- F1/F2 Convertible



HP	RPM	Volts	Frame	FL Eff. (%)	FL Amps (A)	"C" Dim (in.)	Weight (lbs.)	Model Number	List Price
1	1800	230/460	143JP	85.5	3.2-3/1.5	19.3	49	PE143JP-1-4	\$378.33
1.5	3600	230/460	143JP	84.0	4.4-4/2	19.3	47	PE143JP-1.5-2	\$395.74
	1800	230/460	145JP	86.5	4.7-4.4/2.2	20.3	53	PE145JP-1.5-4	\$421.64
2	3600	230/460	145JP	85.5	5.8-5.3/2.65	20.3	49	PE145JP-2-2	\$436.13
	1800	230/460	145JP	86.5	6.6-6.2/3.1	20.3	54	PE145JP-2-4	\$441.74
3	3600	230/460	145JP	86.5	9-8.2/4.1	20.3	56	PE145JP-3-2	\$553.09
	3600	230/460	182JP	86.5	7.9-7.4/3.7	21.6	89	PE182JP-3-2	\$598.71
	1800	230/460	182JP	89.5	8.2-7.6/3.8	21.6	90	PE182JP-3-4	\$657.54
5	3600	230/460	184JP	88.5	13-11.6/5.8	22.6	107	PE184JP-5-2	\$735.01
	1800	230/460	184JP	89.5	14-13.6/6.8	22.6	98	PE184JP-5-4	\$786.20
7.5	3600	230/460	184JP	89.5	18.8-17.6/8.8	22.6	119	PE184JP-7.5-2	\$921.13
	3600	230/460	213JP	89.5	18.8-17.6/8.8	24.7	160	PE213JP-7.5-2	\$1,070.93
	1800	230/460	213JP	91.7	19.8-18.4/9.2	24.7	159	PE213JP-7.5-4	\$1,171.66
10	3600	230/460	215JP	90.2	23.9-22.8/11.4	26.2	173	PE215JP-10-2	\$1,171.66
	1800	230/460	215JP	91.7	26-24/12	26.2	186	PE215JP-10-4	\$1,303.62
15	3600	230/460	215JP	91.0	37-35/17.5	26.2	189	PE215JP-15-2	\$1,593.77
	3600	230/460	254JP	91.0	36.2-34.4/17.2	27.6	261	PE254JP-15-2	\$1,784.00
	1800	230/460	254JP	92.4	37.2-36.4/18.2	27.6	281	PE254JP-15-4	\$1,986.59
20	3600	230/460	256JP	91.0	48.5-46/23	29.4	269	PE256JP-20-2	\$2,099.07
	1800	230/460	256JP	93.0	51.8-48.4/24.2	29.4	312	PE256JP-20-4	\$2,235.84
25	3600	230/460	256JP	91.7	60-56/28	29.4	326	PE256JP-25-2	\$2,399.91
	3600	230/460	284JP	91.7	61-57/28.5	30.4	371	PE284JP-25-2	\$2,535.05
	1800	230/460	284JP	93.6	65-60/30	30.4	395	PE284JP-25-4	\$2,550.91
30	3600	230/460	286JP	91.7	74-69/34.5	31.9	412	PE286JP-30-2	\$2,689.81
	1800	230/460	286JP	93.6	76-70.6/35.3	31.9	429	PE286JP-30-4	\$2,866.27
40	3600	230/460	286JP	92.4	95-89/44.5	31.9	425	PE286JP-40-2	\$3,221.95
	3600	230/460	324JP	92.4	94.9-91/45.5	32.9	542	PE324JP-40-2	\$3,538.00
	1800	230/460	324JP	94.1	100-93.2/46.6	32.9	530	PE324JP-40-4	\$3,582.45
50	3600	230/460	326JP	93.0	124-116.2/58.1	34.4	573	PE326JP-50-2	\$3,783.41
	1800	230/460	326JP	94.5	124-116.6/58.3	34.4	600	PE326JP-50-4	\$3,899.70
60	3600	230/460	364JP	93.6	146-132/66	36	818	PE364JP-60-2	\$4,902.97
	1800	230/460	364JP	95.0	154-139/69.5	35	789	PE364JP-60-4	\$5,388.55
75	3600	230/460	365JP	93.6	184-166/83	36	778	PE365JP-75-2	\$4,953.30
	1800	230/460	365JP	95.4	193-174/87	36	836	PE365JP-75-4	\$5,961.86

11
NAE Motors

VHS-V1 Series | Cast Iron/Plate Steel Three-Phase | 230/460 and 460 Volt



Product Specifications

- 10-500 HP
- Enclosure: Open weather-protected
- Machine Type 1-WP1
- Frame: 215TP-5008P
- Inverter rated: (10:1 VT)
- High/ Extra High Thrust
- Service factor: 1.15 @ 60 Hz
- NEMA Design B Performance
- High/ Extra High Thrust
- Oil bath with large reservoir (40-500 HP)
- Light weight hood for easy access lifting provisions
- Oversized angular contact bearing and ball bearing
- High thrust (10 HP—250 HP)
- Extra high thrust/ double stacked bearing available (100-500 HP)
- Non-reverse ratchet (ball type)
- 2-year warranty (extended)
- Class F insulation system; Class B rise at full load; Class H vacuum pressure impregnation (VPI) resin for all windings
- Stainless steel nameplate and zinc plated hardware, corrosion resistant epoxy paint
- Enclosure: WP1-open weather-protected machine type 1
- Cast iron/ plate steel frame construction
- Space heater
- Resistance temperature detector (RTD) (300-500 HP)
- Thermal protected
- 40° C ambient continuous duty
- Dual voltage ratings suitable for part wind start on 230V; single voltage ratings are suitable for part wind start at 230V
- Windings rated for 1600V peak voltage spike



HP	RPM	Volts	Frame	FL Eff. (%)	FL Amps (A)	"CD" Dim (in.)	"BD" Dim (in.)	DN Thrust	Weight (lbs.)	Notes	Model Number	List Price
10	1800	230/460	215TP	91.7	24.4/12.2	17.6	10	2500	366	26	V1-10D4-W21510A	\$3,240.03
15	1800	230/460	254TP	93.0	34.6/17.3	23.4	10	3200	493	26	V1-15D4-W25410A	\$3,950.18
20	1800	230/460	256TP	93.0	47/23.5	23.4	10	3200	510	26	V1-20D4-W25610A	\$4,127.71
25	1800	230/460	284TP	93.6	57.6/28.8	24.8	10	3200	554	26	V1-25D4-W28410A	\$4,255.20
		230/460	284TP	93.6	57.6/28.8	24.8	10	3200	554	26	V1-25D4-W28410B	\$4,255.20
30	1800	230/460	286TP	94.1	68.2/34.1	24.8	10	3200	572	26	V1-30D4-W28610A	\$4,514.40
		230/460	286TP	94.1	68.2/34.1	24.8	10	3200	572	26	V1-30D4-W28610B	\$4,514.40
		230/460	286TP	94.1	68.2/34.1	24.8	16.5	3200	572	26	V1-30D4-W28616B	\$4,514.40
40	1800	230/460	324TP	94.1	92/46	28.2	16.5	5500	780	26	V1-40D4-W32416A	\$6,112.80
		230/460	324TP	94.1	92/46	28.2	16.5	5500	780	26	V1-40D4-W32416B	\$6,112.80
		460	324TP	94.1	46	28.2	16.5	5500	780	27	V1-40S4-W32416A	\$6,112.80
		460	324TP	94.1	46	28.2	16.5	5500	780	26	V1-40S4-W32416B	\$6,112.80
50	1800	230/460	326TP	94.5	112.8/56.4	28.2	16.5	5500	811	26	V1-50D4-W32616A	\$6,609.60
		230/460	326TP	94.5	112.8/56.4	28.2	16.5	5500	811	26	V1-50D4-W32616B	\$6,609.60
		460	326TP	94.5	56.4	28.2	16.5	5500	811	27	V1-50S4-W32616A	\$6,609.60
		460	326TP	94.5	56.4	28.2	16.5	5500	811	28	V1-50S4-W32616B	\$6,609.60
60	1800	230/460	364TP	95.0	136.6/68.3	31.2	16.5	5600	1024	26	V1-60D4-W36416A	\$7,992.00
		230/460	364TP	95.0	136.6/68.3	31.2	16.5	5600	1024	26	V1-60D4-W36416B	\$7,992.00
		460	364TP	95.0	68.3	31.2	16.5	5600	1024	27	V1-60S4-W36416A	\$7,992.00
		460	364TP	95.0	68.3	31.2	16.5	5600	1024	27	V1-60S4-W36416B	\$7,992.00
75	1800	230/460	365TP	95.0	170/85	31.2	16.5	5600	1053	26	V1-75D4-W36516A	\$8,618.40
		230/460	365TP	95.0	170/85	31.2	16.5	5600	1053	26	V1-75D4-W36516B	\$8,618.40
		460	365TP	95.0	85	31.2	16.5	5600	1053	27	V1-75S4-W36516A	\$8,618.40
		460	365TP	95.0	85	31.2	16.5	5600	1053	27	V1-75S4-W36516B	\$8,618.40
100	1800	230/460	404TP	95.4	224/112	36.9	16.5	6700	1473	26	V1-100D4-W40416A	\$11,340.00
		230/460	404TP	95.4	224/112	36.9	16.5	6700	1473	26	V1-100D4-W40416B	\$11,340.00
		460	404TP	95.4	112	36.9	16.5	13400	1473	27,29	V1-100S4-W40416A-EHT	\$12,133.80
		460	404TP	95.4	112	36.9	16.5	6700	1473	27	V1-100S4-W40416A	\$11,340.00
125	1800	460	405TP	95.4	139	36.9	16.5	13400	1513	27,29	V1-125S4-W40516A-EHT	\$13,035.17
150	1800	460	444TP	95.8	165	44.8	16.5	14400	1984	27,29	V1-150S4-W44416A-EHT	\$16,899.49

Section 11: North American Electric Motors



VHS-V1 Series | Cast Iron/Plate Steel (Continued...)

Three-Phase | 230/460 and 460 Volt

HP	RPM	Volts	Frame	FL Eff. (%)	FL Amps (A)	"CD" Dim (in.)	"BD" Dim (in.)	DN Thrust	Weight (lbs.)	Notes *	Model Number	List Price
200	1800	460	445TP	95.8	221	44.8	16.5	14400	2099	27,29	V1-200S4-W44516A-EHT-14	\$21,263.04
		460	445TP	95.8	221	44.8	16.5	19000	2099	27,29	V1-200S4-W44516A-EHT-19	\$24,503.04
250	1800	460	445TP	95.8	276	44.8	16.5	14400	2206	27,29,34	V1-250S4-W44516A-EHT-14	\$24,063.19
		460	445TP	95.8	276	44.8	16.5	19000	2206	27,29,34	V1-250S4-W44516A-EHT-19	\$27,370.39
400	1800	460	5008P	95.8	437	53.9	24.5	24000	3955	27,28,29	V1-400S4-W500824A-EHT	\$45,000.00

Notes:

26. Suitable for part wind start at 230V

27. Suitable for part wind start at 460V

28. Zinc Plate Steel Frame Construction

29. Extra High Thrust, Double Stacked Bearing Design

30. Please reference pp. 60-61 for parts and accessories, or contact us at 800-884-0404 for assistance.

VHS-V2 Series | Cast Iron/Plate Steel Three-Phase | 230/460 and 460 Volt



Product Specifications

- 10-500 HP
- Enclosure: Open weather-protected
- Machine Type 1-WP1
- Frame: 215TP-5008P
- Inverter duty: (20:1 VT)
- High/ Extra High Thrust
- Service factor: 1.15 @ 60 Hz
- NEMA Design B Performance
- High/ Extra High Thrust
- Oil bath with large reservoir (40-500 HP)
- Light weight hood for easy access lifting provisions
- Oversized angular contact bearing and ball bearing
- High thrust (10 HP—250 HP)
- Extra high thrust/ double stacked bearing available (100-500 HP)
- Non-reverse ratchet (ball type)
- Class F insulation system; Class B rise at full load; Class H vacuum pressure impregnation (VPI) resin for all windings
- Stainless steel nameplate and zinc plated hardware, corrosion resistant epoxy paint
- Enclosure: WP1-open weather-protected machine type 1
- Cast iron/ plate steel frame construction
- Space heaters
- Resistance temperature detector (RTD) (300-500 HP)
- Thermal protected
- Insulated bearing mounts (40-500 HP)
- 40° C ambient continuous duty
- Dual voltage ratings suitable for part wind start on 230V; single voltage ratings are suitable for part wind start at 230V
- Inverter duty with windings rated for 2200V peak voltage spike
- 2-year warranty



HP	RPM	Volts	Frame	FL Eff. (%)	FL Amps (A)	"CD" Dim (in.)	"BD" Dim (in.)	DN Thrust	Weight (lbs.)	Notes	Model Number	List Price
10	1800	230/460	215TP	91.7	24.4/12.2	17.6	10	2500	366	26	V2-10D4-W21510A	\$3,402.03
15	1800	230/460	254TP	93.0	34.6/17.3	23.4	10	3200	493	26	V2-15D4-W25410A	\$4,147.68
20	1800	230/460	256TP	93.0	47/23.5	23.4	10	3200	510	26	V2-20D4-W25610A	\$4,334.10
25	1800	230/460	284TP	93.6	57.6/28.8	24.8	10	3200	554	26	V2-25D4-W28410A	\$4,467.96
		230/460	284TP	93.6	57.6/28.8	24.8	10	3200	554	26	V2-25D4-W28410B	\$4,467.96
30	1800	230/460	286TP	94.1	68.2/34.1	24.8	10	3200	572	26	V2-30D4-W28610A	\$4,740.12
		230/460	286TP	94.1	68.2/34.1	24.8	10	3200	572	26	V2-30D4-W28610B	\$4,740.12
40	1800	230/460	324TP	94.1	92/46	28.2	16.5	5500	780	26	V2-40D4-W32416A	\$6,418.44
		230/460	324TP	94.1	92/46	28.2	16.5	5500	780	26	V2-40D4-W32416B	\$6,418.44
		460	324TP	94.1	46	28.2	16.5	5500	780	27	V2-40S4-W32416A	\$6,418.44
		460	324TP	94.1	46	28.2	16.5	5500	780	26	V2-40S4-W32416B	\$6,418.44
		460	324TP	94.1	46	28.2	16.5	5500	780	26	V2-40S4-W32416B	\$6,418.44
50	1800	230/460	326TP	94.5	112.8/56.4	28.2	16.5	5500	811	26	V2-50D4-W32616A	\$6,940.08
		230/460	326TP	94.5	112.8/56.4	28.2	16.5	5500	811	26	V2-50D4-W32616B	\$6,940.08
		460	326TP	94.5	56.4	28.2	16.5	5500	811	27	V2-50S4-W32616A	\$6,940.08
60	1800	230/460	364TP	95.0	136.6/68.3	31.2	16.5	5600	1024	26	V2-60D4-W36416A	\$8,391.60
		230/460	364TP	95.0	136.6/68.3	31.2	16.5	5600	1024	26	V2-60D4-W36416B	\$8,391.60
		460	364TP	95.0	68.3	31.2	16.5	5600	1024	27	V2-60S4-W36416A	\$8,391.60
		460	364TP	95.0	68.3	31.2	16.5	5600	1024	27	V2-60S4-W36416B	\$8,391.60
		460	364TP	95.0	68.3	31.2	16.5	5600	1024	27	V2-60S4-W36416B	\$8,391.60
75	1800	230/460	365TP	95.0	170/85	31.2	16.5	5600	1053	26	V2-75D4-W36516A	\$9,049.32
		230/460	365TP	95.0	170/85	31.2	16.5	5600	1053	26	V2-75D4-W36516B	\$9,049.32
		460	365TP	95.0	85	31.2	16.5	5600	1053	27	V2-75S4-W36516A	\$9,049.32
		460	365TP	95.0	85	31.2	16.5	5600	1053	27	V2-75S4-W36516B	\$9,049.32
		460	365TP	95.0	85	31.2	16.5	5600	1053	27	V2-75S4-W36516B	\$9,049.32
100	1800	230/460	404TP	95.4	224/112	36.9	16.5	6700	1473	26	V2-100D4-W40416A	\$11,907.00
		230/460	404TP	95.4	224/112	36.9	16.5	6700	1473	26	V2-100D4-W40416B	\$11,907.00
		460	404TP	95.4	112	36.9	16.5	13400	1473	27,29	V2-100S4-W40416A-EHT	\$12,740.49
		460	404TP	95.4	112	36.9	16.5	6700	1473	27	V2-100S4-W40416A	\$11,907.00

Section 11: North American Electric Motors



VHS-V2 Series | Cast Iron/Plate Steel (Continued...)

Three-Phase | 230/460 and 460 Volt

HP	RPM	Volts	Frame	FL Eff. (%)	FL Amps (A)	"CD" Dim (in.)	"BD" Dim (in.)	DN Thrust	Weight (lbs.)	Notes *	Model Number	List Price
125	1800	460	405TP	95.4	139	36.9	16.5	13400	1513	27,29	V2-125S4-W40516A-EHT	\$13,686.93
150	1800	460	444TP	95.8	165	44.8	16.5	14400	1984	27,29	V2-150S4-W44416A-EHT	\$17,744.47
200	1800	460	445TP	95.8	221	44.8	16.5	14400	2099	27,29	V2-200S4-W44516A-EHT-14	\$22,326.19
		460	445TP	95.8	221	44.8	16.5	19000	2099	27,29	V2-200S4-W44516A-EHT-19	\$25,566.19
250	1800	460	445TP	95.8	276	44.8	16.5	14400	2206	27,29	V2-250S4-W44516A-EHT-14	\$25,266.35
		460	445TP	95.8	276	44.8	16.5	19000	2206	27,29	V2-250S4-W44516A-EHT-19	\$28,573.55

- Notes:**
- 26. Suitable for part wind start at 230V
 - 27. Suitable for part wind start at 460V
 - 28. Zinc Plate Steel Frame Construction
 - 29. Extra High Thrust, Double Stacked Bearing Design
 - 30. Please reference pp. 60-61 for parts and accessories, or contact us at 800-884-0404 for assistance.

Oil Well Pump | TEFC | Rigid Base Three-Phase | 230/460/796 Volt

Product Specifications

- 2-150 HP
- Enclosure: Totally enclosed fan cooled (TEFC)
- Frame: 184T-449T
- Inverter duty: (20:1 VT; 10:1 CT)
- Service factor: 1.15 @ 60 Hz
- NEMA Design D Performance
- High torque/high slip (5-8%)
- Lifting provisions on 213T frame and above
- Double shielded bearings
- 3-year warranty (extended warranty available)
- Class F insulation system; Class B rise at full load; Class H vacuum pressure impregnation (VPI) resin for all windings
- Stainless steel nameplate and zinc plated hardware, corrosion resistant epoxy paint
- IP55 protection
- Thermistors in the windings
- Condensation drains with plugs
- Cast iron frame construction
- 40° C ambient continuous duty
- Dual voltage ratings suitable for part wind start on 230V
- Windings rated for 2200V peak voltage spikes



HP	RPM	Volts	Frame	Flange	FL Eff. (%)	FL Amps (A)	"C" Dim (in.)	Weight (lbs.)	Model Number	List Price
2	900	230/460/796	184T	--	75.0	8.4/4.2/2.4	16.1	83	OWP184T-2-8	\$794.16
	1200	230/460/796	184T	--	78.5	7/3.5/2	16.1	87	OWP184T-2-6	\$719.46
3	900	230/460/796	215T	--	80.0	10/5/2.9	20.4	123	OWP215T-3-8	\$1,088.36
	1200	230/460/796	213T	--	79.0	10.0/5.0/2.9	18.9	130	OWP213T-3-6	\$750.70
5	900	230/460/796	254T	--	81.5	18/9/5.2	23.2	191	OWP254T-5-8	\$1,353.01
	1200	230/460/796	215T	--	83.5	15.0/7.5/4.3	20.4	156	OWP215T-5-6	\$908.88
7.5	900	230/460/796	256T	--	82.5	25/12.5/7.2	25	235	OWP256T-7.5-8	\$1,647.11
	1200	230/460/796	254T	--	84.5	21.6/10.8/6.2	23.2	220	OWP254T-7.5-6	\$1,358.03
10	900	230/460/796	284T	--	84.0	33/16.5/9.5	26.6	283	OWP284T-10-8	\$2,176.57
	1200	230/460/796	256T	--	85.0	28.8/14.4/8.3	25	249	OWP256T-10-6	\$1,535.32
15	900	230/460/796	286T	--	85.5	47/23.5/13.5	28.1	337	OWP286T-15-8	\$2,529.52
	1200	230/460/796	284T	--	85.5	40.0/20.0/11.6	26.6	341	OWP284T-15-6	\$2,082.41
20	900	230/460/796	324T	--	87.5	62/31/18	29.8	451	OWP324T-20-8	\$3,235.43
	1200	230/460/796	286T	--	86.0	53.0/26.5/15.3	28.1	403	OWP286T-20-6	\$2,414.50
25	900	230/460/796	326T	--	87.5	75/37.5/21.5	31.3	493	OWP326T-25-8	\$3,438.70
	1200	230/460/796	324T	--	86.0	64.4/32.2/18.6	29.8	510	OWP324T-25-6	\$2,789.14
30	900	230/460/796	364T	--	87.5	90/45/26	32.5	629	OWP364T-30-8	\$4,584.87
	1200	230/460/796	326T	--	86.5	77.0/38.5/22.2	31.3	572	OWP326T-30-6	\$3,146.31
40	900	230/460/796	365T	--	87.5	116/58/33.5	33.5	710	OWP365T-40-8	\$4,871.45
	1200	230/460/796	365T	--	87.5	98.0/49.0/28.3	33.5	733	OWP365T-40-6	\$4,294.95
50	900	230/460/796	404T	--	88.5	134/67/39	36.5	895	OWP404T-50-8	\$6,304.29
	1200	230/460/796	404T	--	87.5	122/61.0/35.3	36.5	911	OWP404T-50-6	\$5,703.84
60	900	230/460/796	405T	--	89.5	160/80/46	38	1025	OWP405T-60-8	\$7,737.13
	1200	230/460/796	405T	--	88.0	148/74.0/42.8	38	1001	OWP405T-60-6	\$5,795.63
75	900	230/460/796	444T	--	91.7	191/95.5/55	44.3	1328	OWP444T-75-8	\$12,321.90
	1200	230/460/796	444T	--	90.0	178/89.0/51.4	44.3	1258	OWP444T-75-6	\$7,283.00
100	900	230/460/796	445T	--	91.7	250/125/72	44.3	1614	OWP445T-100-8	\$12,837.68
	1200	230/460/796	445T	--	90.5	234/117/67.6	44.3	1390	OWP445T-100-6	\$9,076.89
125	1200	460/796	447T	--	92.5	147/84.9	47.8	1850	OWP447T-125-6	\$14,436.87
150	1200	460/796	449T	--	93.2	180/104	52.8	1980	OWP449T-150-6	\$15,038.38

Notes: R: Roller bearing on drive-end for belted applications

Oil Well Pump | ODP | Rigid Base Three-Phase | 230/460/796 Volt



Product Specifications

- 7.5-100 HP
- Enclosure: Open Drip Proof (ODP)
- Frame: 254T-444T
- Inverter duty: (20:1 VT; 10:1 CT)
- Service factor: 1.15 @ 60 Hz
- NEMA Design D Performance
- High torque/high slip (5-8%)
- Lifting provisions
- Regreasable open bearings
- Mechanical oil seal on both ends
- Class F insulation system; Class B rise at full load; Class H vacuum pressure impregnation (VPI) resin for all windings
- Stainless steel nameplate and zinc plated hardware, corrosion resistant epoxy paint
- IP23 protection
- Thermistors in the windings
- Condensation drains with plugs
- Cast iron frame construction
- 40° C ambient continuous duty
- Dual voltage ratings suitable for part wind start on 230V
- Windings rated for 2200V peak voltage spikes
- 2-year warranty (extended warranty available)



HP	RPM	Volts	Frame	Flange	FL Eff. (%)	FL Amps (A)	"C" Dim (in.)	Weight (lbs.)	Model Number	List Price
7.5	1200	230/460/796	254T	--	78.5	29.0/14.5/8.4	22.2	217	OWP254T-7.5-6-ODP	\$1,251.75
10	1200	230/460/796	256T	--	81.5	36.0/18.0/10.4	22.2	238	OWP256T-10-6-ODP	\$1,414.79
15	1200	230/460/796	284T	--	82.5	44.0/22.0/12.7	24.8	341	OWP284T-15-6-ODP	\$1,917.73
20	1200	230/460/796	286T	--	85.5	56.0/28.0/16.2	24.8	370	OWP286T-20-6-ODP	\$2,335.49
25	1200	230/460/796	324T	--	86.5	68.0/34.0/19.6	27.1	466	OWP324T-25-6-ODP	\$2,570.45
30	1200	230/460/796	326T	--	86.5	82.0/41.0/23.7	27.1	488	OWP326T-30-6-ODP	\$3,043.21
40	1200	230/460/796	365T	--	87.5	112/56.0/32.4	29.3	660	OWP365T-40-6-ODP	\$3,960.23
50	1200	230/460/796	404T	--	88.5	128/64.0/37.0	33.3	878	OWP404T-50-6-ODP	\$5,261.23
60	1200	230/460/796	405T	--	88.5	152/76.0/43.9	33.3	911	OWP405T-60-6-ODP	\$5,338.55
75	1200	230/460/796	405T	--	89.5	183/91.5/52.9	22.3	963	OWP405T-75-6-ODP	\$7,181.15
100	1200	230/460/796	444T	--	90.2	248/124/71.7	39.5	1576	OWP444T-100-6-ODP	\$9,313.05

Rotary Phase Convertor Motor | TEFC Single to Three-Phase | 230/460 Volt



Product Specifications

- 3-60 HP
- Enclosure: Totally enclosed fan cooled (TEFC)
- Frame: 182T-364T
- Speed: 1800 rpm
- Voltage: 230/460 Volts at 60 Hz
- Service Factor: 1.15 SF
- Enclosure/Frame: TEFC 182T-364T
- F1/F2 reversible
- Dual-drilled feet for mounting flexibility
- Lifting provisions on 143 frame and above
- Class F insulation system; Class B rise at full load; Class H vacuum pressure impregnation (VPI) resin for all windings
- Stainless steel nameplate and zinc plated hardware, corrosion resistant epoxy paint
- Spike resistant inverter duty wire
- IP55 protection
- Condensation drains with plugs
- Sealed bearings
- 2-year warranty
- 40 °C ambient continuous duty
- Windings rated for 2200 V peak voltage spikes



When combined with a control panel/phase convertor*, our PC series of Rotary Phase Convertor Induction Motors creates a complete phase convertor system. These shaftless induction motors transform single-phase power into three-phase power for running various equipment in engineering workshops, such as metalworking and woodworking drill presses, saws, lathes, welders, compressors, and ovens. The size of the system, and hence the HP of the motor, depends on the equipment load. They are used where it would typically be difficult or expensive to supply three-phase power.

HP	RPM	Voltage	Frame	FL Eff. (%)	FL Amps (A)	Approx. Wt. (lbs.)	"C" Dim. (in)	Model Number	List Price	Notes
3	1800	230/460	182T	89.5	9.7-8.8/4.4	83	12.2	PC182T-3-4	\$510.29	31
5	1800	230/460	184T	89.5	14.8-13.4/6.7	88	13.2	PC184T-5-4	\$595.69	31
7.5	1800	230/460	213T	91.7	21-19/9.5	145	15.4	PC213T-7.5-4	\$836.40	31
10	1800	230/460	215T	91.7	27.2-24.6/12.3	165	16.9	PC215T-10-4	\$945.20	31
15	1800	230/460	254T	92.4	40.5-36.6/18.3	256	19	PC254T-15-4	\$1,403.59	31
20	1800	230/460	256T	93.0	53.5-48.4/24.2	283	20.8	PC256T-20-4	\$1,626.94	31
25	1800	230/460	284T	93.6	66.3-60/30	365	21.8	PC284T-25-4	\$2,003.51	31
30	1800	230/460	286T	93.6	78.1-70.6/35.3	378	23.3	PC286T-30-4	\$2,132.03	31
40	1800	230/460	324T	94.1	103.3-93.4/46.7	485	24.4	PC324T-40-4	\$2,818.42	31
50	1800	230/460	326T	94.5	128.9-116.6/58.3	552	25.9	PC326T-50-4	\$3,267.22	31
60	1800	230/460	364T	95.0	154.8-140/70	828	26.3	PC364T-60-4	\$4,295.13	31

Notes: 31 - This is a rotary phase converter induction motor, it is NOT a complete phase converter system. Control Panel/Phase Convertor not included.

Series	Frame	HP	Poles	Example Equip./Loads
PC	182T	3	4	Freezers, Air Compressors, Blowers, Vacuums, Cryo-Chambers
	184T	5	4	
	213T	7.5	4	
	215T	10	4	
	254T	15	4	Drill Press, Milling Machines, Saw Motors
	256T	20	4	
	284T	25	4	Ovens, Welders, Battery Chargers, Transmitters, Resistive Loads
	286T	30	4	
	324T	40	4	
	326T	50	4	
364T	60	4		



Worldwide[®]
ELECTRIC CORPORATION

**Designed for Motor
Customizations Direct
from WorldWide Electric**

Motor **Modification** Program



Our “Insta-mod” program allows you to make customization to motors at the time of order. Simply contact us to make one or more of the following motor modifications:

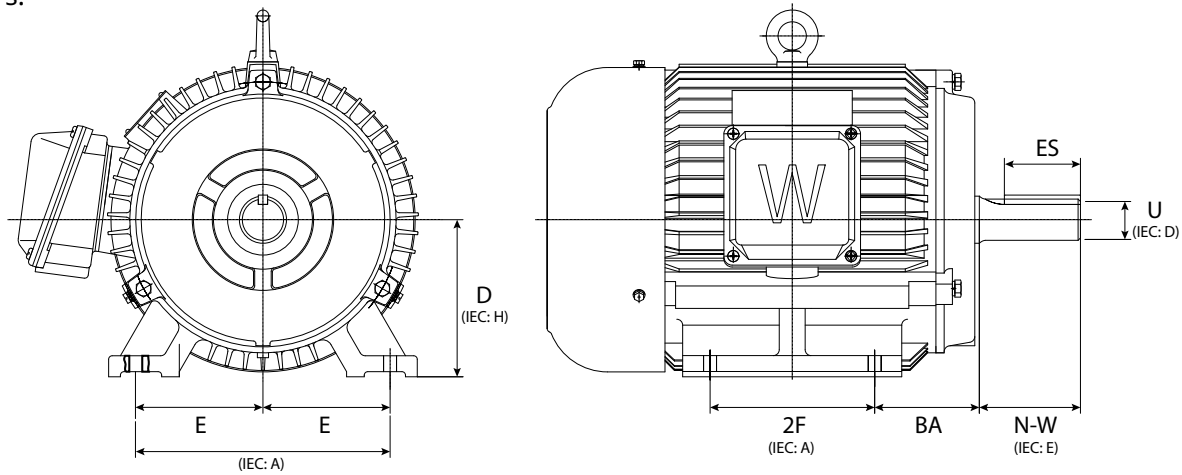
- C-Flange / D-Flange Installation
- F1 and F2 Mount Conversion
- Turn Down (convert) a T Shaft to TS Short Shaft
- Space Heaters (120 or 240 Volt) Installation
- Winding Thermistors Installation
- Bearing / Winding RTDs Installation
- Grounding Ring or Current Divertor Ring Installation
- Bearing Change to Roller or Ball Bearings
- Insulated Opposite-Drive-End (ODE) Bearing
- IEEE / Washdown - White Epoxy Paint
- Fungus Protection / Tropicalization

Call WorldWide
(800) 808-2131

Discover More Capabilities with Worldwide Electric

NEMA & IEC Motor Dimensions

Standardized motor dimensions established in 1984 that apply to all base-mounted motors that carry a NEMA frame designation. European IEC frame sizes are based on the shaft height (equivalent to NEMA "D" dimension) in millimeters.



See Next Page for Dimensions.

NEMA Motor Enclosure Classifications

The enclosures of electrical motors are standardized by NEMA as follows:

Drip-Proof

- Ventilation openings in shield and/or frame prevents drops of liquid from falling into motor within up to 15 degree angle from vertical.
- Designed for reasonably dry, clean, and well ventilated (usually indoors) areas. Outdoors installation require the motor to be protected with a cover that does not restrict the flow of air to the motor.



Totally Enclosed Air Over (TEAO)

- Dust-tight fan and blower motors for shaft mounted fans or belt driven fans. The motors mounted within the airflow of the fan.

Totally Enclosed Non-Ventilated (TENV)

- No ventilation openings, enclosed to prevent free exchange of air (not airtight). No external cooling fan, relies on convection cooling.
- Suitable where the motor is exposed to dirt or dampness. Not suited in very moist humid or hazardous (explosive) air.



Totally Enclosed Fan Cooled (TEFC)

- Same as TENV with an external fan as an integral part of the motor. The fan provides cooling by blowing air on the outside of the motor.



Explosion-Proof Motors (TEXP)

- The motor ambient temperature shall not exceed +40°C. Motors are approved for the classes:
 - CLASS I (Gases, Vapors)
 - Group A - Acetylene
 - Group B - Butadiene, ethylene oxide, hydrogen, propylene oxide
 - Group C - Acetaldehyde, cyclopropane, diethyl ether, ethylene, isoprene
 - Group D - Acetone, acrylonitrile, ammonia, benzene, butane, ethylene dichloride, gasoline, hexane, methane, methanol, naphtha, propane, propylene, styrene, toluene, vinyl acetate, vinyl chloride, xylene
 - CLASS II (Combustible Dusts)
 - Group E - Aluminum, magnesium and other metal dusts with similar characteristics.
 - Group F - Carbon black, coke or coal dust
 - Group G - Flour, starch or grain dust
 - CLASS III (Not Available from WorldWide Electric)



NEMA Motor Design Classifications

Four standard NEMA designs have unique speed-torque-slip relationships for different type of applications.

NEMA design A

- maximum 5% slip
- high to medium starting current
- normal locked rotor torque
- normal breakdown torque
- suited for a broad variety of applications - like fans and pumps

NEMA design B

- maximum 5% slip
- low starting current
- high locked rotor torque
- normal breakdown torque
- suited for a broad variety of applications with normal starting torques - common in HVAC application with fans, blowers and pumps

NEMA design C

- maximum 5% slip
- low starting current
- high locked rotor torque
- normal breakdown torque
- suited for equipment with high inertia and high starting torques at start - like positive displacement pumps, conveyors

NEMA design D

- maximum 5-13% slip
- low starting current
- very high locked rotor torque
- suited for equipment with very high inertia starts - like cranes, hoists etc.

IP Ratings

Relevant IEC IP Ratings for WorldWide Electric Motors

Protection Provided	
IP10	Protected against solid objects up to 50 mm, e.g. accidental touch by hands.
IP11	Protected against solid objects up to 50 mm, e.g. accidental touch by hands. Protection against vertically falling drops of water e.g. condensation.
IP14	Protected against solid objects up to 50 mm, e.g. accidental touch by hands. Protection against water sprayed from all directions, limited ingress permitted.
IP23	Protected against solid objects up to 12.55 mm, e.g. Fingers or smaller objects. Protection against water sprayed at an angle of 60°, limited ingress permitted.
IP43	Protected against solid objects up to 2.5 mm, e.g. Tools and thick wires. Protection against water sprayed at an angle of 60°, limited ingress permitted.
IP52	Protected against dust limited ingress (no harmful deposit). Protection against direct sprays of water up to 15o from the vertical.
IP54	Protected against dust limited ingress (no harmful deposit). Protection against water sprayed from all directions, limited ingress permitted.
IP55	Protected against dust limited ingress (no harmful deposit). Protected against water jet spray.
IP56	Protected against dust limited ingress (no harmful deposit). Protected against heavy water jet spray.
IP66	Protected against dust limited ingress (2 - 8 hours). Protected against heavy seas or heavy water jet spray.
IP69K	Protected against dust limited ingress (2 - 8 hours). Protected against high-pressure washdown at high temps. up to 176°F/80°C

NEMA Insulation Classes

Insulation classes for recommended maximize allowable operating temperatures (directly related to motor life.)

Conversion: $T(^{\circ}F) = [T(^{\circ}C)](9/5) + 32$

2 Allowable temperature rises are based upon a reference ambient temperature of 40°C. Operation temperature is reference temperature + allowable temperature rise + allowance for "hot spot" winding.

Temperature Tolerance Class	Maximum Operation Temperature Allowed		Allowable Temperature Rise at full load 1.0 service factor motor ²	Allowable Temperature Rise 1.15 service factor motor ²
	°C	°F		
A	105	221	60	70
B	130	266	80	90
F	155	311	105	115
H	180	356	125	-
N	200	392	145	-

A motor should not operate with temperatures above the maximum. Each 10 °C rise above the rating may reduce the motor lifetime by one half.

Motor Reference Information

NEMA Motor Efficiency Equals the ratio of mechanical power output to the electric power input.

Nominal Efficiency	Minimum Efficiency Based on 20% Loss Difference	Nominal Efficiency	Minimum Efficiency Based on 20% Loss Difference	Nominal Efficiency	Minimum Efficiency Based on 20% Loss Difference
99.0	98.8	95.4	94.5	81.5	78.5
98.9	98.7	95.0	94.1	80.0	77.0
98.8	98.6	94.5	93.6	78.5	75.5
98.7	98.5	94.1	93.0	77.0	74.0
98.6	98.4	93.6	92.4	75.5	72.0
98.5	98.2	93.0	91.7	74.0	70.0
98.4	98.0	92.4	91.0	72.0	68.0
98.2	97.8	91.7	90.2	70.0	66.0
98.0	97.6	91.0	89.5	68.0	64.0
97.8	97.4	90.2	88.5	66.0	62.0
97.6	97.1	89.5	87.5	64.0	59.5
97.4	96.8	88.5	86.5	62.0	57.5
97.1	96.5	87.5	85.5	59.5	55.0
96.8	96.2	86.5	84.0	57.5	52.5
96.5	95.8	85.5	82.5	55.0	50.5
96.2	95.4	84.0	81.5	52.5	48.0
95.8	95.0	82.5	80.0		

NEMA Frame Size vs hp Standard NEMA Frame sizes vs horsepower.

HP	"T" FRAMES 1964					"U" FRAMES 1952				
	3600		1800	1200	900	3600		1800	1200	900
	ODP	TEFC	ODP/TEFC	ODP/TEFC	ODP/TEFC	ODP	TEFC	ODP/TEFC	ODP/TEFC	ODP/TEFC
1	-	-	143T	145T	182T	-	-	182	184	213
1.5	143T	143T	145T	182T	184T	182	182	184	184	213
2	145T	145T	145T	184T	213T	184	184	184	213	215
3	145T	182T	182T	213T	215T	184	1847	213	215	254U
5	182T	184T	184T	215T	254T	213	213	215	254U	256U
7.5	184T	213T	213T	254T	256T	215	215	254U	256U	284U
10	213T	215T	215T	256T	284T	254U	254U	256U	284U	286U
15	215T	254T	254T	284T	286T	256U	256U	284U	324U	326U
20	254T	256T	256T	286T	324T	284U	286U	286U	326U	364U
25	256T	284TS	284T	324T	326T	286U	324U	324U	364U	365U
30	284TS	286TS	286T	326T	364T	324S	326S	326U	365U	404U
40	286TS	324TS	324T	364T	365T	326S	364US	364U	404U	405U
50	324TS	326TS	326T	365T	404T	364US	364US	365US	405U	444U
60	326TS	364TS	364TS	404T	405T	365US	405US	404US	444U	445U
75	364TS	365TS	365TS	405T	444T	404US	444US	405US	445U	-
100	365TS	405TS	404TS	444T	445T	405US	445US	444US	-	-
125	404TS	444TS	405T	445T	-	444US	444US	445US	-	-
150	405TS	445TS	444TS	-	-	445US	445US	-	-	-
200	444TS	444TS	445TS	-	-	-	-	-	-	-
250	445TS	445TS	-	-	-	-	-	-	-	-

12 Reference

Warranty Policy

WARRANTY LENGTH

The warranty length for WorldWide Electric Motors is as follows:

General Purpose Motors	Two (2) years from date of sale (invoice)
Jet Pump Motors	Two (2) years from date of sale (invoice)
Stainless Steel / Washdown Duty Motors	Three (3) years from date of sale (invoice)
Permanent Magnet DC Motors	One (1) year from date of sale (invoice)
WorldWide Farm Duty Motors	Two (2) years from date of sale (invoice)
WorldWide Premium Efficient Stainless Steel Motors	Two (2) years from date of sale (invoice)
WorldWide Open Drip Proof (ODP) Motors	Three (3) years from date of sale (invoice)
WorldWide Premium Efficiency Motors (PEWWE)	Three (3) years from date of sale (invoice)
WorldWide Explosion Proof Motors	Two (2) years from date of sale (invoice)
WorldWide Advanced Design Rock Crusher Motors	Two (2) years from date of sale (invoice)
WorldWide Oil Well Pump Motors	Two (2) years from date of sale (invoice)
WorldWide Close Coupled Pump Motors	Two (2) years from date of sale (invoice)
WorldWide Vertical Hollow Shaft Motors	Two (2) years from date of sale (invoice)
WorldWide IEC Aluminum Frame Motors	Two (2) years from date of sale (invoice)
WorldWide Motor Slide Bases	Three (3) years from date of sale (invoice)
Louis Allis IEEE 45 Severe & Marine-Duty Motors	Three (3) years from date of sale (invoice)
NAE General Purpose/Heavy Duty	Three (3) years from date of sale (invoice)
NAE Crusher Duty Motors	Three (3) years from date of sale (invoice)
NAE Explosion Proof Motors	Two (2) years from date of sale (invoice)
NAE Vertical Hollow Shaft Motors	Two (2) years from date of sale (invoice)
NAE Oil Well Pump TEFC	Three (3) years from date of sale (invoice)
NAE Oil Well Pump ODP	Two (2) years from date of sale (invoice)
NAE Close Coupled Pump Motors	Two (2) years from date of sale (invoice)
NAE Rotary Phase Convertors	Two (2) years from date of sale (invoice)

Warranty Policy

ALL MOTORS (EXCEPTION OF IEEE-841, EXPLOSION PROOF, AND VERTICAL HOLLOW SHAFT MOTORS)

1. Motors up to and including 286T are covered by our nameplate only policy. If the motor has failed due to a manufacturer's defect within the warranty period, the customer must complete the NAMEPLATE WARRANTY CREDIT REQUEST FORM, attach the nameplate to the completed form and mail to WorldWide Electric for credit (photo of nameplate required for stainless steel / washdown duty motors). Please note, the Nameplate Warranty Credit Request Form should be mailed via certified mail. WorldWide Electric shall not be liable for any labor or operating costs connected with the replacement of the motor. The purchaser shall be responsible for any transportation charges connected with the replacement of the motor. This warranty is offered one time per end user, per application. If there are additional failures, please follow our normal warranty policy.
2. Motors 324T and above must be inspected by an authorized EASA service center or other approved motor shop for determination of cause of failure. Authorized EASA service centers are available inside and outside of the United States. Visit the EASA website at www.easa.com to find the nearest authorized service center. These shops may also be able to assist with non-warranty service.
3. The service center must provide a written estimate for inspection and a purchase order must be issued by WorldWide Electric prior to the motor inspection.
4. After completion of the motor inspection, the service center must complete the WARRANTY REPAIR REPORT, attach detailed photographs of the failure and e-mail to WorldWide Electric for review.
5. If the failure is determined to be from a defect in material or workmanship when operated under normal conditions and in accordance with nameplate characteristic limits, WorldWide Electric shall either repair or replace the motor, at the company's discretion. WorldWide Electric shall not be liable for any labor or operating costs connected with the repair / replacement of the motor.
6. Should WorldWide Electric choose to repair the motor, the service center must provide a written estimate for repair and a purchase order must be issued by WorldWide Electric prior to the repair being performed.
7. Should WorldWide Electric choose to replace the motor, the purchaser shall be responsible for any transportation charges connected with the replacement of the motor.
8. All warranties, regardless of frame size / motor size will be subject to WorldWide Electric's final approval.

ALL IEEE-841, EXPLOSION PROOF, AND VERTICAL HOLLOW SHAFT MOTORS

1. Motors must be inspected by a UL certified / authorized EASA service center for determination of cause of failure. Authorized EASA service centers are available inside and outside of the United States. Visit the EASA website at www.easa.com to find the nearest authorized service center. These shops may also be able to assist with non-warranty service.
2. The service center must provide a written estimate for inspection and a purchase order must be issued by WorldWide Electric prior to the motor inspection.
3. After completion of the motor inspection, the service center must complete the WARRANTY REPAIR REPORT, attach detailed photographs of the failure and e-mail to WorldWide Electric for review.
4. If the failure is determined to be from a defect in material or workmanship when operated under normal conditions and in accordance with nameplate characteristic limits, WorldWide Electric shall either repair or replace the motor, at the company's discretion. WorldWide Electric shall not be liable for any labor or operating costs connected with the repair / replacement of the motor.
5. Should WorldWide Electric choose to repair the motor, the service center must provide a written estimate for repair and a purchase order must be issued by WorldWide Electric prior to the repair being performed.
6. Should WorldWide Electric choose to replace the motor, the purchaser shall be responsible for any transportation charges connected with the replacement of the motor.
7. All warranties, regardless of frame size / motor size will be subject to WorldWide Electric's final approval.

Return Policy

1. All WorldWide Electric products (electric motors, motor controls and gearing products) that are purchased as normal stock items may be returned, with freight to be paid, back to the closest WorldWide Electric warehouse by the customer.
2. Any returned products must be new, undamaged and in original cartons/packaging. Final credit will not be issued until WorldWide Electric has verified the products/shipping cartons as such.
3. All RGA requests must be made within 90 days of original purchase.
4. If the returned products were ordered incorrectly by the customer, 20% will be levied as a restocking charge which carries a minimum \$75 charge.
5. If the customer places an order equal to or greater than the goods being returned, then the restocking charge will be 10% (minimum \$75 charge).
6. If the product being returned was originally shipped to the customer prepaid and allowed, the original freight charge will be deducted from the return credit.
7. If the returned products are not in original condition (as well as the packaging), there will be additional fees applied to repair and/or replace those parts/products.

Freight Terms / Programs / Services

Freight Terms

Freight terms are as follows on all orders shipped from any of our warehouses. All products can be assorted from all four divisions; motors, controls, generators and gearing.

- \$5,000 + Truck – Prepaid and Allowed (Paid by WWE)
- \$1,501 - \$4,999 Truck – 10% of Invoice (Prepaid and Add)
- \$0 - \$1,500 Truck – \$150 Minimum (Prepaid and Add)

FedEx / UPS may be utilized for shipments under 100 lbs. and billed on a prepaid and add basis (excluding cast iron motors and gear reducer products). Customers may always choose to have their shipment sent freight collect.

Special Freight Prepaid Programs

- | | |
|-----------------|--|
| 56-Frame Motors | 25 + Pieces Assorted - Prepaid and Allowed |
| Slide Bases | 25 + Pieces Assorted - Prepaid and Allowed |

Orders may be picked up from any of our warehouses as a will call. We would prefer a one-hour advance notification for orders to be picked up. However, allowances will be made for special rush and urgent situations. Freight terms are as follows on all orders shipped from any of our warehouses.

Additional Freight Services

- | | |
|----------------------|-----------------------|
| Delivery Appointment | \$65.00 |
| Liftgate Delivery | \$200.00 |
| Residential Delivery | \$125.00 |
| Expedited Delivery | Please Call for Quote |

We offer configured and fully customizable options for complete motor control. A broad range of available sizes, features, and configuration options are available across our product lines. Standard options are in-stock and ready for immediate delivery. Heavy-duty enclosures protect your investment against the most demanding outdoor environments. Packaged systems are UL-compliant, assembled, tested, and ready for operation before shipment.

Variable Frequency Drives, Chassis and Enclosed Packages

Total control of your motor applications, from general purpose to severe duty.

- WorldDrive FC, G2, 4X, or N700E models available
- 0.5-800 hp ratings
- 230 and 460 Volt options
- Single-phase and three-phase
- Volts to frequency, slip compensation, and sensorless vector control modes
- Output Frequency 0.01-400 Hz
- Carrier Frequency 1-15k Hz
- NEMA 3R, 4, and 12 enclosure options



Motor Soft Starters, Chassis and Enclosed Packages

Protect against undue load and torque on your motors. Options for standard, heavy, non-combination, and positive displacement (PD) applications.

- WorldStart WSE or WSiQ
- 5-900 hp ratings
- 230, 460, and 575 Volt options
- 2-SCR and 3-SCR Products
- Run-rated internal bypass
- Adjustable current limit 250% to 450%
- Adjustable Motor Trip Class: 2 to 20 seconds
- IP20 19 to 100 A; IP00 140 to 200 A
- True 3-Phase Starter, 350% FLA for 30 seconds
- NEMA 4 enclosures with WorldStart WSE or WSiQ



Across-the-Line Starters

Simple control devices for a wide range of applications. WorldWide Electric and Siemens Brands.

- General Purpose Motor Starters
- Siemens Class 14 NEMA Rated Motor Starters with ESP200 Solid State Overload
- Siemens 3RE48 NEMA Rated Pump Controllers with ESP200 Solid State Overload
- Siemens Combo Starters with Solid State Overload
- Solid State Overload Relays and Current Transformers
- Motor starter kits, accessories, parts, incl. Siemens Coils for NEMA Starters



Remote Operating Module

Reduce time spent in the field checking up on your operations. View system statuses in real-time, view automatically-generated reports, and get notified of critical issues via email/text 24/7.

- Real-time monitoring with alerts
- Unlimited Technical Support
- 4G Cellular Connectivity
- Configurable Inputs and Outputs
- Three-year monitoring incl.
- Renewable plans available.



Positive Displacement Pump Enclosed Packages and Panels

Motor Soft Starter and Variable Frequency Drive Packages for demanding start-up, control and protection needed for PD applications, incl. oil and gas, salt water disposal, irrigation, jet pump, etc.

- 3 - 800 hp | Single-phase and three-phase
- Start-rated bypass contactor
- CT and VT ratings
- Multiple control options, incl. "Murphy Switches"
- Full skid control and programing options
- NEMA 3R AND NEMA 4 enclosures



Ancillary Control Devices

Support a wide range of applications from basic to complex control. Brands include Siemens, Hubbell, and WorldWide Electric.

- Safety and Disconnect Switches
- Pilot Devices & Push Buttons
- Selector Switches & Indicator Lights
- Contactors & Auxiliary Contact Blocks
- Overload Relays & Alternator relays
- Drum Controllers
- Pressure Switches



WD4X Series

NEMA 4X VFD

Built to provide ultimate control of your motor applications and deliver superior performance in demanding conditions.

Voltage & HP Ranges

- 240 V Single-Phase 0.5 - 10 hp VT
- 240 V Three-Phase 1 - 20 hp CT
- 480 V Single-Phase 0.5 - 15 hp VT
- 480 V Three-Phase 0.5 - 30 hp CT

Overload Capacity

- 150% Overload for 60 seconds CT

Motor Control Modes

- Volts to frequency (V-Hz), slip compensation, sensorless vector control, and PM Sensorless Vector

Communications

- Modbus RTU
- Optional EtherNet/IP & Modbus/TCPIP

Protection

- NEMA 4X/IP66 Indoor



Lockable
Disconnect

WDFC Series

Flexible Control VFD

Built to provide ultimate control of your motor applications, the WDFC is suitable for a variety of applications from conveyors to pumps and almost everything in between.



Voltage & HP Ranges

- 240 V Single-Phase 0.5 - 10 hp VT
- 240 V Three-Phase 1 - 25 hp VT
- 240 V Three-Phase 0.5 - 20 hp CT
- 480 V Single-Phase 0.5 - 350 hp VT
- 480 V Three-Phase 1 - 800 hp VT
- 480 V Three-Phase 0.5 - 650 hp CT

Overload Capacity

- 120% Overload for 60 seconds VT
- 150% Overload for 60 seconds CT

Motor Control Modes

- Volts to frequency (V-Hz), slip compensation, sensorless vector control, and PM Sensorless Vector

Communications

- Modbus RTU
- Metasys N2
- BACnet MS/TP
- Optional EtherNet/IP or Modbus/TCPIP

Protection

- NEMA 1/IP20 with Conduit Box Option (Plenum Rated)

WD N700E Series

Ultimate Control VFD

Superior performance and compact size — this product is ideal for driving fans, blowers, pumps, conveyors, production machines, rock crushers, mixers and grinders, either independently or tied to factory automation.



Voltage & HP Ranges

- 240 V Single-Phase 0.5 - 3 hp VT
- 240 V Three-Phase 10 - 125 hp VT
- 240 V Three-Phase 0.5 - 100 hp CT
- 480 V Three-Phase 0.5 - 550 hp VT

Overload Capacity

- 120% Overload for 60 seconds VT
- 150% Overload for 60 seconds CT

Motor Control Modes

- Volts to frequency (V-Hz) and Sensorless Vector

Communications

- Built-in Modbus RTU
- Optional Ethernet/IP & Modbus/TCPIP

Protection

- NEMA 1/IP20 with Conduit Box Option

WDG2 Series

General Purpose VFD

Incorporating enhanced functionality, integrated speed potentiometer, and optional remote keypad and communications cards, the NEW WorldDrive WDG2 is the right choice for most general-purpose applications.



Voltage & HP Ranges

- 230 V Three-Phase 0.75 - 30 hp VT
- 230 V Three-Phase 0.5 - 30 hp CT
- 460V Three-Phase 0.5 - 30 hp CT
- 460V Three-Phase 0.75 - 40 hp VT

Overload Capacity

- 120% Overload for 60 seconds VT
- 150% Overload for 60 seconds CT

Motor Control Modes

- Volts to frequency (V-Hz), slip compensation, and sensorless vector control

Communications

- Modbus RTU
- Optional EtherNet/IP or Modbus/TCPIP

Protection

- NEMA 1/IP20 with Conduit Box Option

Interface & Communication Cards

- EtherNet/IP
- Modbus TCP/IP
- Modbus RTU
- PROFINET
- PROFIBUS
- DeviceNet
- Netbiter EtherNet/Cellular



Please Note: Refer to our catalog for communication option availability for specific VFD and soft starters

Gear Reducers

Helical Bevel Gear Reducers

The KHN and KAN Series deliver a broad range of power and output torque to support a wide array of applications. A standard NEMA quill input design simplifies the task of retrofitting as it is universally compatible with any C-Face motor. The KHN Series gear reducer features a foot-mounted design while the KAN Series reducer is available with a torque arm or flange mounted design.



- Box sizes 37 to 97 | ¾ to 30 hp
- 2:1 to 120:1 ratios
- All cast iron housings and hollow output bores
- NEMA C-Face, no coupling required
- Two-year warranty
- Drop-in compatibility to most major European brands

Helical Inline Gear Reducers

Delivering a broad array of output torque and speed, the WINL Series are engineered to support a wide range of applications including fans, pumps, conveyors, material handling equipment, packaging machines, and textile machinery.



- Box sizes 37 to 107 | ¼ to 100 hp
- 2:1 to 120:1 ratios
- NEMA C-Face, no coupling required
- Two-year warranty
- Dimensionally equivalent to European R Series brand

Parallel Shaft Helical Gear Reducers

The FHN Series offer universal compatibility with NEMA C-face motors, a hollow bore output, and a broad range of power and output torques support many industrial process applications.



- Box sizes: 37-97 | ¼ hp to 25 hp
- 4:1 to 180:1 ratios
- All cast iron housings
- 20rMo alloy steel gears reduce stress, corrosion and noise
- Powerlock option available
- Two-year warranty
- Drop-in compatibility with most major European-produced reducer brands

Shaft Mount Reducers

Our Shaft Mount Gear Reducers offer quality and dependability and can directly replace existing equipment (e.g. Dodge® TXT™, HYDROIL, SCXT) They are commonly used to transmit power to conveyors and material handling equipment.



- The *Original*, *Eliminator* and *Ultimate* Reducers
- Box sizes 2-12
- 9:1, 15:1, 25:1 ratios
- Industrial grade all cast iron housings
- Tapered bushing type (bushing not included)
- 1-15/16" to 5-7/16" hollow output bores
- Premium quality ball and tapered bearings
- Metal reinforced double lip, spring loaded oil seals
- Two-year warranty
- *Original* is dimensionally equal to TXT Series

Worm Gear Reducers

Our Worm Gear Reducers replace existing equipment with quality and dependability. Worm gear reducers are among the most compact and least expensive options among gear reducers, used to reduce input rotational speed and increase output torque in right angle configurations.

Heavy Duty Cast Iron (HdR)

- Box sizes 133 to 325
- 5:1 to 60:1 ratios
- Dimensions and performance equivalent to Boston 700 Series



Lightweight Aluminum (CALM)

- Box sizes 30 to 90
- 7.5:1 to 90:1 ratios
- NEMA & IEC motor input flanges
- Multiple mounting holes for all angle mounts
- Performance matches other major brands



Corrosion Resistant Stainless Steel (SSHdR)

- Box sizes 175 to 325
- 5:1 to 100:1 ratios
- BISSC Certified | IP69K
- Stainless steel bushing kits can be used to adjust the output bore size
- Performance matches other major brands



Gear Reducer Accessories

We offer a complete range of accessories including:

- Single & Double Output Shafts
- Flanges
- Torque Arms
- Screw Conveyor Flange
- Screw Conveyor Drive Shafts
- Backstop Assemblies
- Belt Guards
- Motor Mounts
- Rebuild Kits
- Tapered Bushing Kits
- Breather Plugs



Worldwide
ELECTRIC CORPORATION

Generators

Reliability isn't just a convenience - Its a Lifeline

Exceptional performance and reliability, with consistent power for standby and continuous-duty industrial, marine, irrigation, mobile, or light-tower applications. WorldWide Electric AC synchronous generators, often called generator-ends or alternators, are interchangeable with **Marathon, Stamford® Newage** and **Onan** generators, as well as other generator manufacturers.

Single & Double Bearing

- 4-2100 kW
- Self-ventilated for reliability
- Single-phase or Three-phase
- Single Bearing 60 Hz at 1800 RPM
- Single Bearing 50 Hz at 1500 RPM
- Double Bearing 60 Hz at 1800 RPM

Pancake-style

- Ideal for lighttower applications
- 6 - 8 kW rated to 40°C
- 60 Hz Power at 1800 RPM
- 50 Hz Power at 1500 RPM
- Dual and single frequency options
- Capacitor-controlled voltage regulation



Call WorldWide
(800) 808-2131



*7.5-99 kW
Models Now
Suitable for
50°C Marine
Applications

Discover More Capabilities with Worldwide Electric

2024-2025

Electric Motors Stock Products Catalog

Document No: MD-CAT-10.2024



WORLDWIDE[®]
ELECTRIC CORPORATION

**INCREDIBLE PRICING.
24/7 ONLINE ORDERING.
(OH, AND THEY'RE IN STOCK TOO.)**

Call us today at **(800) 808-2131**
or browse our complete product lines at **worldwideelectric.com**.



worldwideelectric.com

WorldWide Electric Corporation
3540 Winton Place
Rochester, NY 14623

[†]While most products are in stock in one of our distribution centers, certain conditions may lead to temporary stock shortages.

Distribution Centers in Atlanta, GA | Dallas, TX | Hernando, MS | Indianapolis, IN | Milton, PA | Rancho Cucamonga, CA | Seattle, WA | Warrior, AL